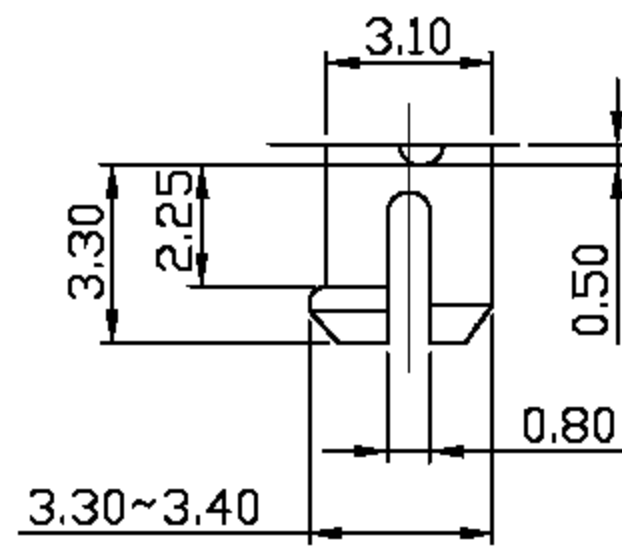
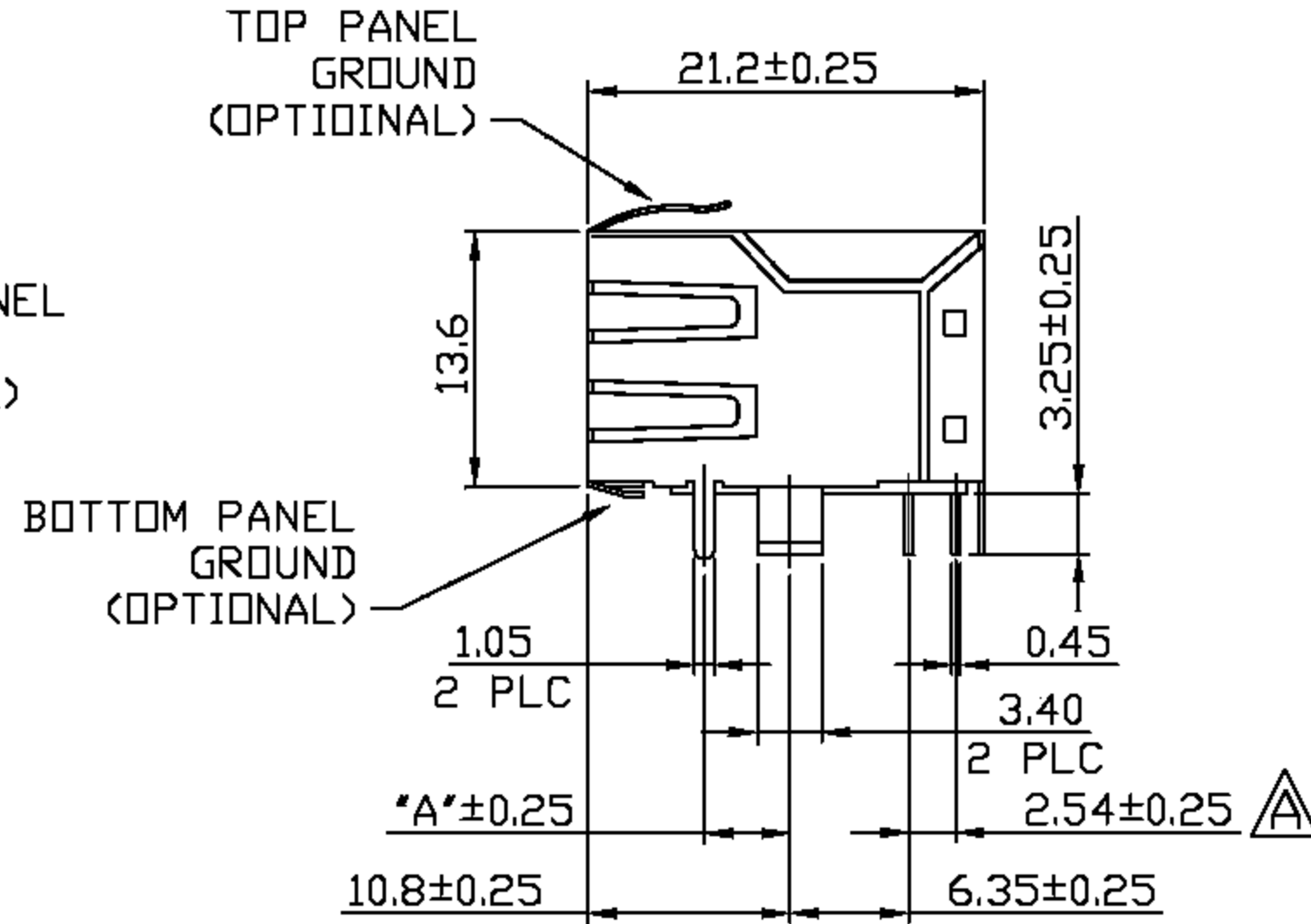
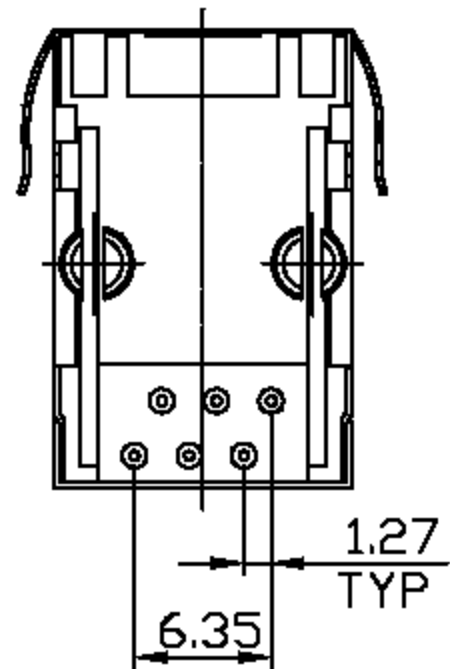
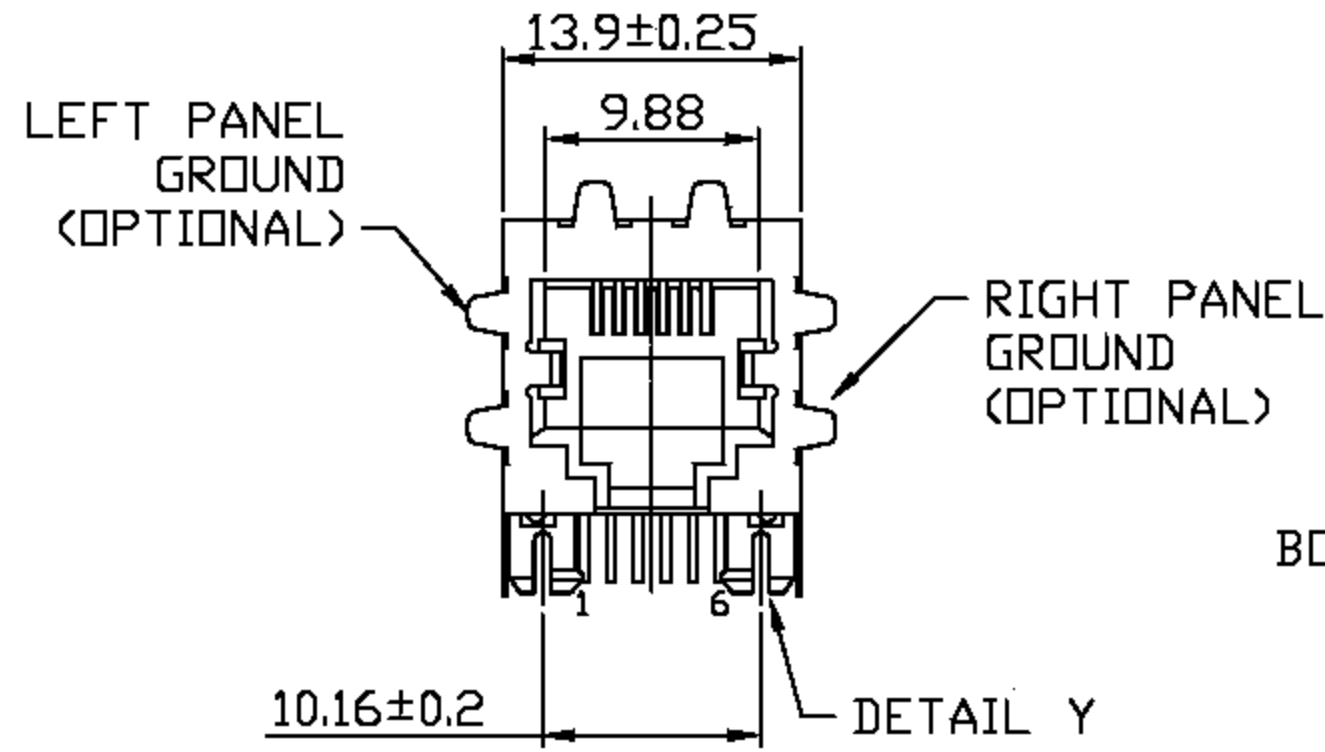
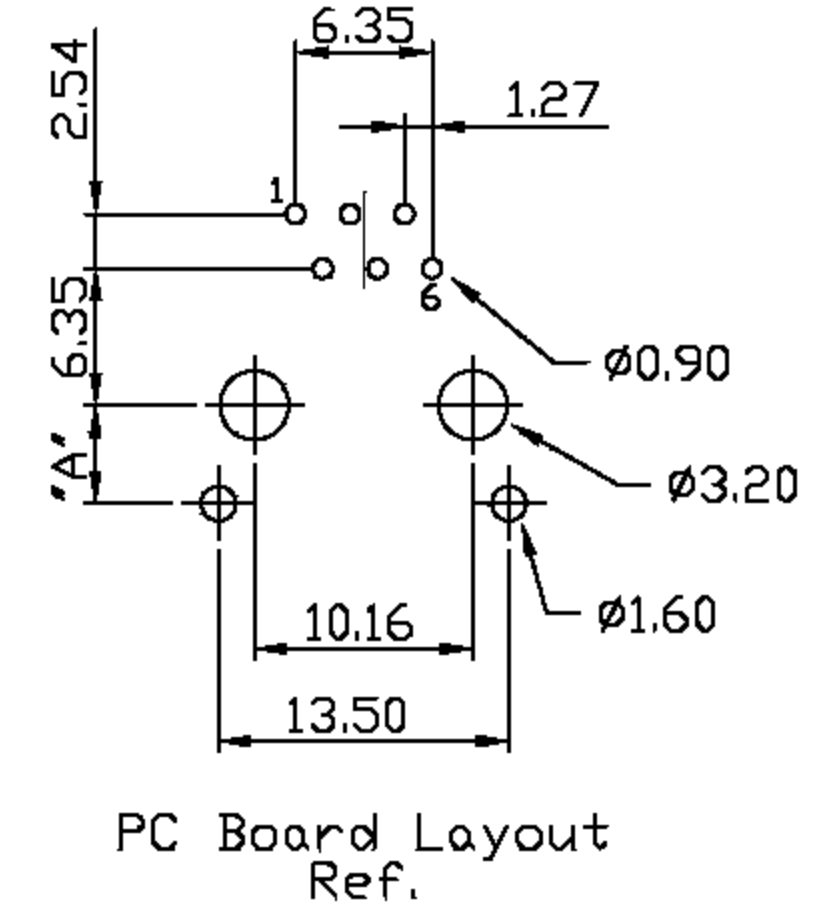


RoHS Compliance



DETAIL Y

REVISIONS			
LTR	DESCRIPTION	DATE	APP
△	2.54±0.25	04/03/'00	CHANG



淮洋有限公司 HUI YANG CO., LTD.
 TEL : 886-2-8261-8986 FAX : 886-2-8261-1885
 www.hy1688.com.tw 236新北市土城區中央路二段191號10樓之5

DO NOT SCALE DRAWING	TOLERANCES UNLESS OTHERWISE NOTED	INCH	MM	DR. <i>CIAN.CI.LUO</i>	DATE AUG-04 '08	TITLE 6POSITION SHIELDED S-P.G. ROUND PIN SIDE ENTRY PCB JACK				
THIRD ANGLE PROJECTION	LINEAR	MM INCH	00 ± .01 000 ± .005 0000 ± .002	CK'D <i>M.CHANG</i>	AUG-04 '08				SCALE	SIZE
MM INCH	ANGLE ± 0° 30'	RADII	+ 0.40 - 0.15	APP'D <i>W.J.YANG</i>	AUG-06 '08	974101	2	1		