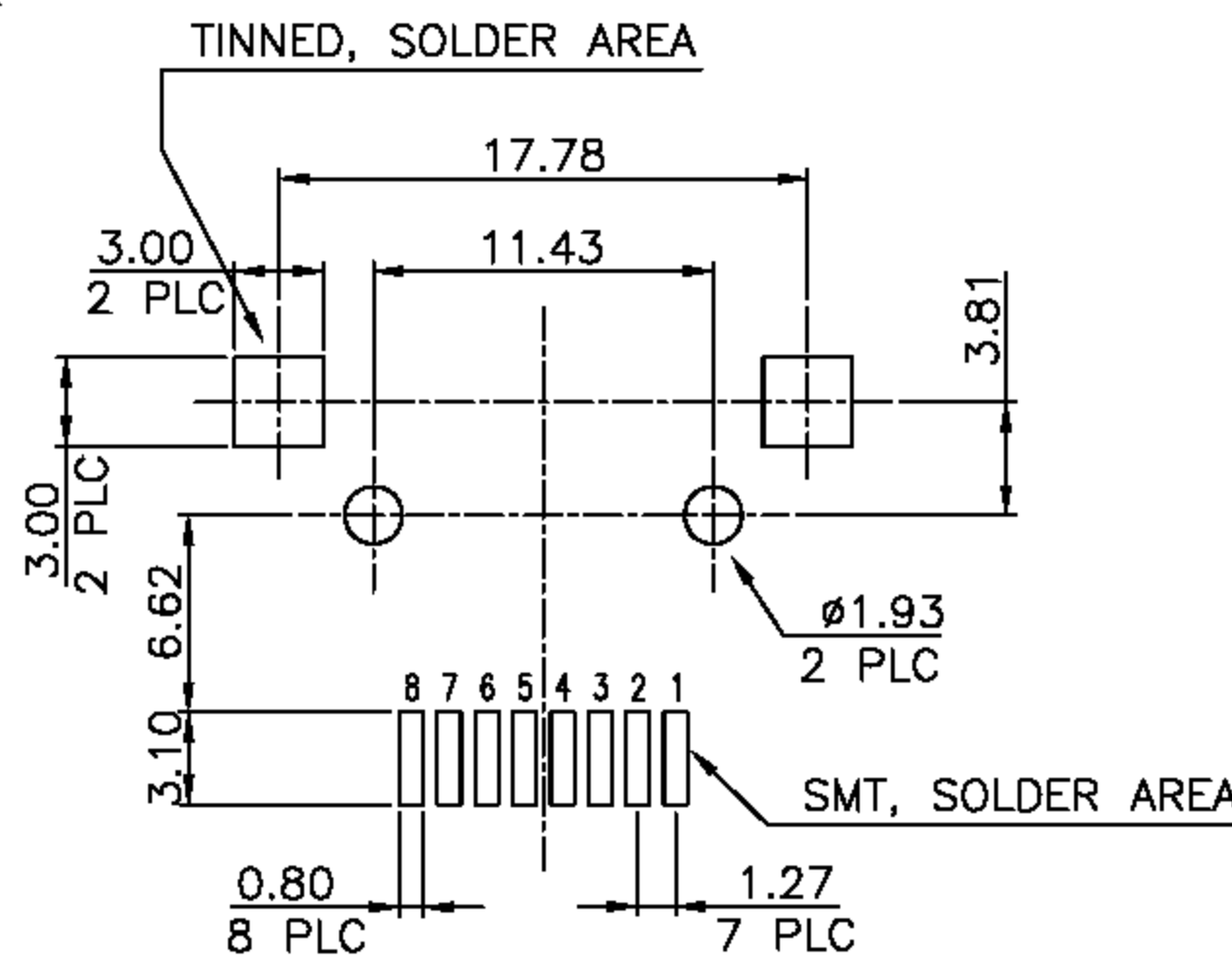
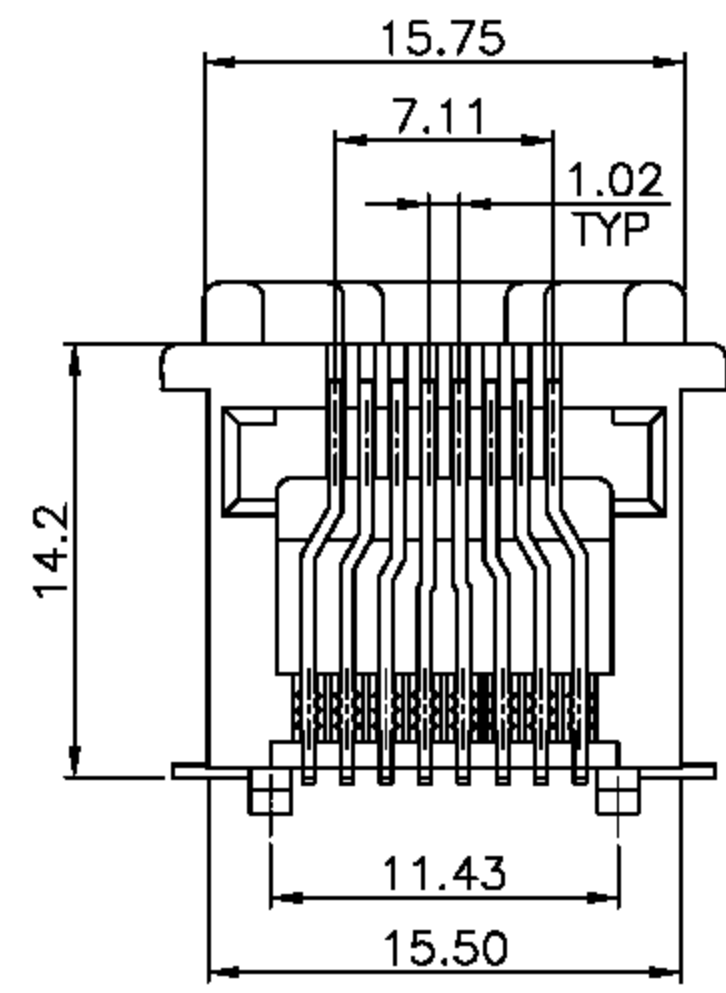
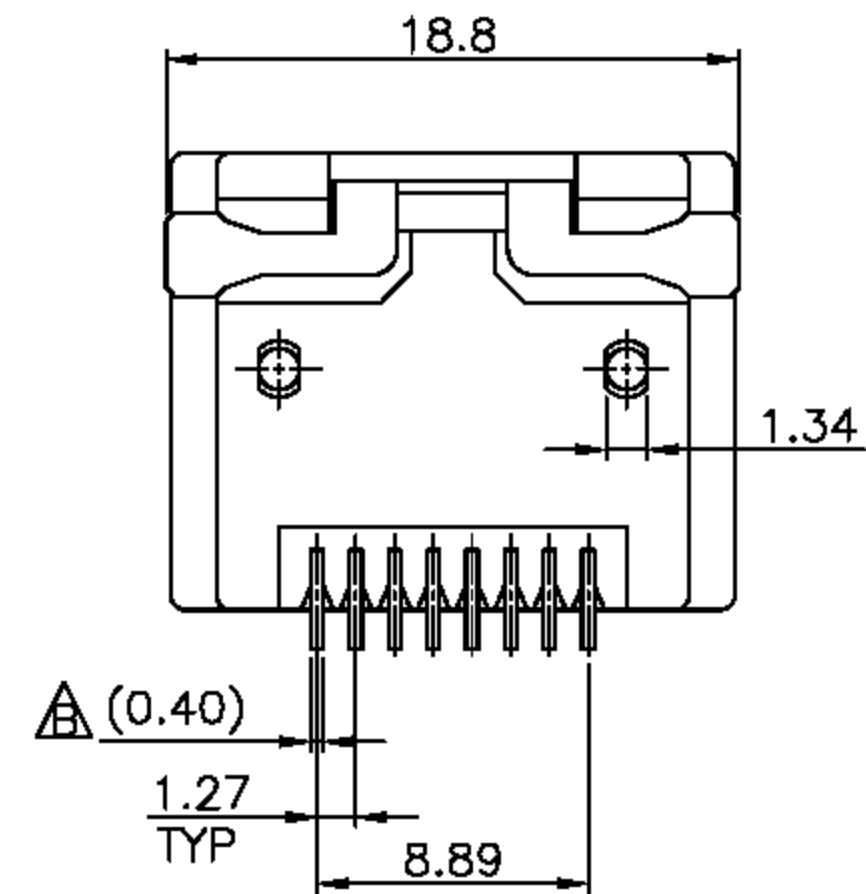
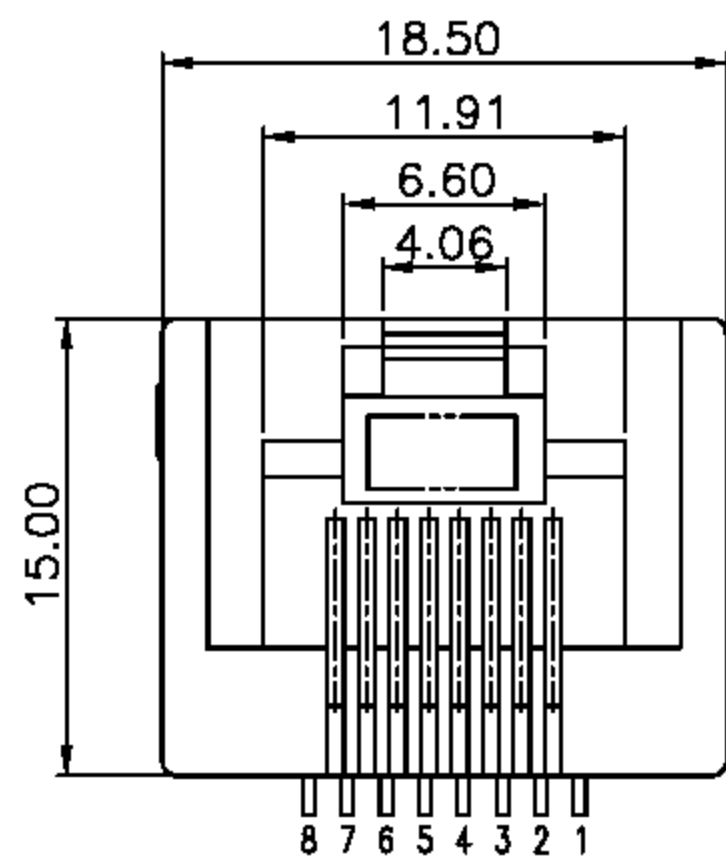
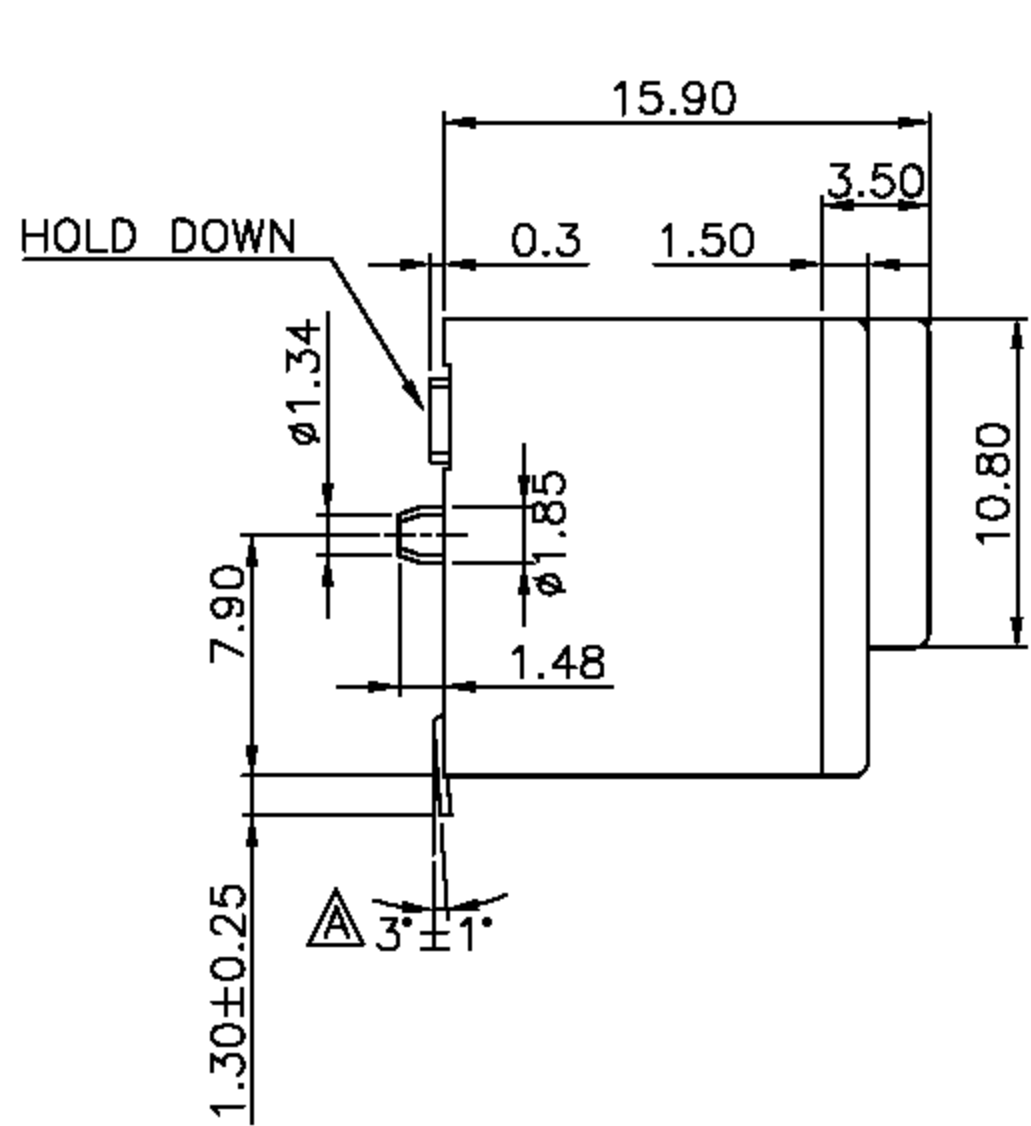


# RoHS Compliance



PCB LAYOUT

REVISIONS			
LTR	DESCRIPTION	DATE	APP
△	86°~90°	12/31/'99	CHANG
△	89°~91°	03/09/'00	CHANG
△	88°~90° 87°~89° Ref.	03/31/'00	CHANG
△		11/14/'06	CHANG

DO NOT SCALE DRAWING	TOLERANCES UNLESS OTHERWISE NOTED	INCH	MM	DR. <i>CIAN.CI.LUO</i>	DATE DEC-24 '08
THIRD ANGLE PROJECTION	LINEAR MM INCH	00 ± .01 000 ± .005 0000 ± .002	0.0 ± 0.25 0.00 ± 0.13 0.000 ± 0.05	CK'D <i>M.CHANG</i>	DEC-24 '08
MM INCH	ANGLE ± 0° 30'	RADII	+ 0.40 - 0.15	APP'D <i>W.J.YANG</i>	DEC-25 '08

淮洋有限公司 HUI YANG CO., LTD. TEL : 886-2-8261-8986 FAX : 886-2-8261-1885 www.hy1688.com.tw 236新北市土城區中央路二段191號10樓之5					
TITLE RJ45, TOP ENTRY JACK SMT TYPE					
SCALE	SIZE	DWG.NO.	REV.	SHEET	
		973901	8	1	