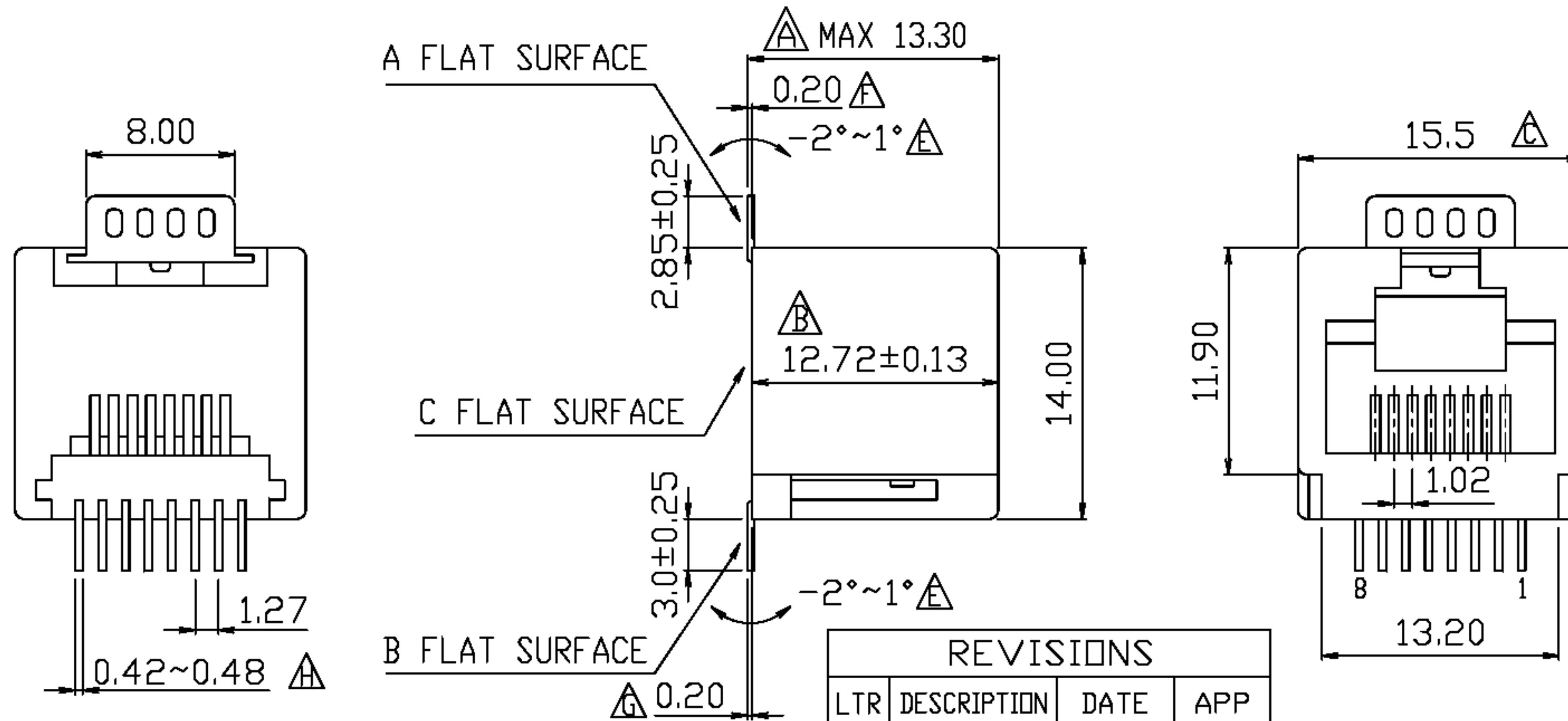
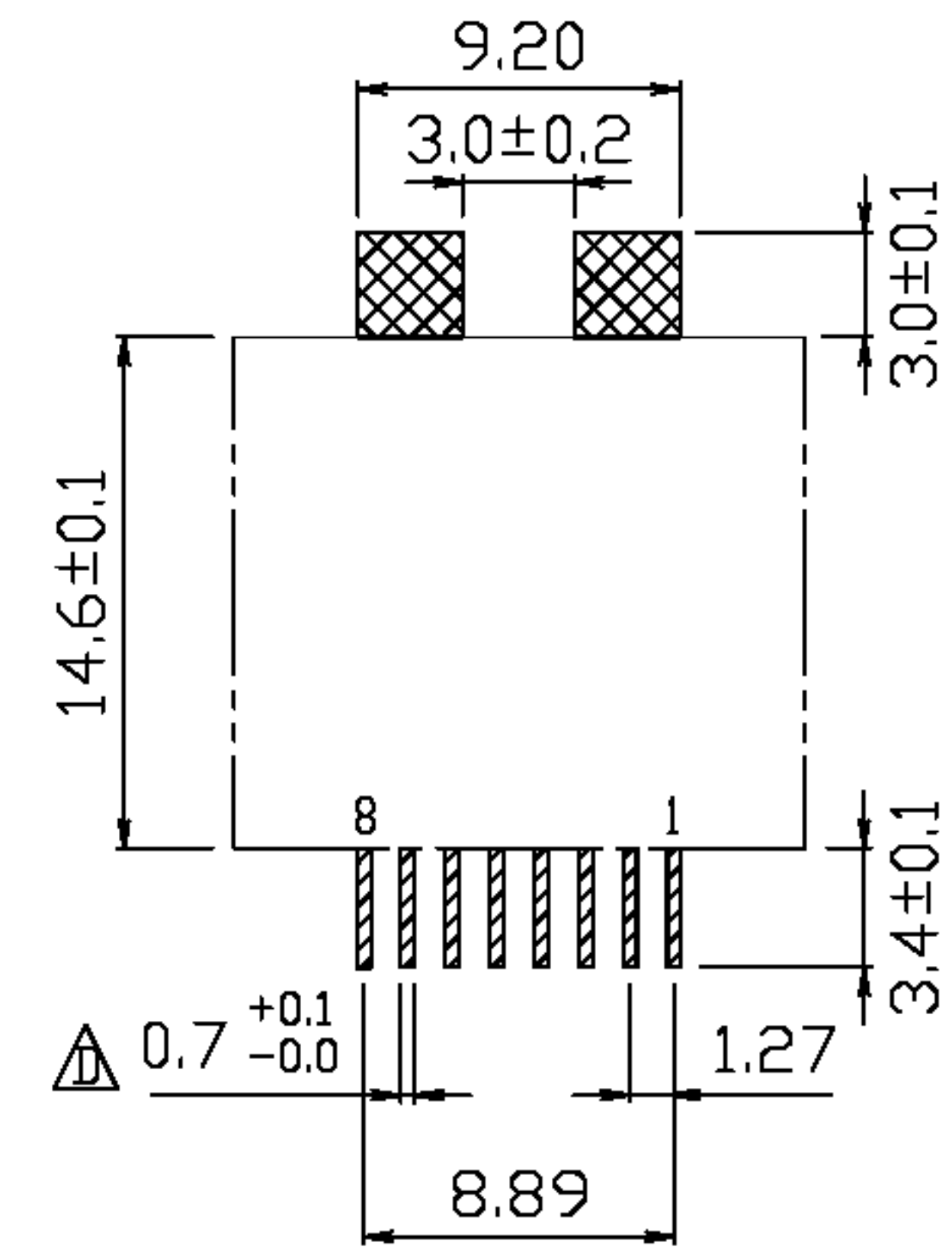


# RoHS Compliance



- NOTE:
1. A AND B HIGHEST POINT MUST OVER C FLAT SURFACE.
  2. THE MAXIMUM DISTANCE (0.15m/m) BETWEEN LOWEST AND HIGHEST ON A AND B FLAT SURFACE.

REVISIONS			
LTR	DESCRIPTION	DATE	APP
△	12.80±0.1	05/20/'00	CHANG
△	12.80	05/20/'00	CHANG
△	15.50	09/08/'06	CHANG
△	0.6 <sup>+0.1</sup> <sub>-0.0</sub>	03/27/'07	CHANG
△	±2°	03/27/'07	CHANG
△	ADD	03/27/'07	CHANG
△	ADD	03/27/'07	CHANG
△	ADD	03/27/'07	CHANG



PCB LAYOUT Ref.

淮洋有限公司 HUI YANG CO., LTD.  
 TEL : 886-2-8261-8986 FAX : 886-2-8261-1885  
 www.hy1688.com.tw 236新北市土城區中央路二段191號10樓之5

DO NOT SCALE DRAWING	TOLERANCES UNLESS OTHERWISE NOTED	INCH	MM	DR. CIAN. CI. LUO	DATE DEC-24 '08
THIRD ANGLE PROJECTION	LINEAR	00 ± .01 000 ± .005 0000 ± .002	0.0 ± 0.25 0.00 ± 0.13 0.000 ± 0.05	CK'D M. CHANG	DEC-24 '08
MM INCH	ANGLE ± 0° 30'	RADII	+ 0.40 - 0.15	APP'D W. J. YANG	DEC-25 '08

TITLE		8 POSITION TOP ENTRY SMT TYPE W/O BOARD LOCK PCB JACK	
SCALE	SIZE	DWG.NO.	REV. SHEET
		973803	10 1