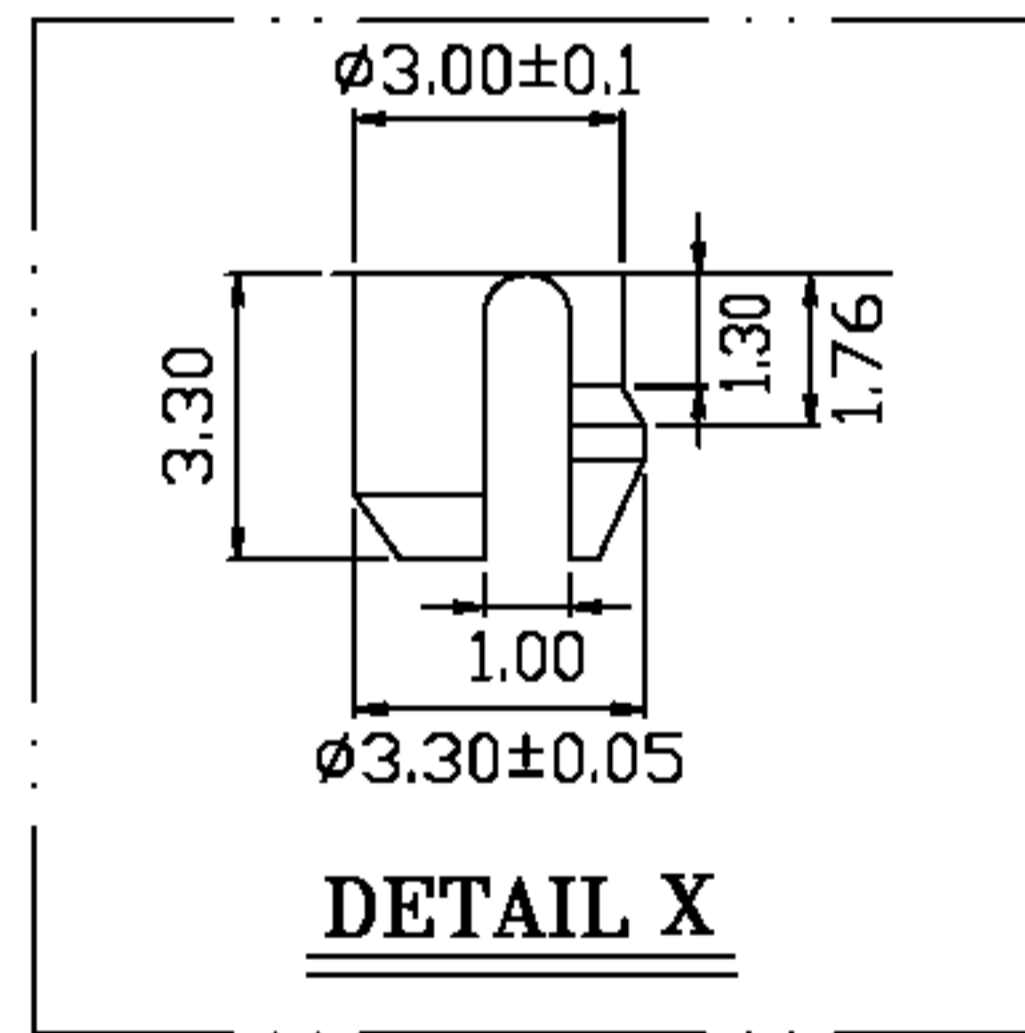
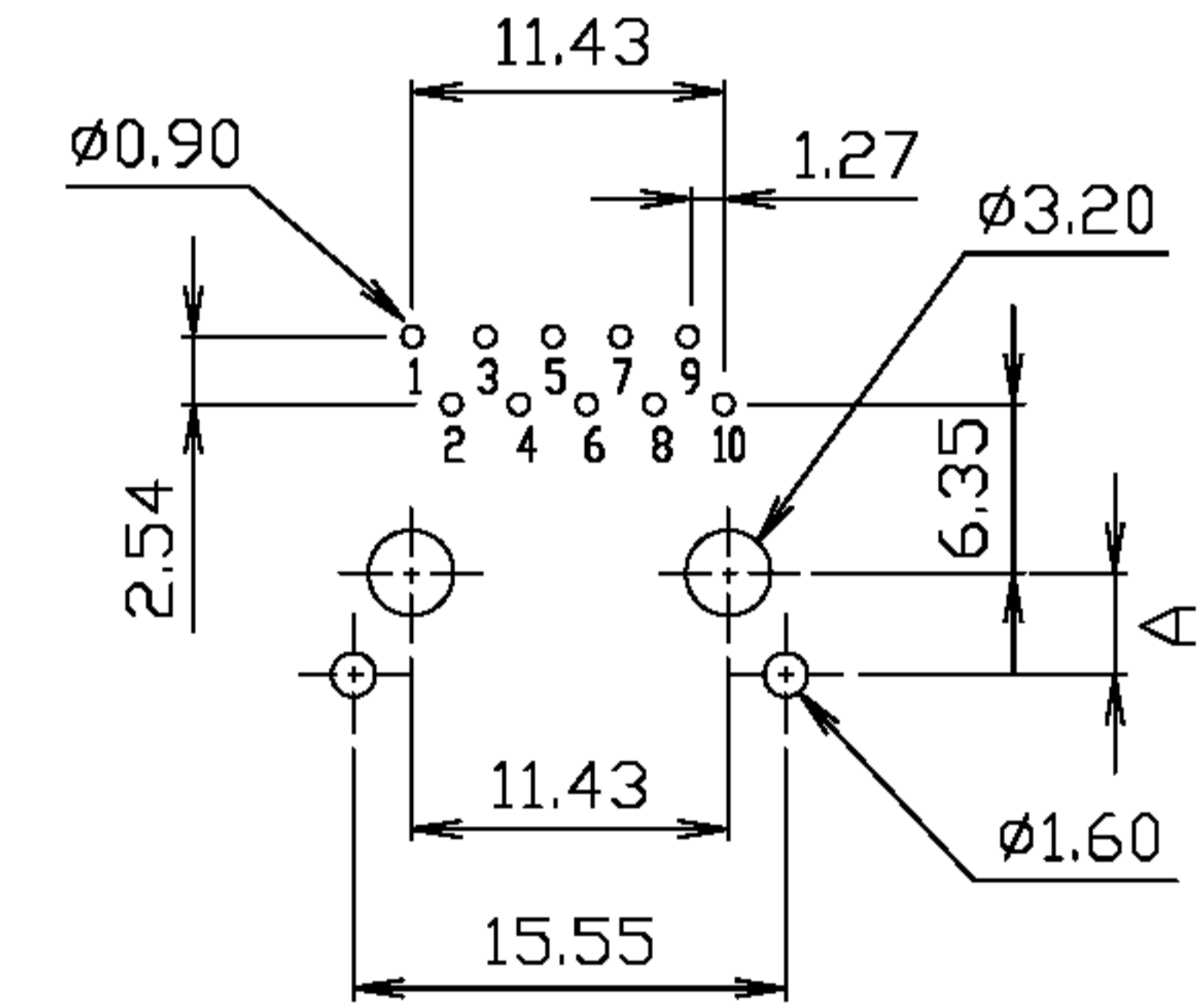
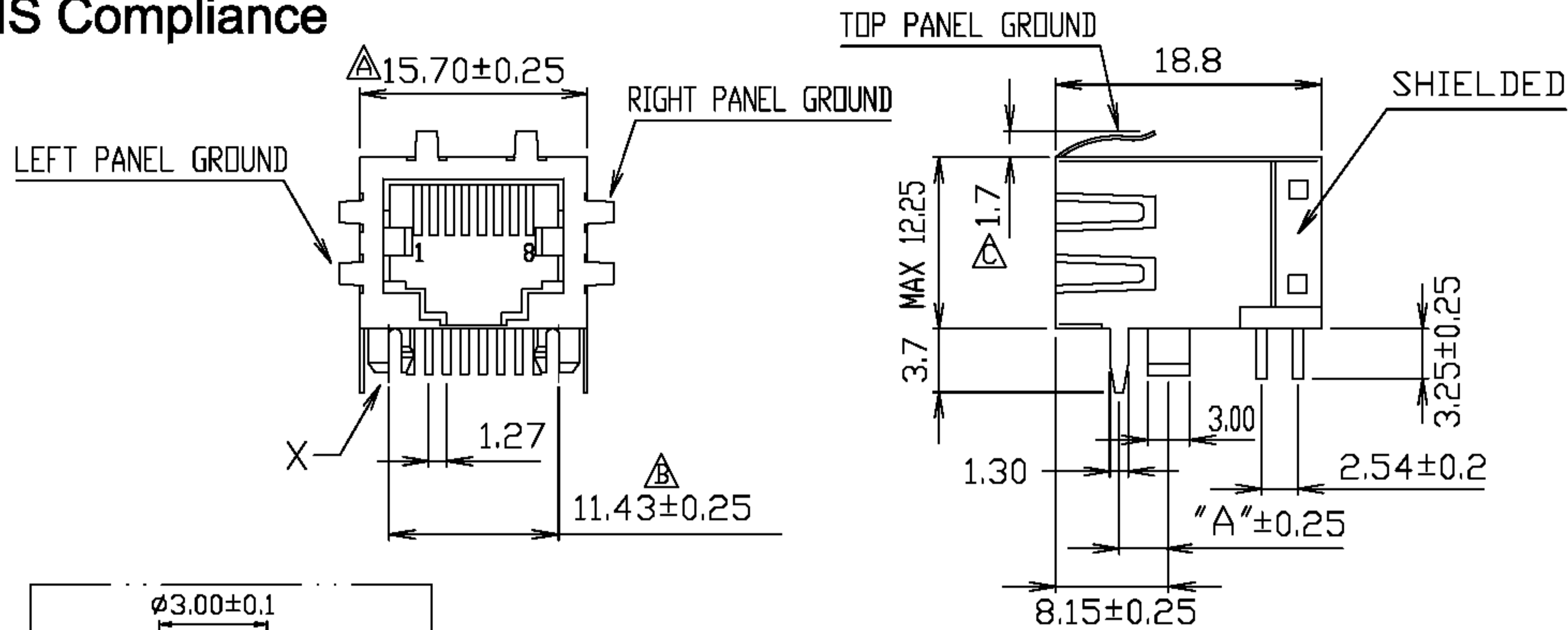
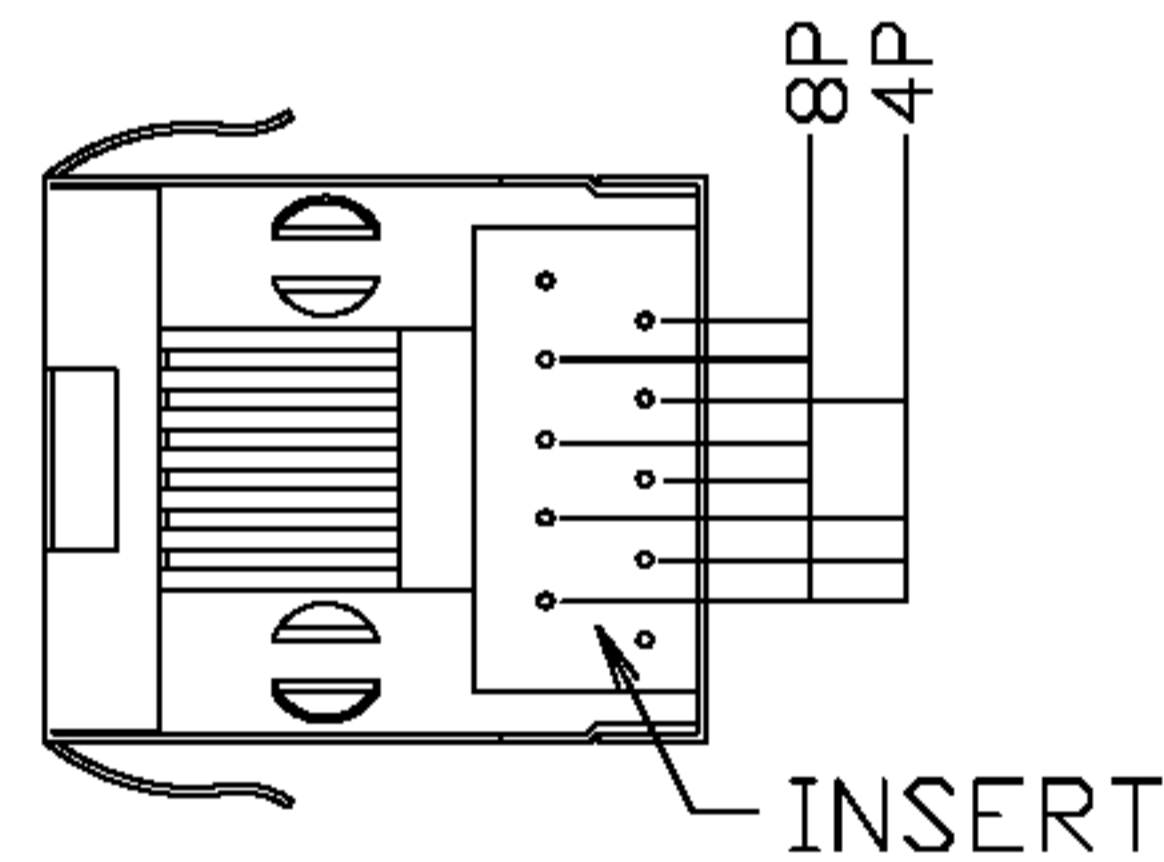


RoHS Compliance



REVISIONS			
LTR	DESCRIPTION	DATE	APP
△	16.20±0.25	12/31/'08	CHANG
△	CAR 11.43	01/22/'09	CHANG
△	FAI 1.50	12/17/'09	CHANG



PC Board Layout Ref.

淮洋有限公司 HUI YANG CO., LTD.
 TEL : 886-2-8261-8986 FAX : 886-2-8261-1885
 www.hy1688.com.tw 236新北市土城區中央路二段191號10樓之5

DO NOT SCALE DRAWING	TOLERANCES UNLESS OTHERWISE NOTED	INCH	MM	DR. CIAN.CI.LUO	DATE AUG-11 '10	TITLE 10POSITION SIDE ENTRY, FLAT PIN VERY LOW PROFILE, SHIELDED PCB JACK					
THIRD ANGLE PROJECTION	LINEAR	MM INCH	00 ± .01 000 ± .005 0000 ± .002	0.0 ± 0.25 0.00 ± 0.13 0.000 ± 0.05	CK'D M.CHANG				AUG-11 '10	SCALE	SIZE
MM INCH		RADII	+ 0.40 - 0.15	APP'D W.J. YANG	AUG-11 '10	973601				9	1