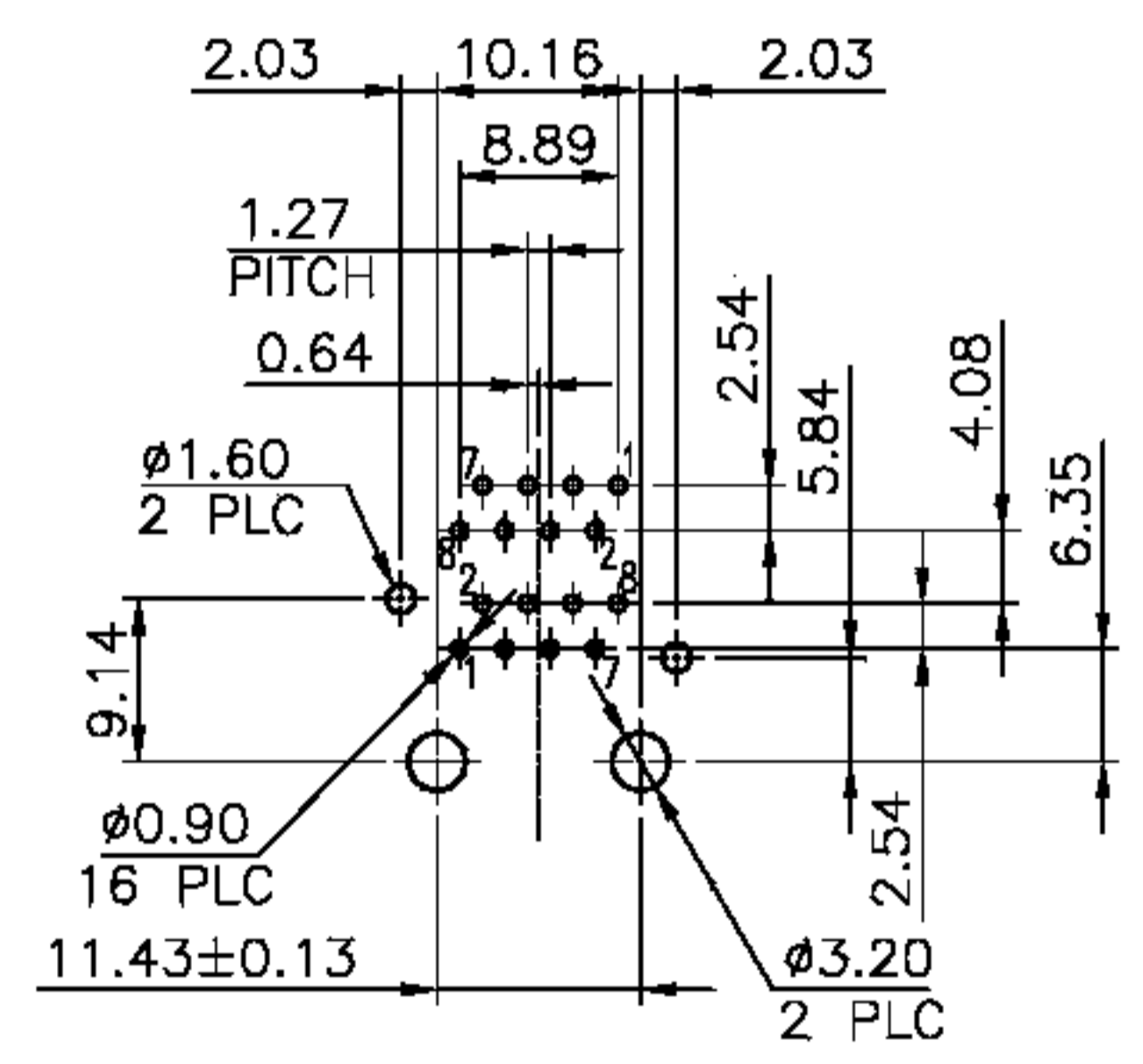
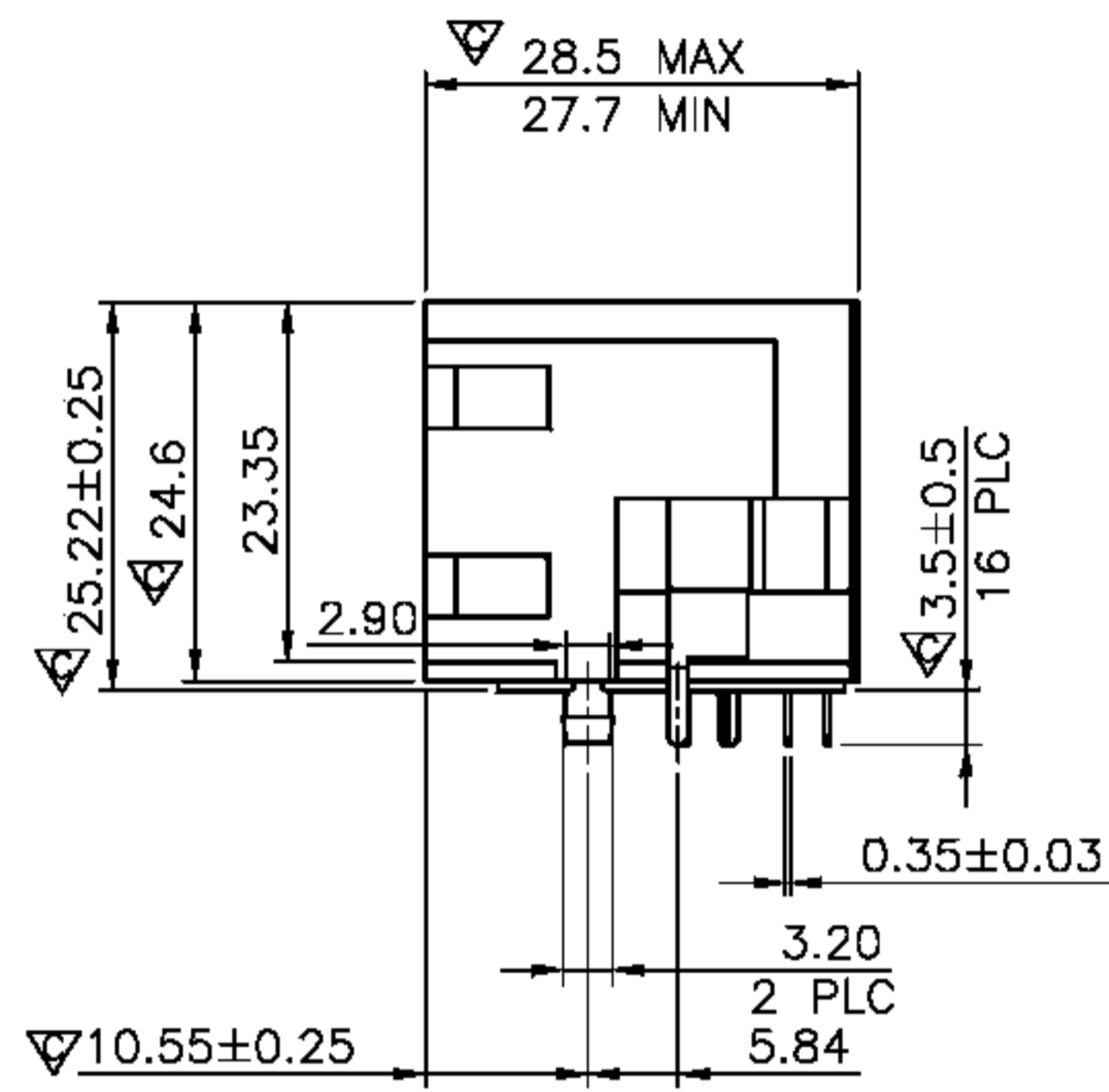
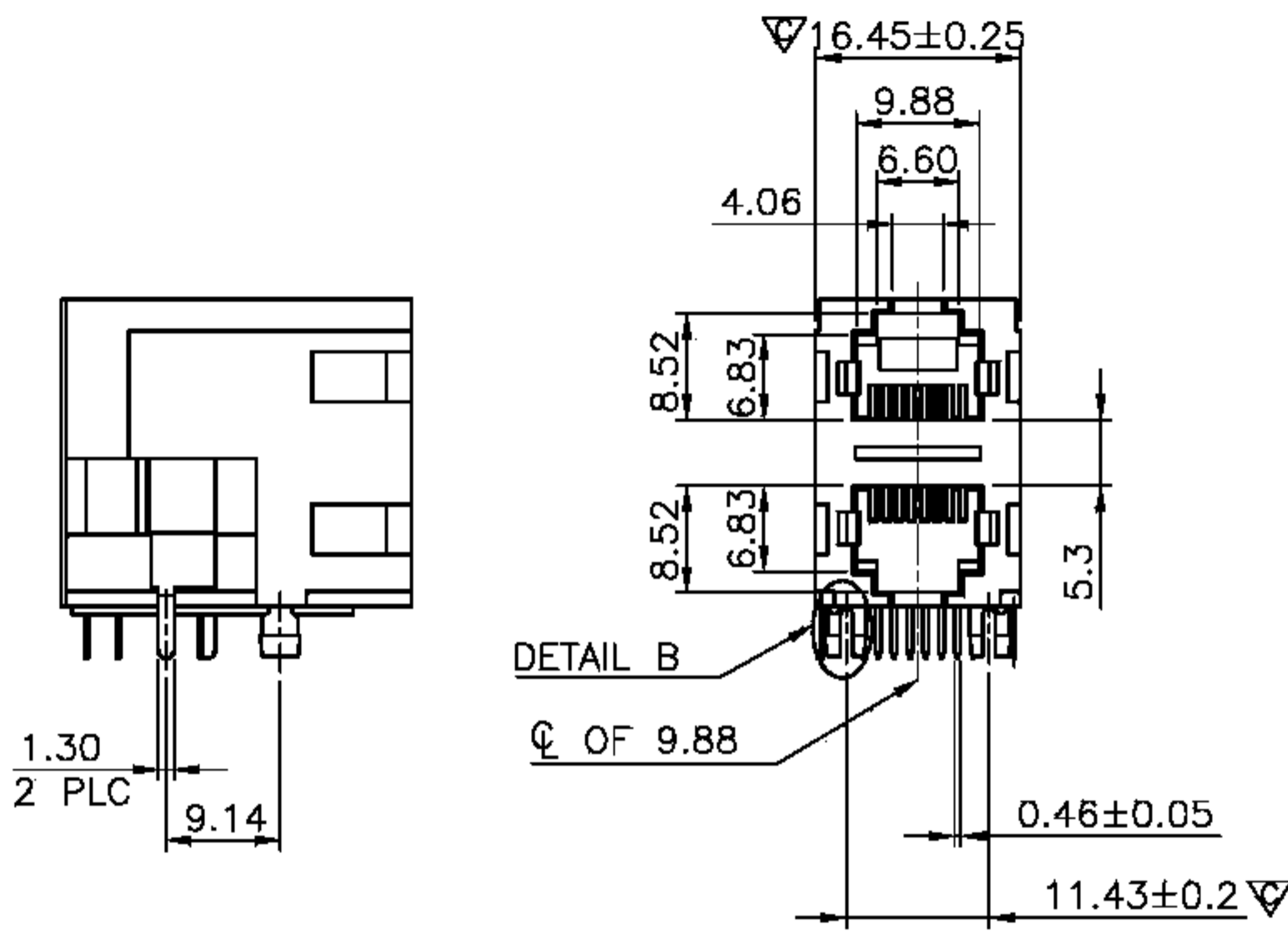
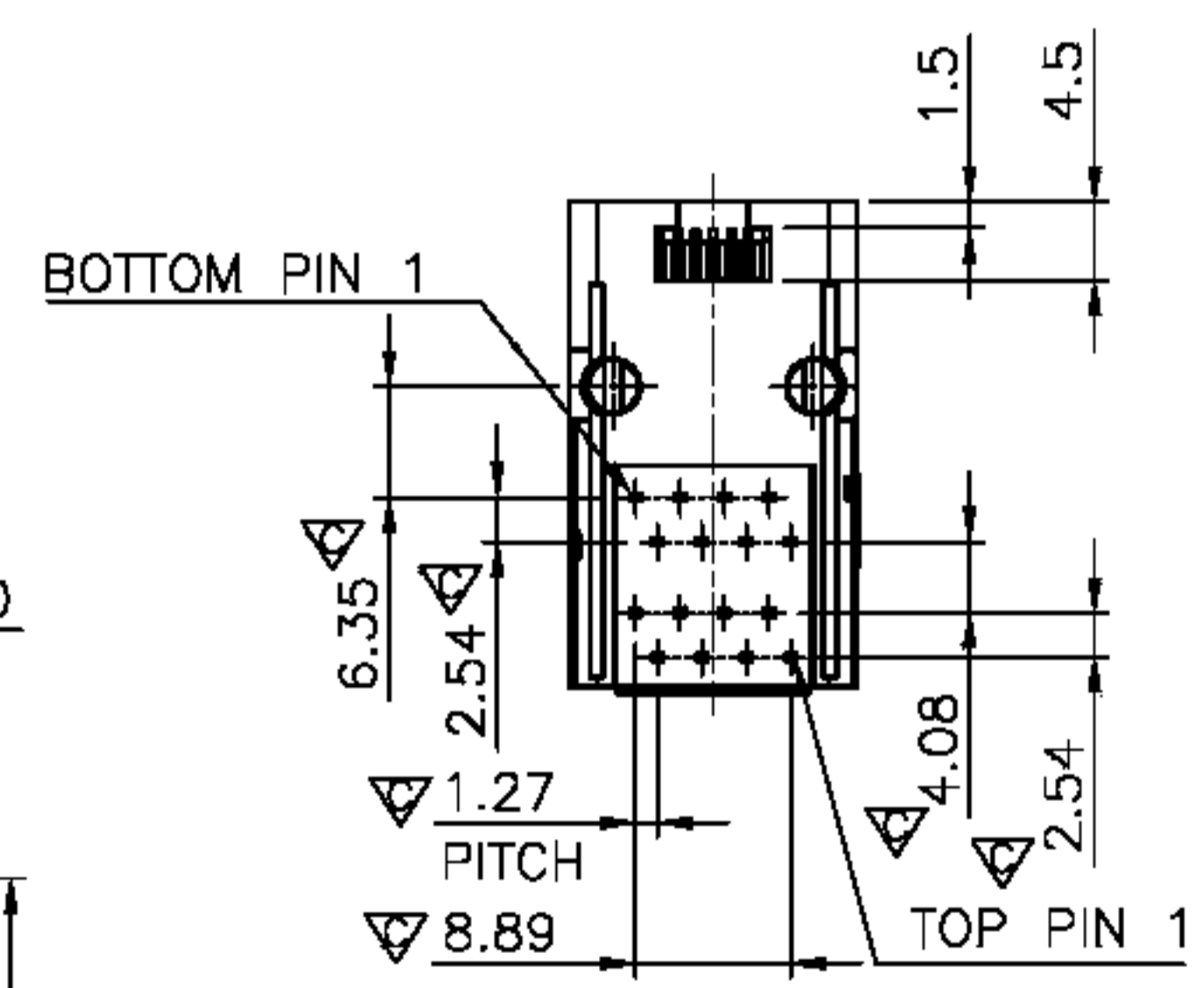
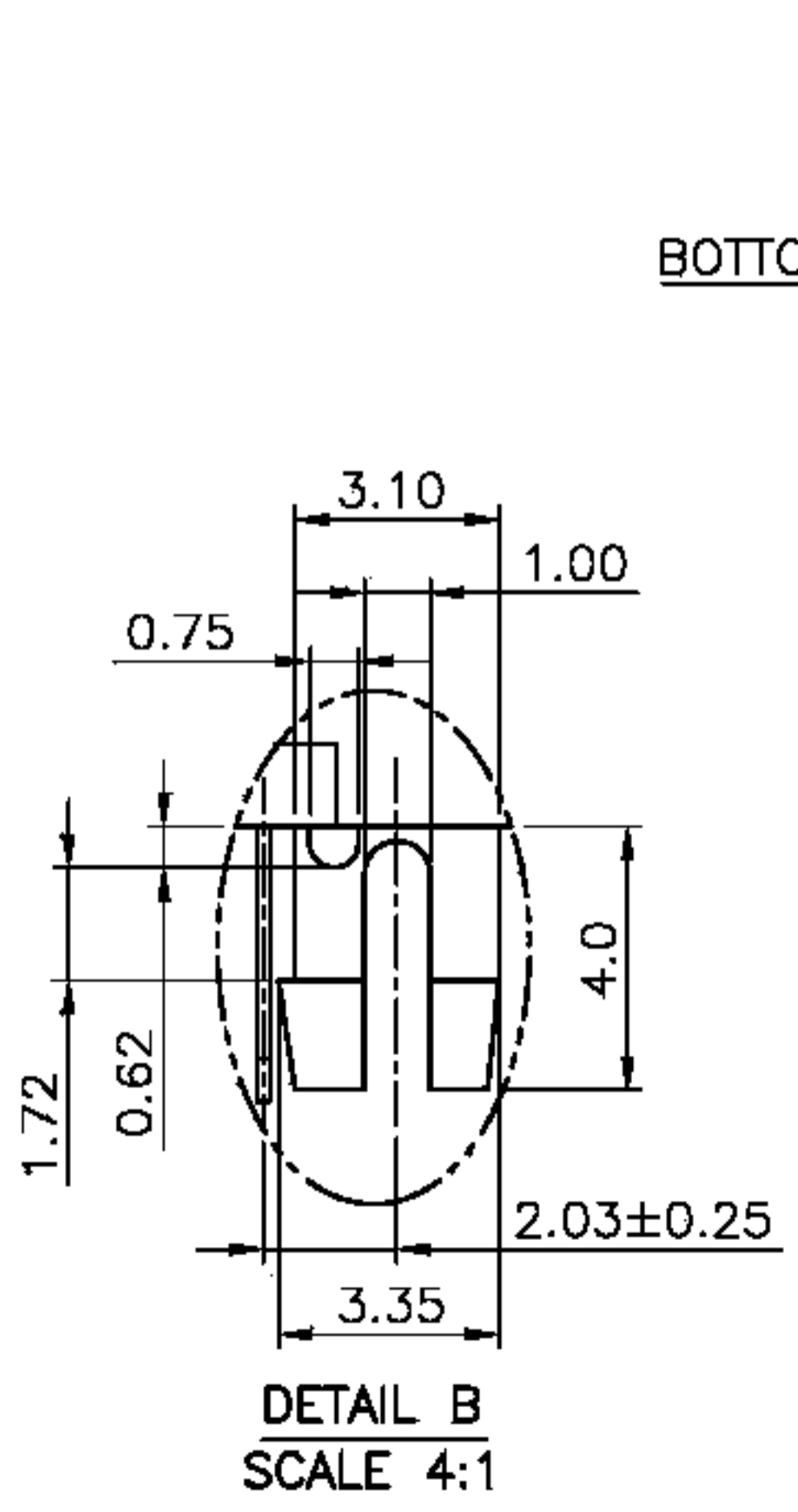


RoHS Compliance



RECOMMENDED PCB LAYOUT
RECOMMENDED PCB THICKNESS: 1.6mm
TOLERANCE: ±0.05 (TOP VIEW)



LTR	DESCRIPTION	DATE	APVD
REVISIONS			

THIS DRAWING IS A CONTROLLED DOCUMENT. DO NOT SCALE DRAWING.	
DIMENSIONS: MM	TOLERANCES UNLESS OTHERWISE SPECIFIED:
	0 PLC ± - 1 PLC ± 0.25 2 PLC ± 0.13 3 PLC ± 0.05 ANGLES ± -
THIRD ANGLE PROJECTION	
MATERIAL SEE NOTES	FINISH SEE NOTES
DWN A.HUANG	DATE AUG-24-2010
CHK M.CHANG	AUG-24-2010
APVD W.J.YANG	AUG-25-2010

淮洋有限公司 HUI YANG CO.,LTD. TEL : 886-2-8261-8986 FAX : 886-2-8261-1885 www.hy1688.com.tw 236新北市土城區中央路二段191號10樓之5		
TITLE 2X1 (2PORTS), RJ45, RIGHT ANGLE PCB JACK		
SIZE A3	CAUGE CODE -	DRAWING NO 973306
WEIGHT -	GRAMS Ref.	REV 1 SHEET 1