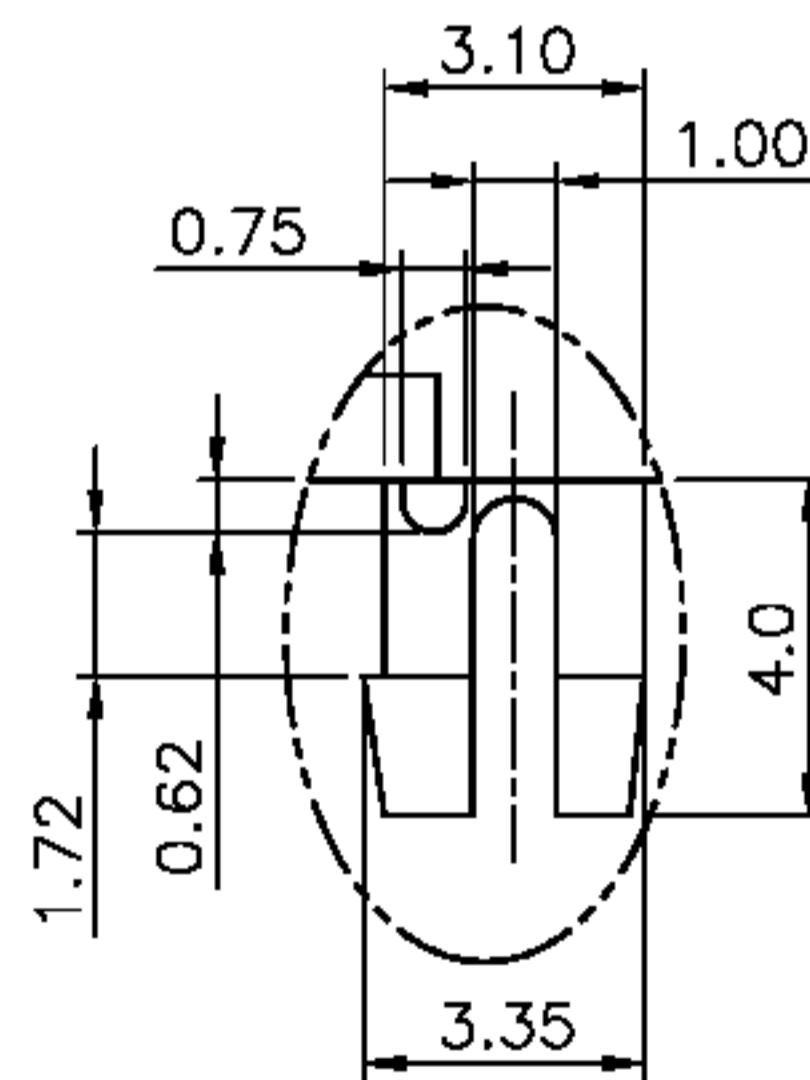
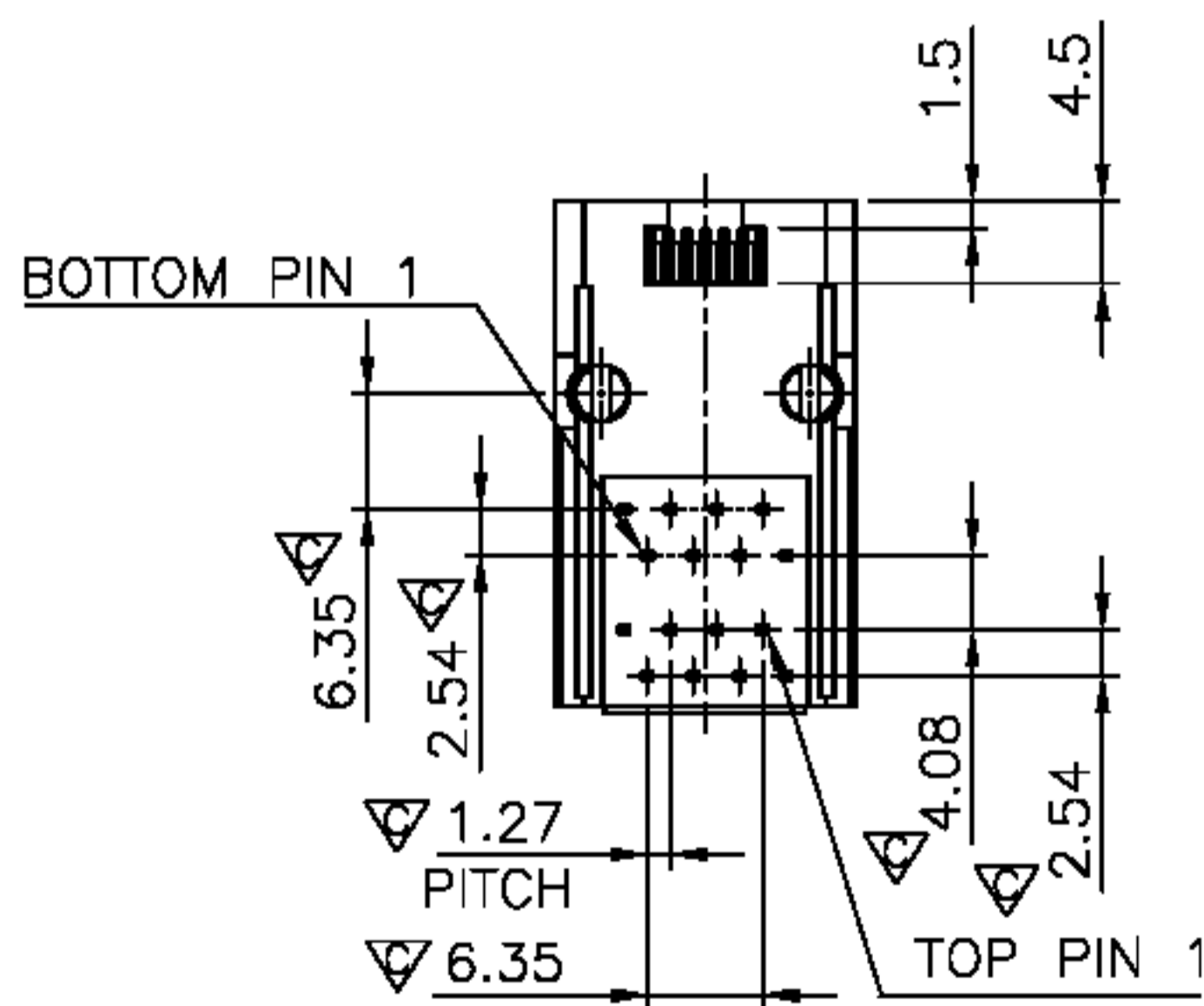
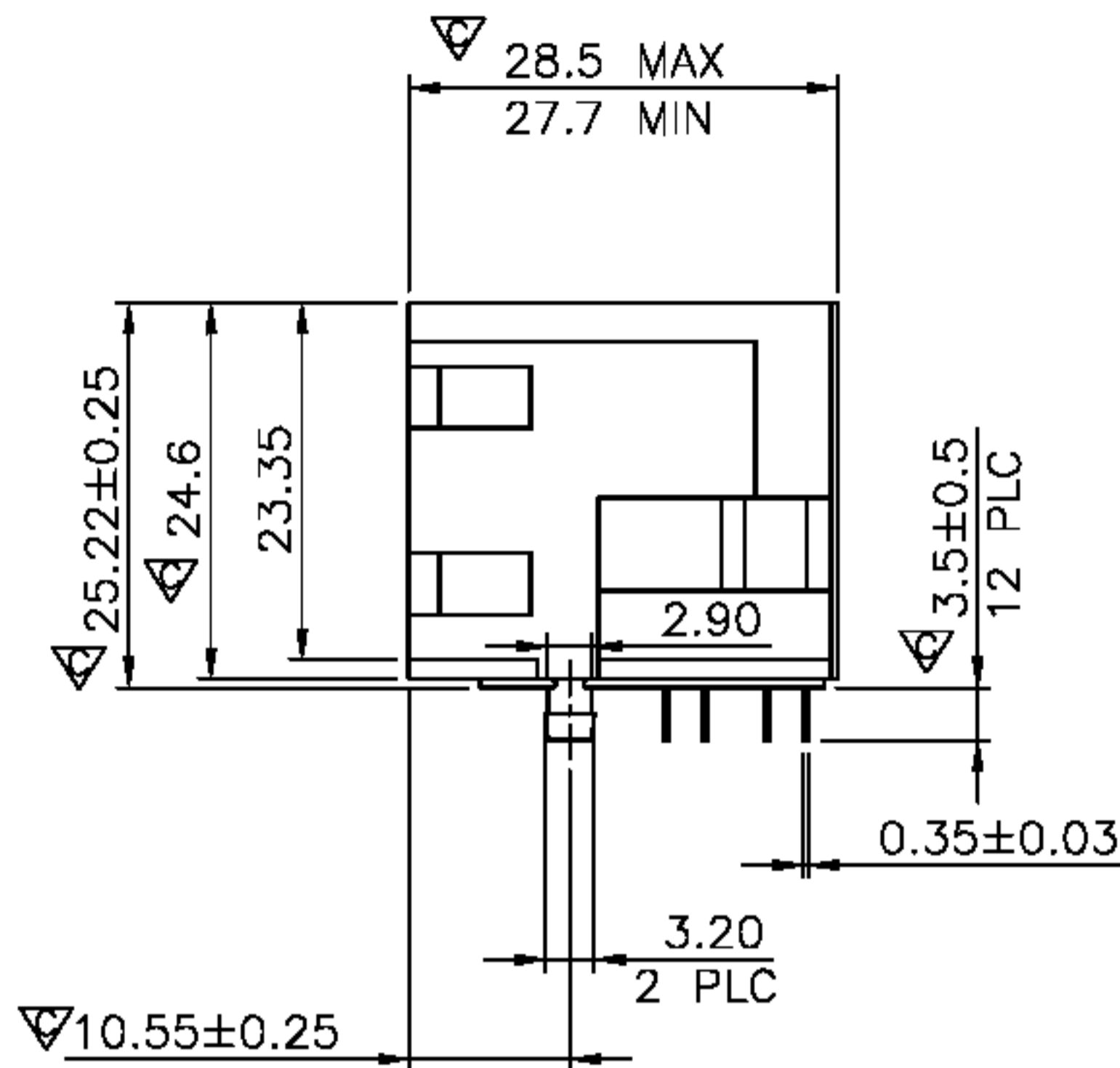
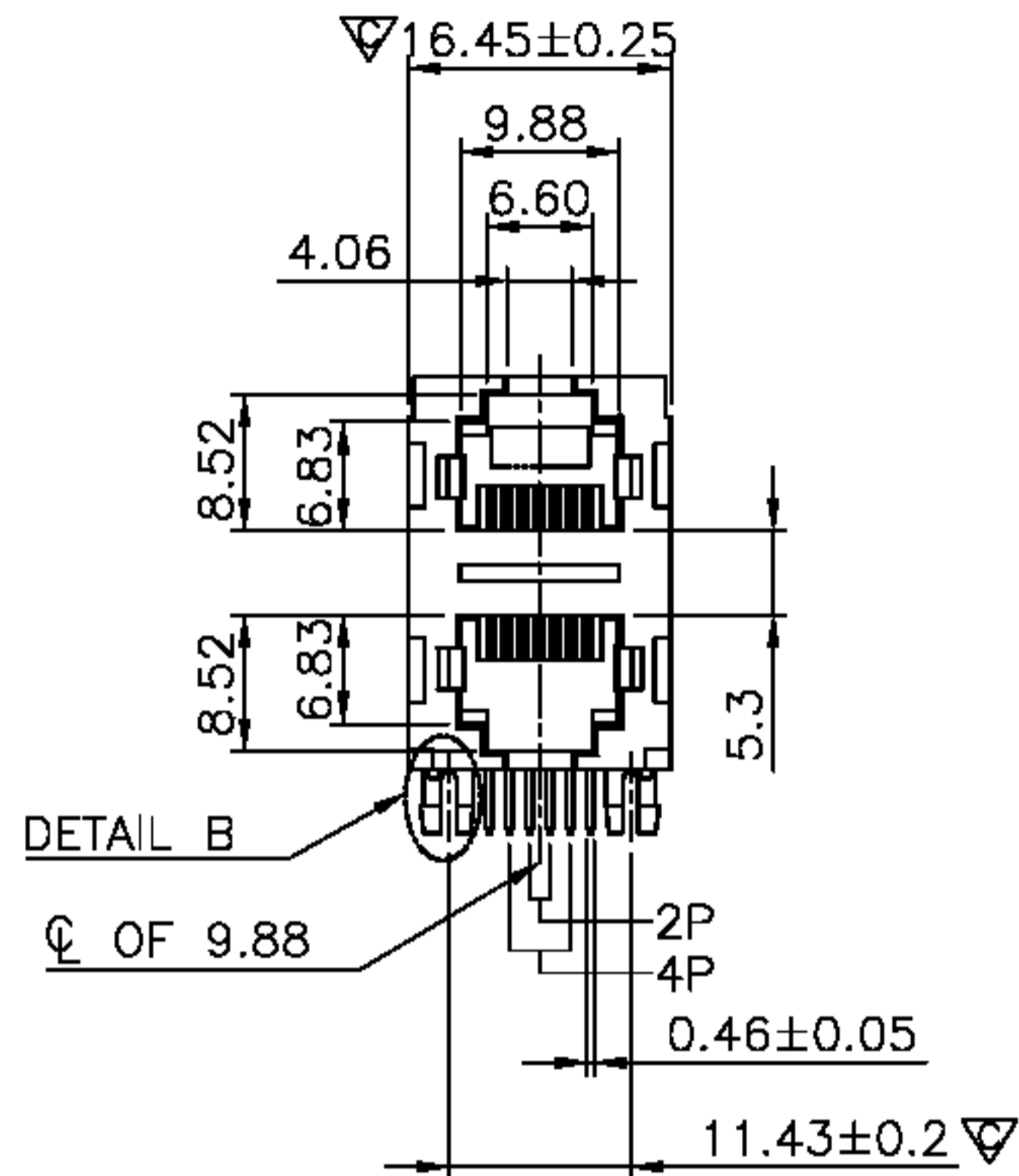
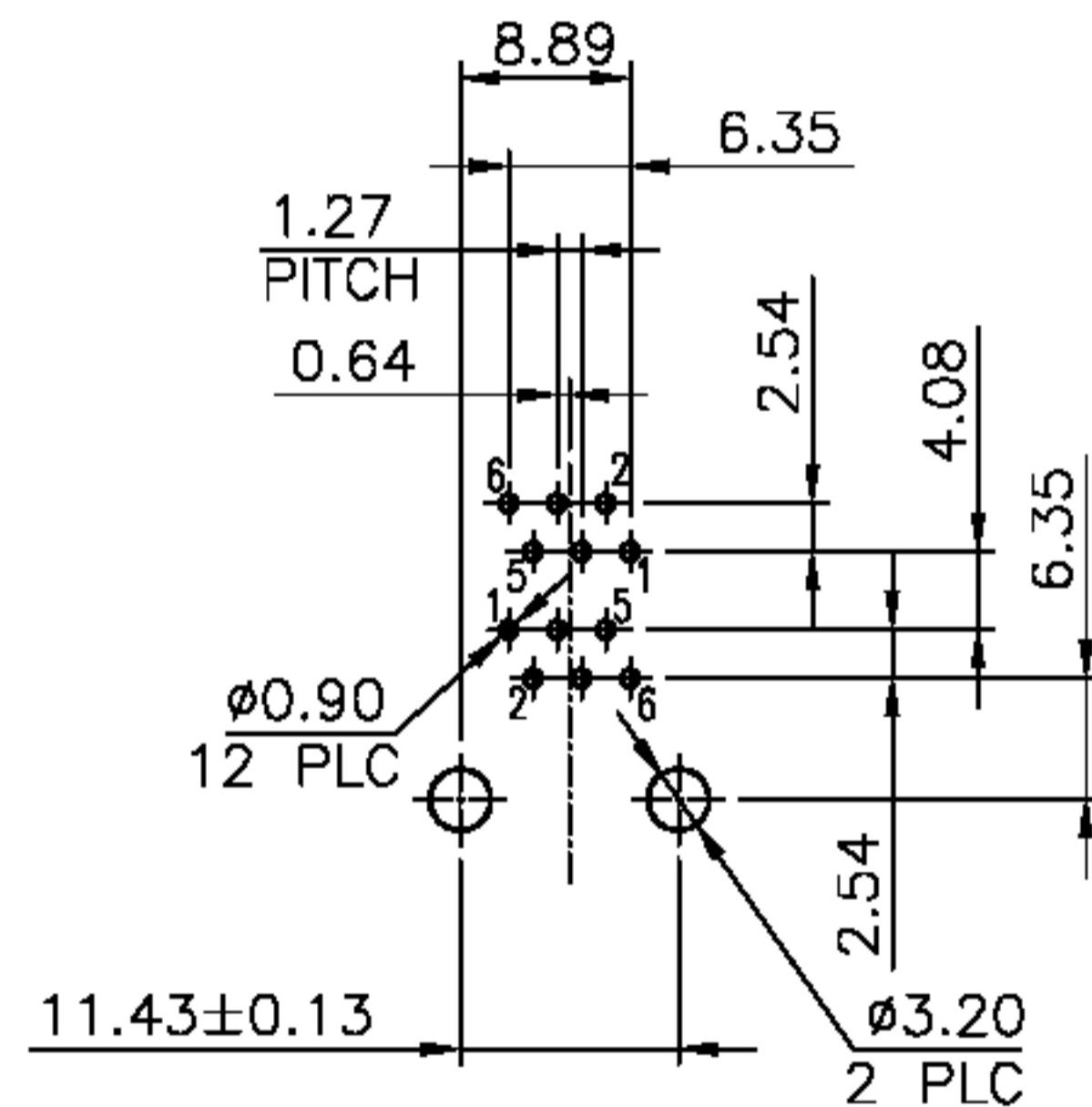


RoHS Compliance



DETAIL B
SCALE 4:1



RECOMMENDED PCB LAYOUT
RECOMMENDED PCB THICKNESS: 1.6mm
TOLERANCE: ±0.05 (TOP VIEW)

LTR	DESCRIPTION	DATE	APVD
REVISIONS			

THIS DRAWING IS A CONTROLLED DOCUMENT. DO NOT SCALE DRAWING.	
DIMENSIONS: MM	TOLERANCES UNLESS OTHERWISE SPECIFIED:
	0 PLC ± - 1 PLC ± 0.25 2 PLC ± 0.13 3 PLC ± 0.05 ANGLES ± -
THIRD ANGLE PROJECTION	
MATERIAL SEE NOTES	FINISH SEE NOTES
DWN <i>A.HUANG</i>	DATE AUG-24-2010
CHK <i>M.CHANG</i>	AUG-24-2010
APVD <i>W.J.YANG</i>	AUG-25-2010

淮洋有限公司 HUI YANG CO.,LTD.
TEL : 886-2-8261-8986 FAX : 886-2-8261-1885
www.hy1688.com.tw 236新北市土城區中央路二段191號10樓之5

TITLE
2X1 (2PORTS),
6POSITION, RIGHT ANGLE PCB JACK

SIZE A4	CAUGE CODE -	DRAWING NO 973304
WEIGHT -	GRAMS Ref.	REV 1 SHEET 1