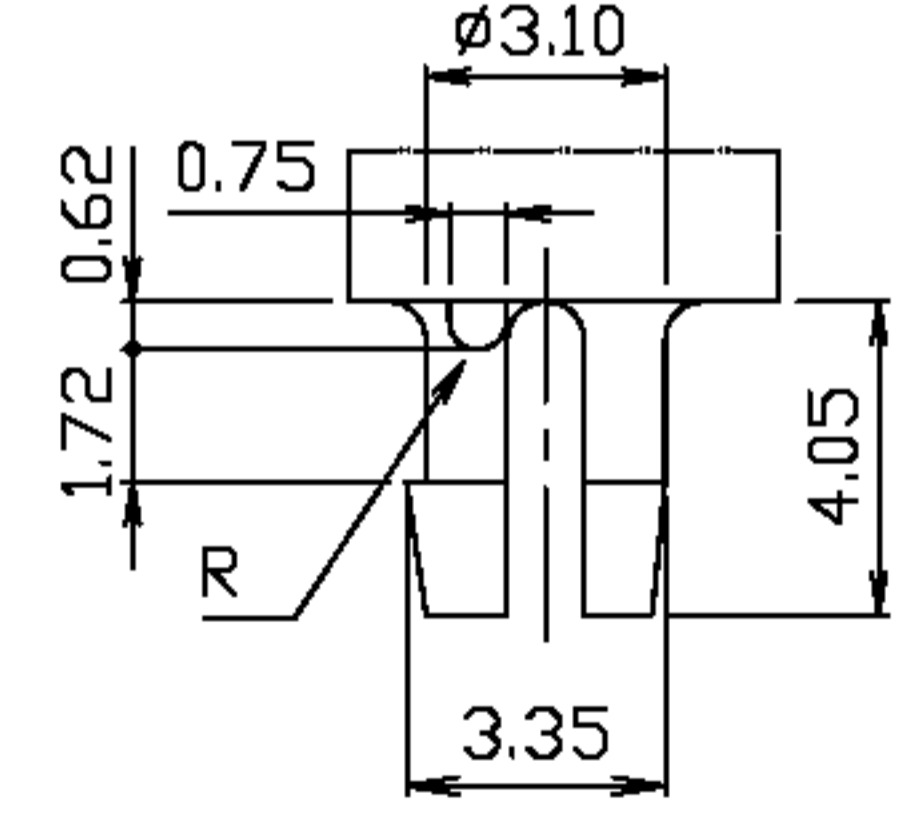
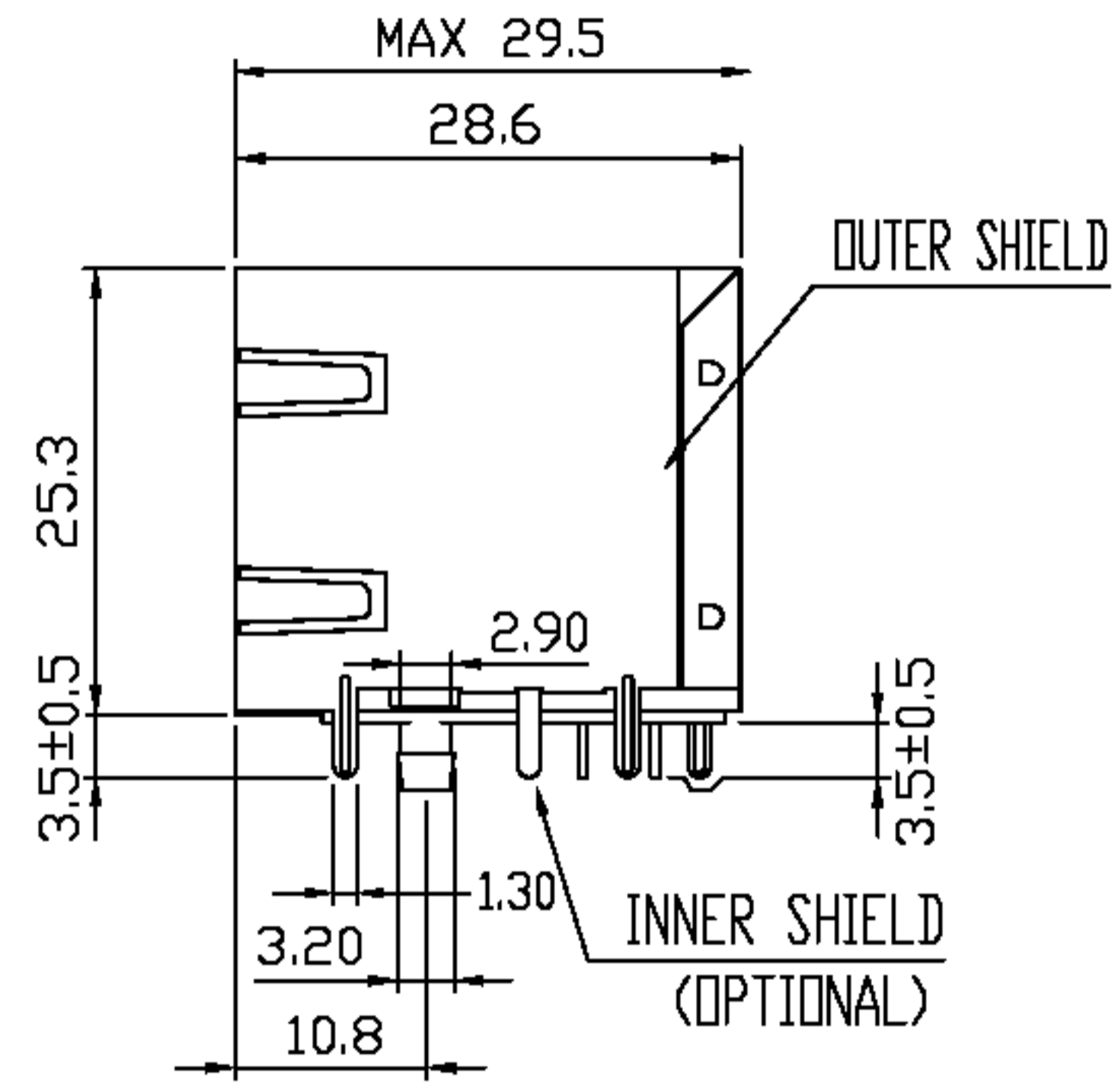
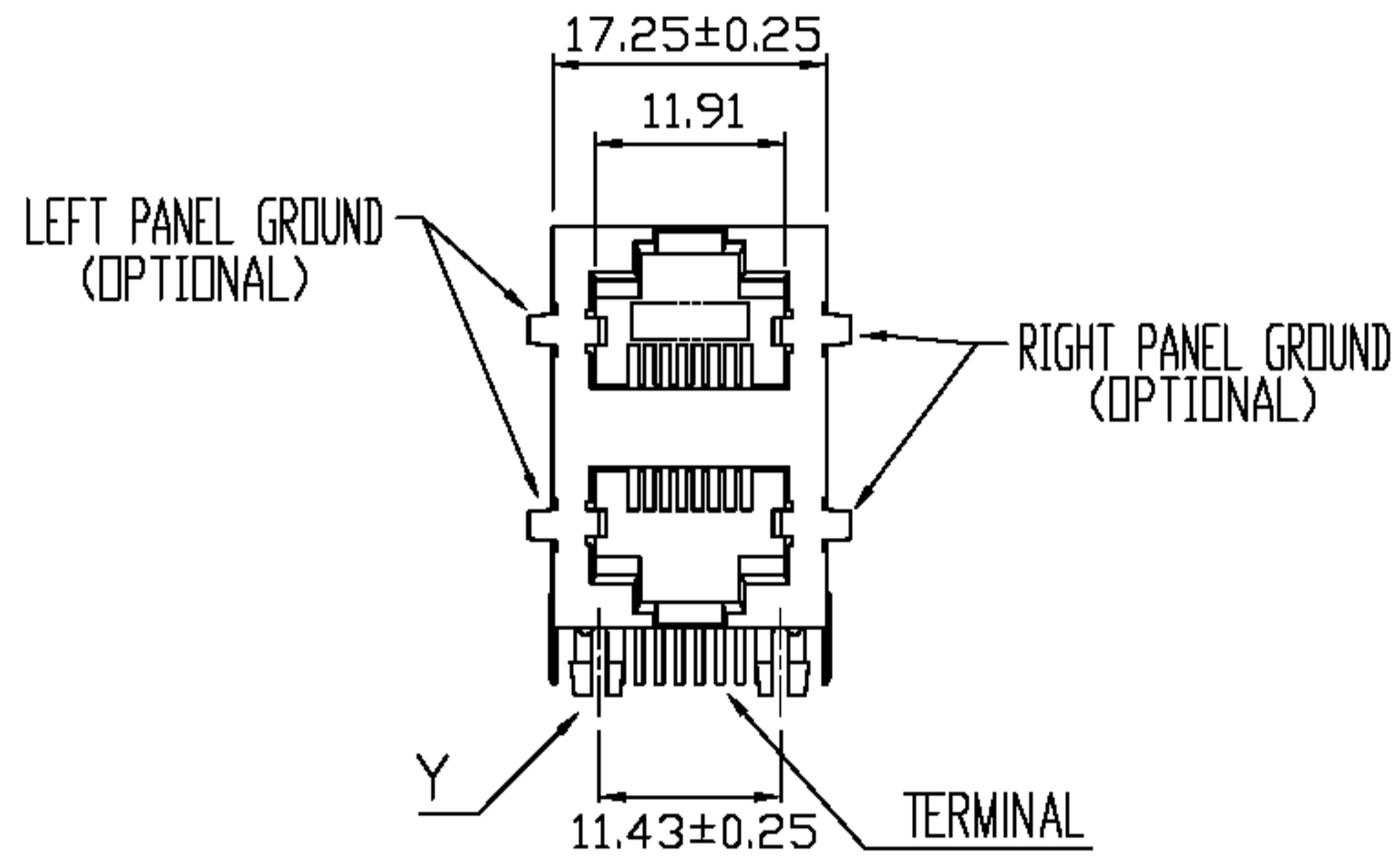
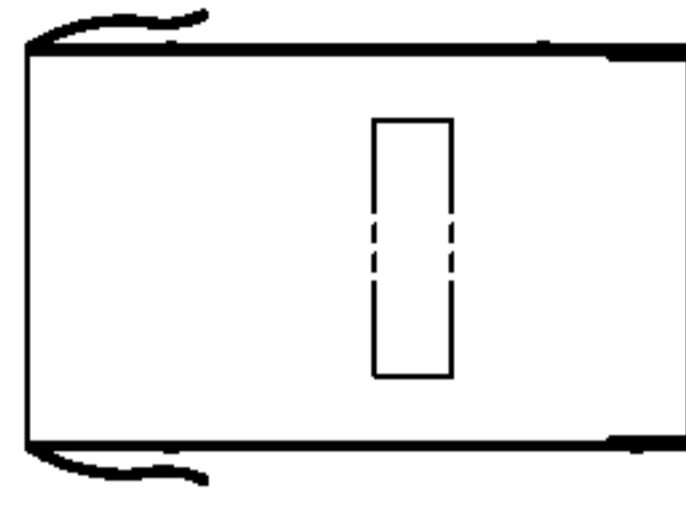
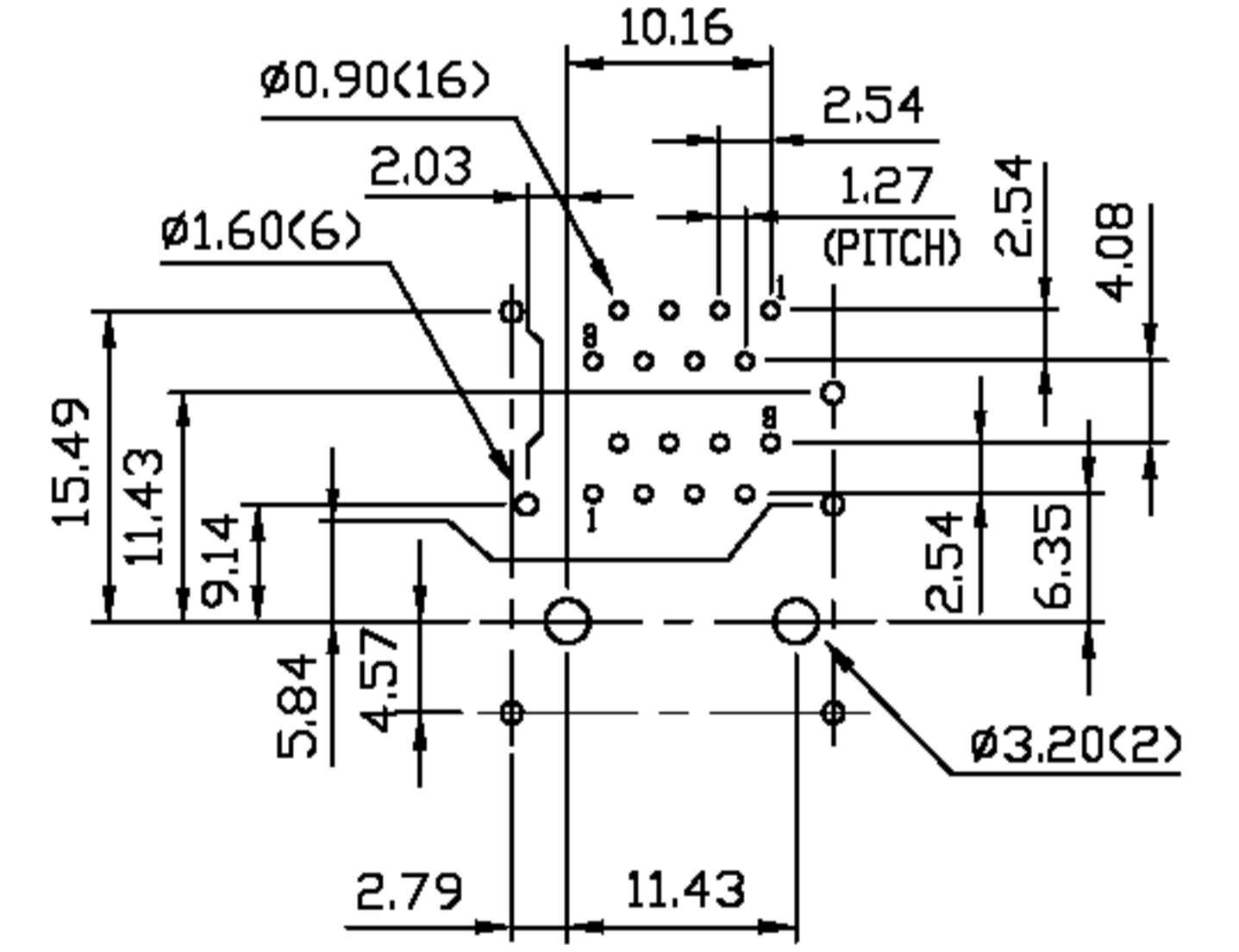


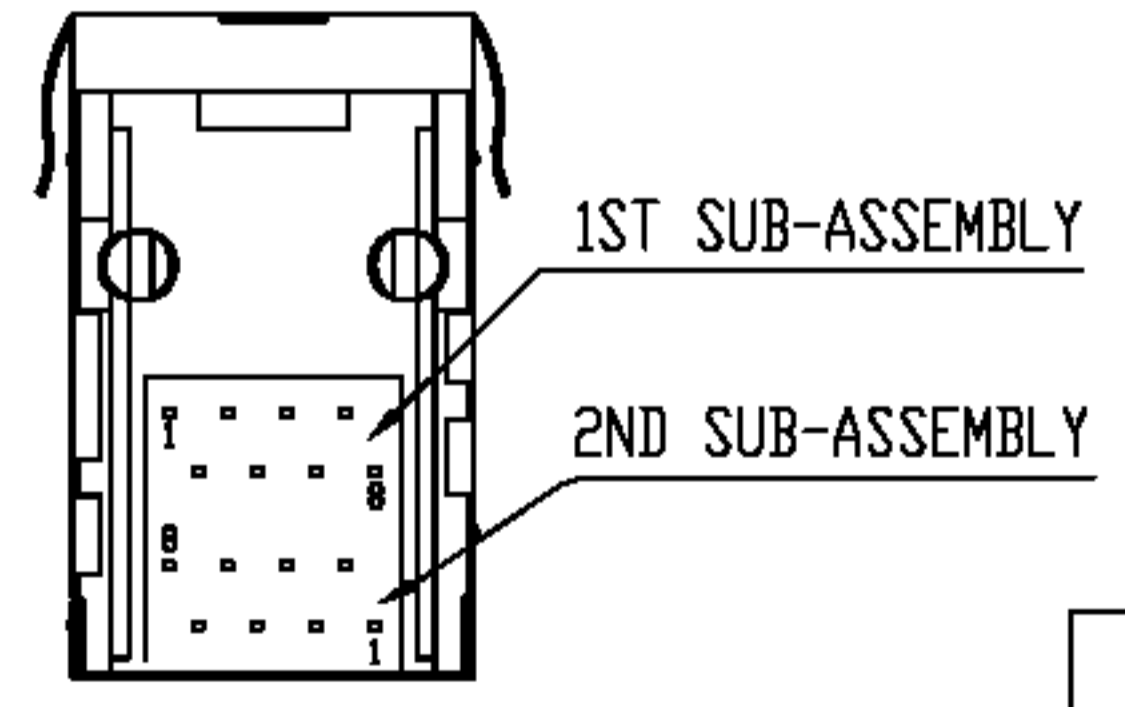
RoHS Compliance



DETAIL Y



PCB LAYOUT Ref.



DO NOT SCALE DRAWING		TOLERANCES UNLESS OTHERWISE NOTED		DR. CIAN.CI.LUO	DATE NOV-26 '09	淮洋有限公司 HUIYANG CO.,LTD. TEL : 886-2-8261-8986 FAX : 886-2-8261-1885 www.hy1688.com.tw 236新北市土城區中央路二段191號10樓之5	
THIRD ANGLE PROJECTION	LINEAR MM INCH	00 ± .01 000 ± .005 0000 ± .002	0.0 ± 0.25 0.00 ± 0.13 0.000 ± 0.05	CK'D M.CHANG	NOV-26 '09	TITLE 2X1 8POSITIONS RIGHT ANGLE SHIELDED PCB JACK	
MM INCH	ANGLE ± 0° 30'	RADII	+ 0.40 - 0.15	APP'D W.J.YANG	NOV-27 '09	SCALE SIZE DWG.NO. 973203	REV. SHEET 7 1