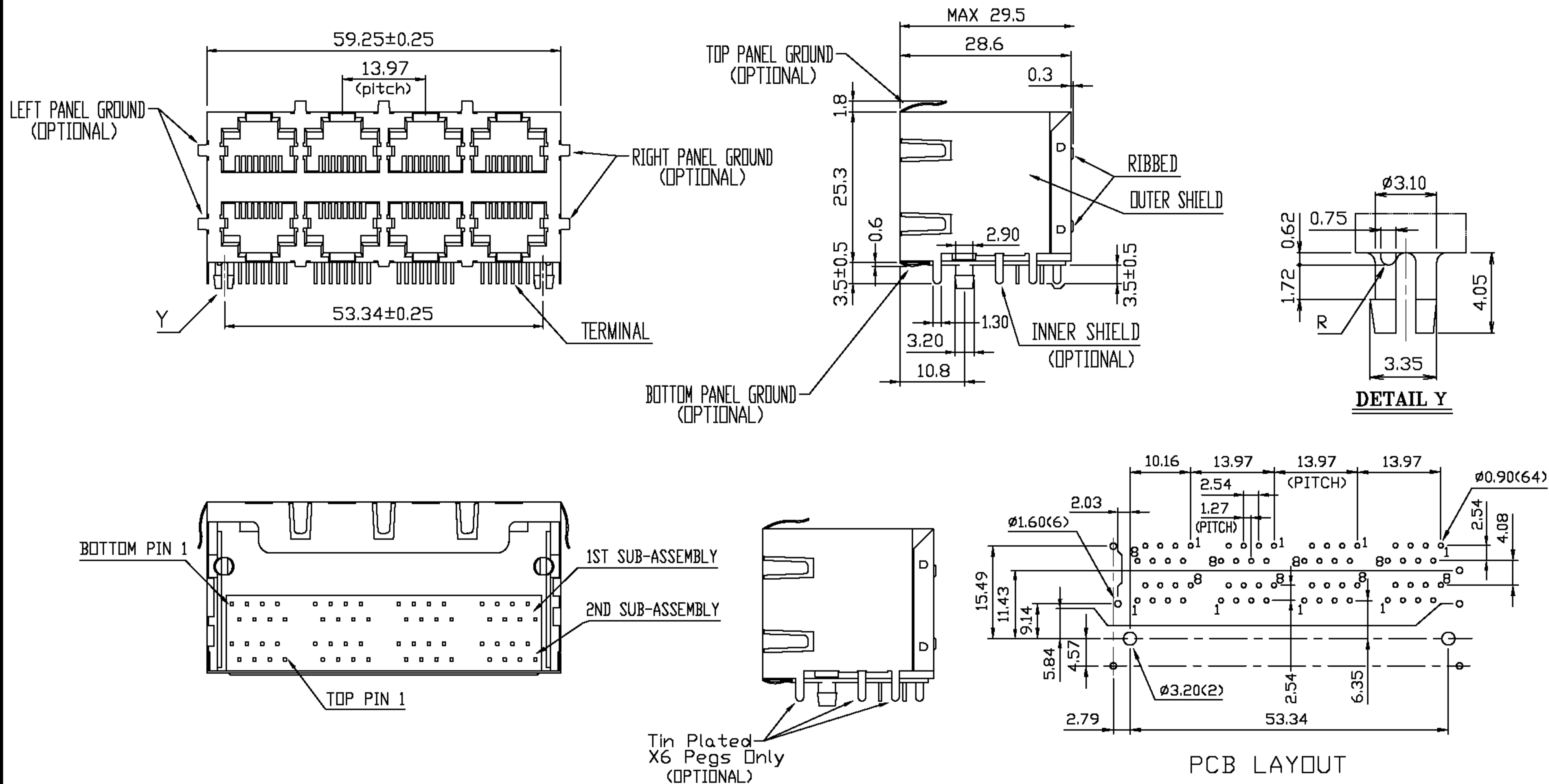


RoHS Compliance



PCB LAYOUT

DO NOT SCALE DRAWING		TOLERANCES UNLESS OTHERWISE NOTED		DR. CIAN.CI.LUO	DATE DEC-31 '09	淮洋有限公司 HUIYANG CO.,LTD. TEL : 886-2-8261-8986 FAX : 886-2-8261-1885 www.hy1688.com.tw 236新北市土城區中央路二段191號10樓之5					
THIRD ANGLE PROJECTION		LINEAR	MM INCH	00 ± .01 000 ± .005 0000 ± .002	0.0 ± 0.25 0.00 ± 0.13 0.000 ± 0.05	CK'D M.CHANG	DEC-31 '09	TITLE 2X4 8POSITIONS RIGHT ANGLE SHIELDED PCB JACK			
MM INCH	ANGLE ± 0° 30'	RADII		± 0.40 - 0.15	APP'D W.J.YANG	DATE DEC-31 '09	SCALE	SIZE	DWG.NO. 973202	REV. 4	SHEET 1