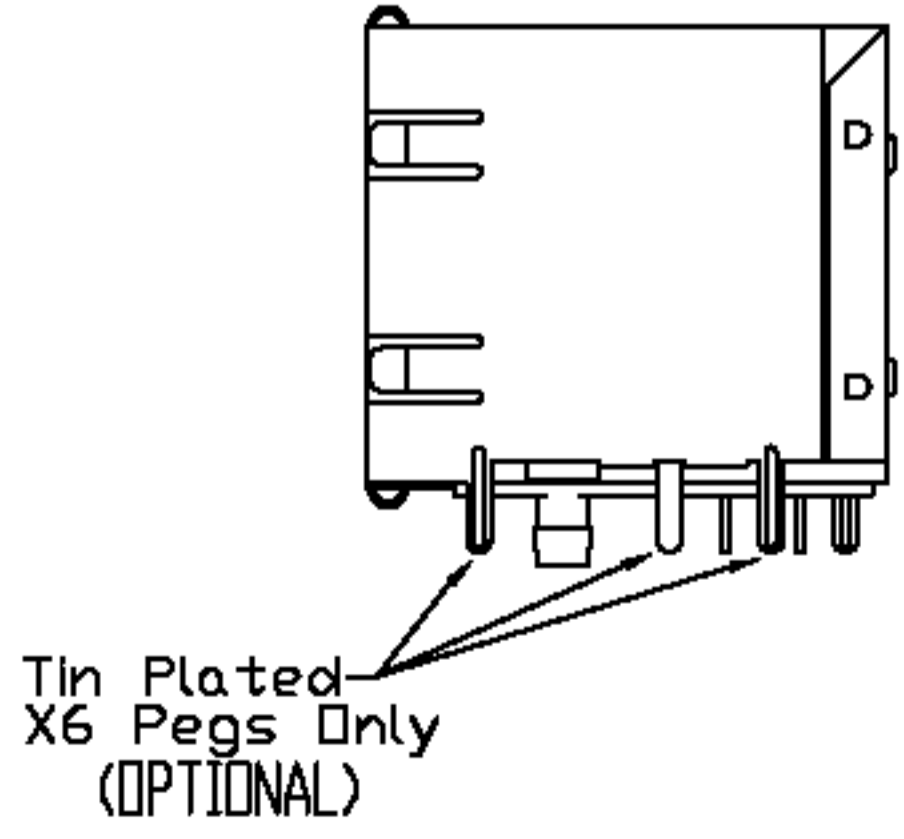
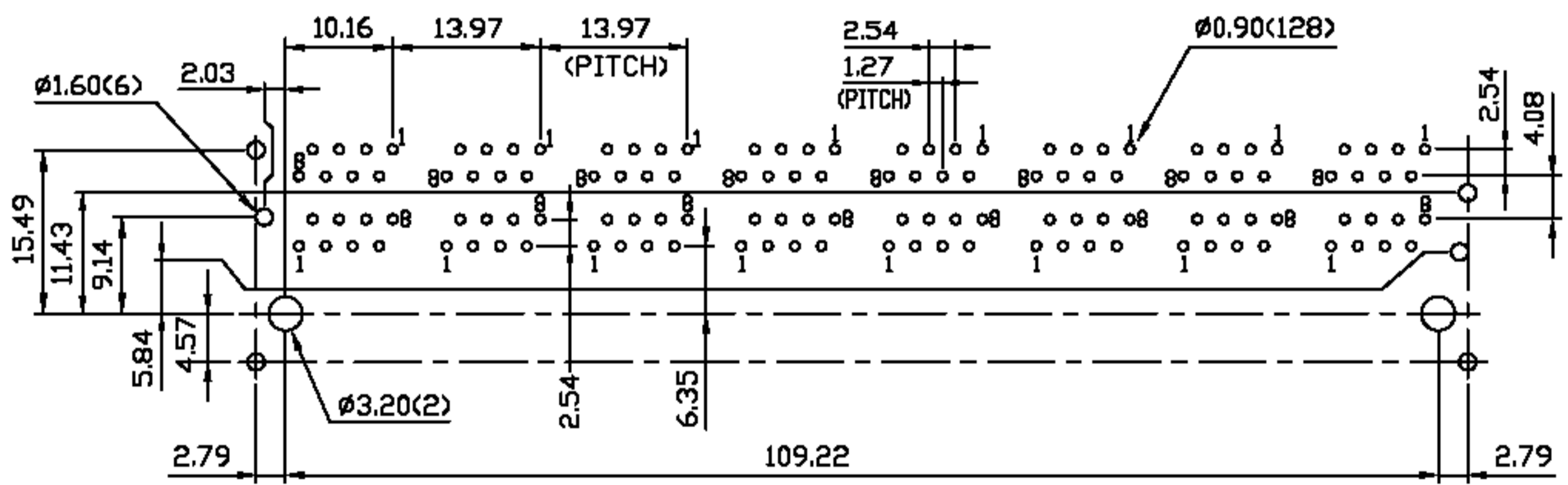
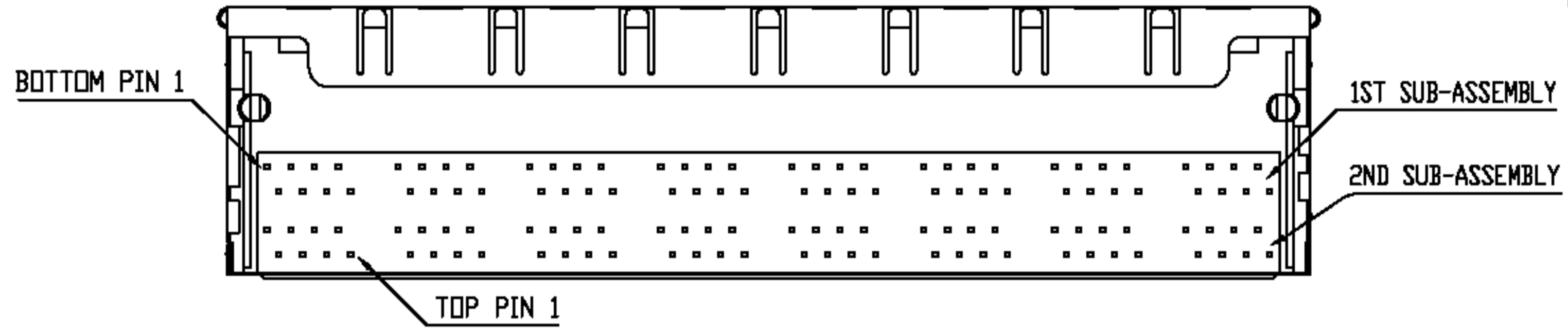
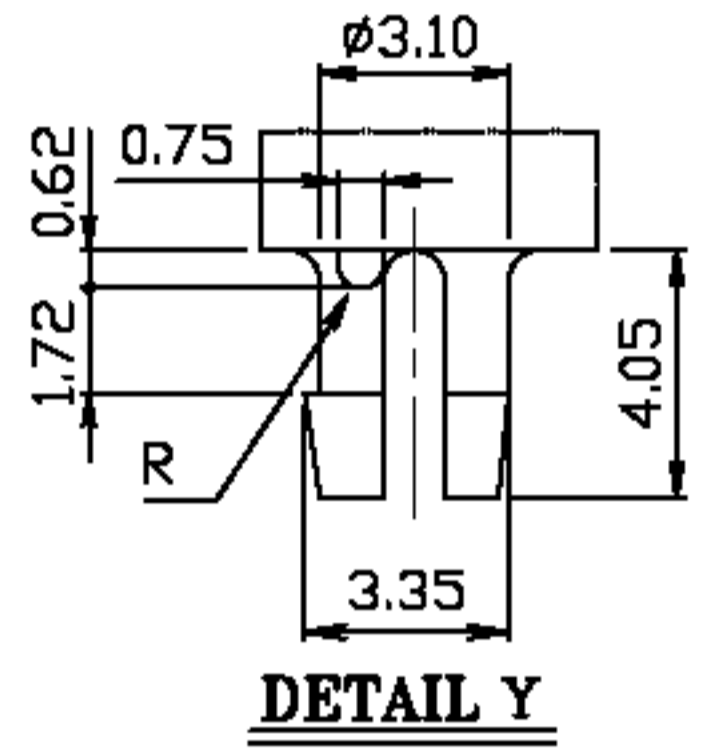
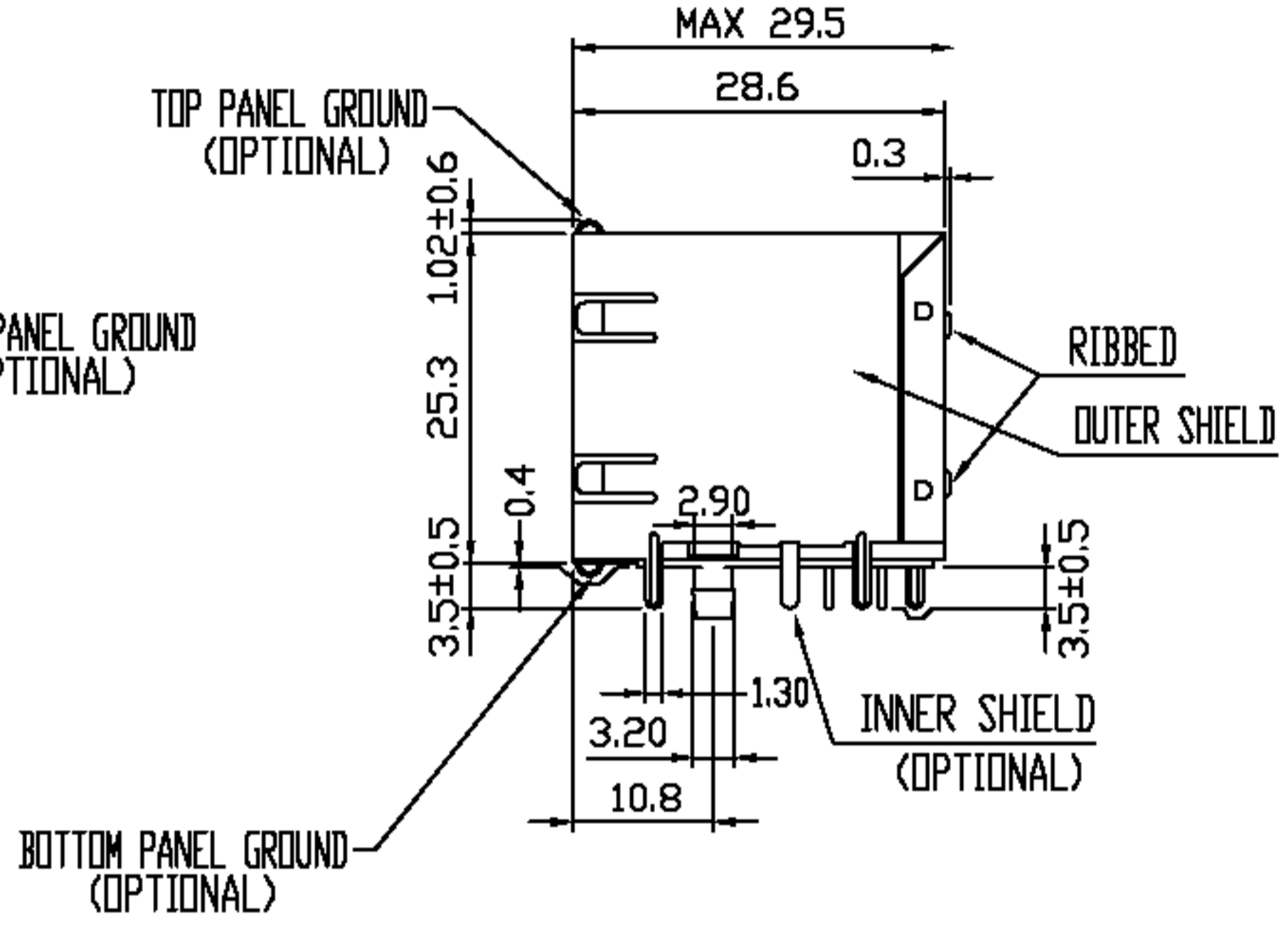
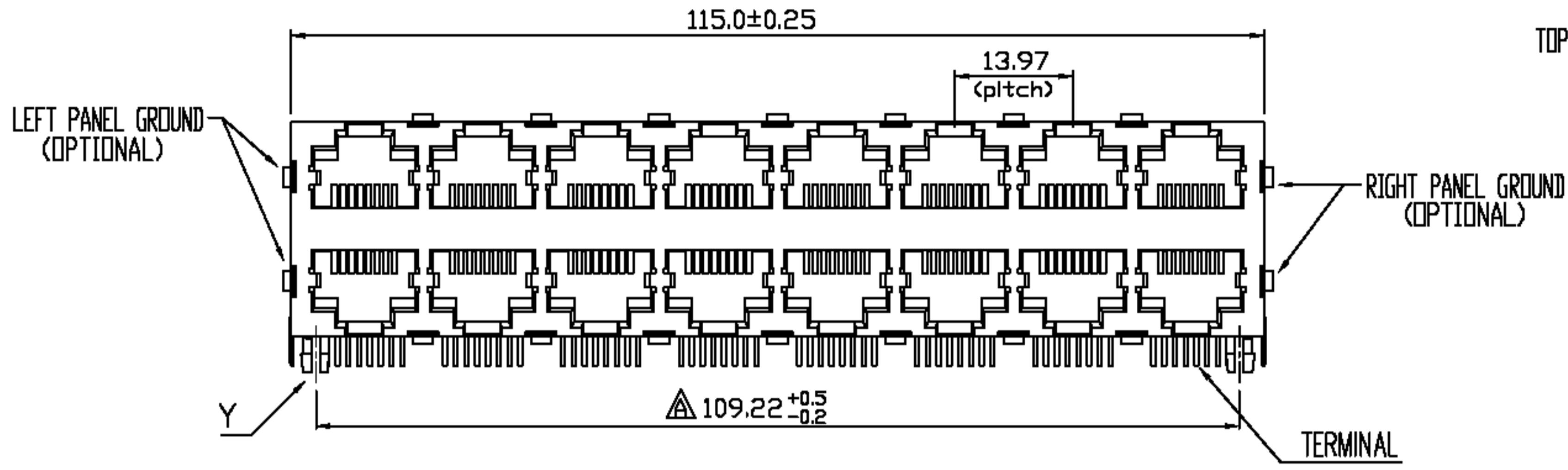


REVISIONS			
LTR	DESCRIPTION	DATE	APP
△	ECN 109.22±0.25	04/28/'09	CHANG



PCB LAYOUT Ref.

DO NOT SCALE DRAWING	TOLERANCES UNLESS OTHERWISE NOTED	INCH	MM	DR. <i>C.IAN.CI.LUO</i>	DATE NOV-24 '09
THIRD ANGLE PROJECTION	LINEAR $\frac{MM}{INCH}$	00 ± .01 000 ± .005 0000 ± .002	0.0 ± 0.25 0.00 ± 0.13 0.000 ± 0.05	CK'D <i>M.CHANG</i>	NOV-24 '09
MM INCH	ANGLE ± 0° 30'	RADII	+ 0.40 - 0.15	APP'D <i>W.J.YANG</i>	NOV-25 '09

淮洋有限公司 HUIYANG CO., LTD. TEL : 886-2-8261-8986 FAX : 886-2-8261-1885 www.hy1688.com.tw 236新台北市土城區中央路二段191號10樓之5					
TITLE 2X8 8POSITIONS RIGHT ANGLE SHIELDED PCB JACK					
SCALE	SIZE	DWG.NO.	REV.	SHEET	
		973108	7	1	