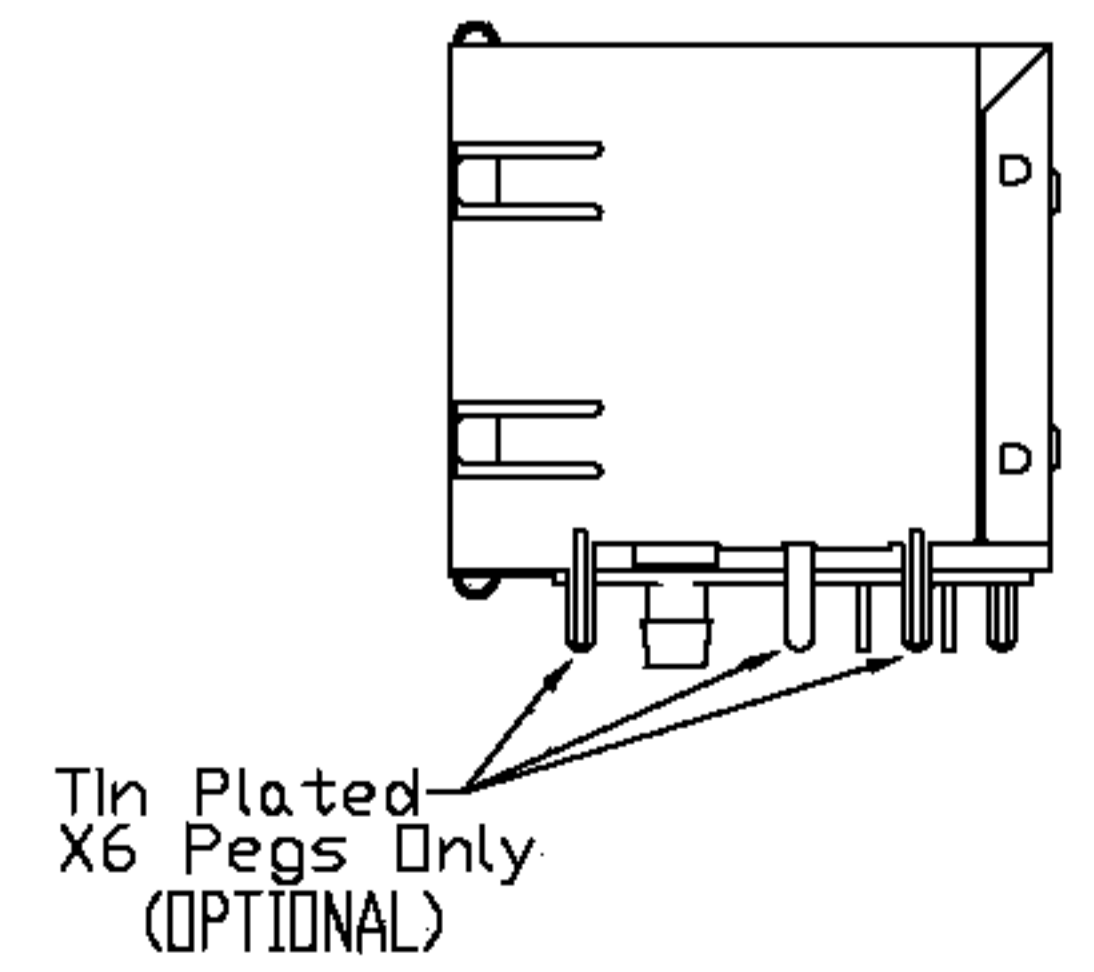


PCB LAYOUT Ref.



DO NOT SCALE DRAWING		TOLERANCES UNLESS OTHERWISE NOTED		DR. CIAN.CI.LUO	DATE NOV-24 '09	淮洋有限公司 HUIYANG CO.,LTD. TEL : 886-2-8261-8986 FAX : 886-2-8261-1885 www.hy1688.com.tw 236新北市土城區中央路二段191號10樓之5	
THIRD ANGLE PROJECTION		LINEAR	$\frac{\text{MM}}{\text{INCH}}$	CK'D M.CHANG	NOV-24 '09	TITLE: 2X6 8POSITIONS RIGHT ANGLE SHIELDED PCB JACK	
MM	INCH	$00 \pm .01$ $000 \pm .005$ $0000 \pm .002$	$0.0 \pm 0.25$ $0.00 \pm 0.13$ $0.000 \pm 0.05$	APP'D W.J.YANG	NOV-25 '09	SCALE	SIZE DWG.NO. 973107
		ANGLE $\pm 0^{\circ} 30'$	RADII			REV. 5	SHEET 1