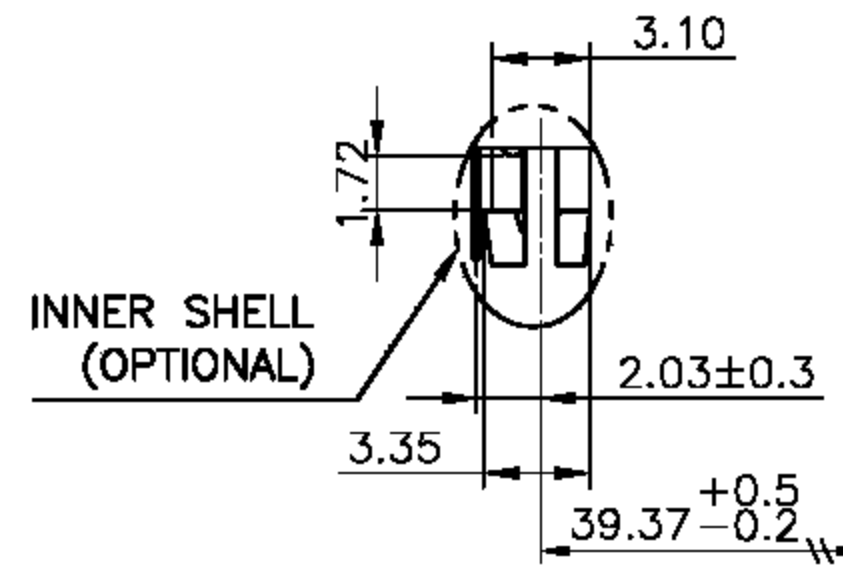


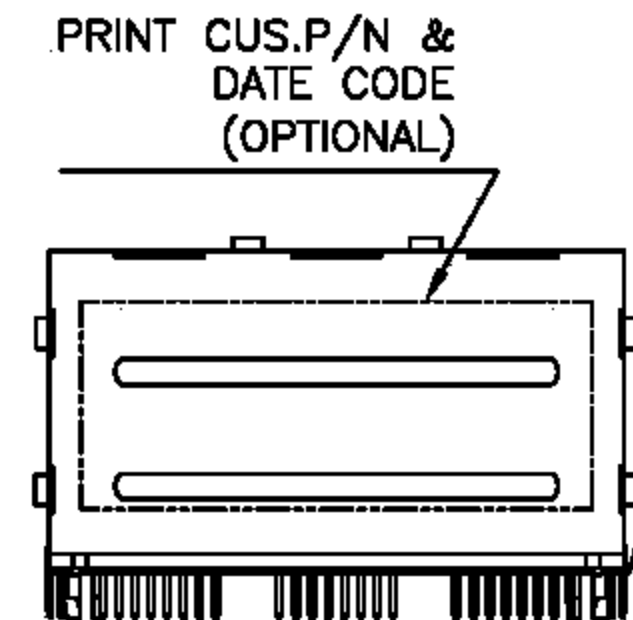
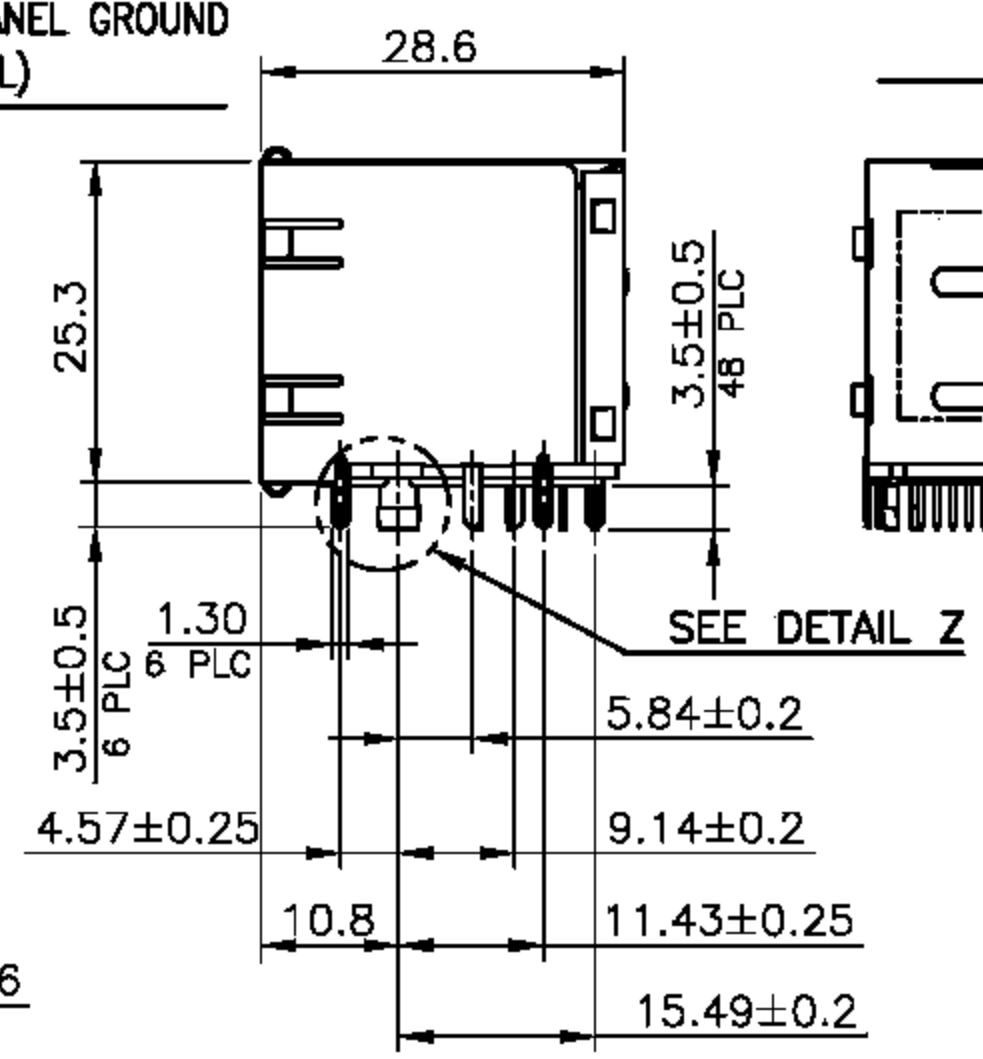
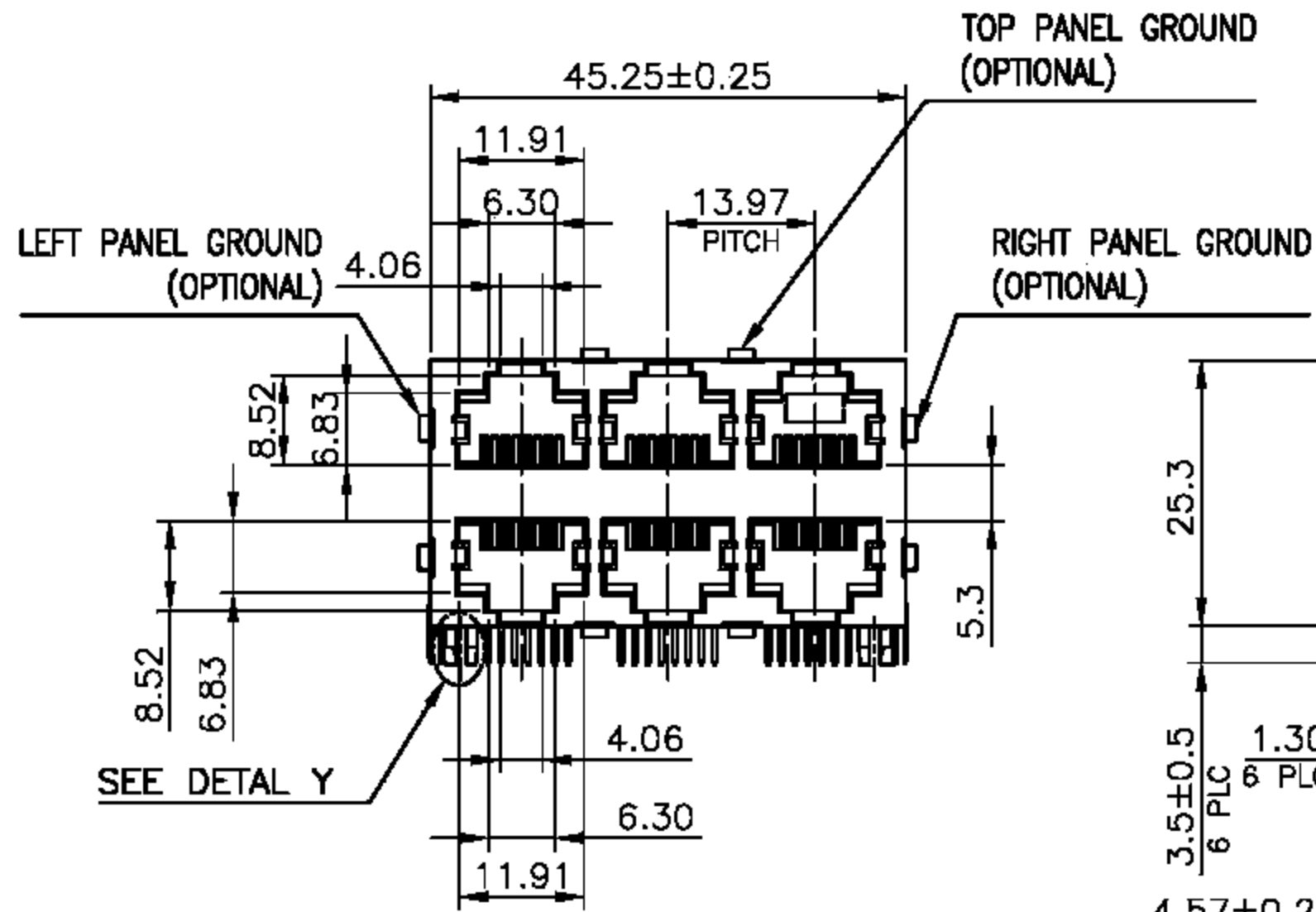
RoHS Compliance

NOTE:

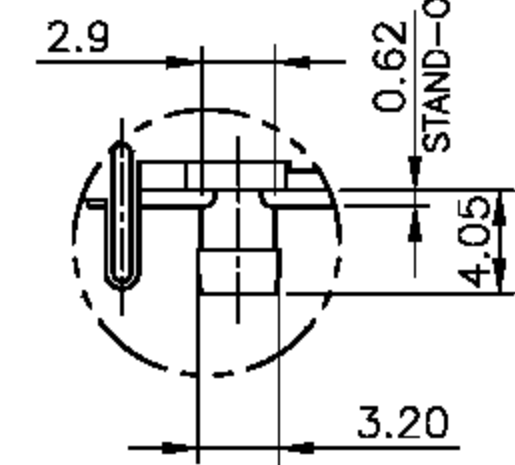
CAVITY CONFIRMS TO FCC RULES AND REGULATIONS PART 68, SUBPART F.



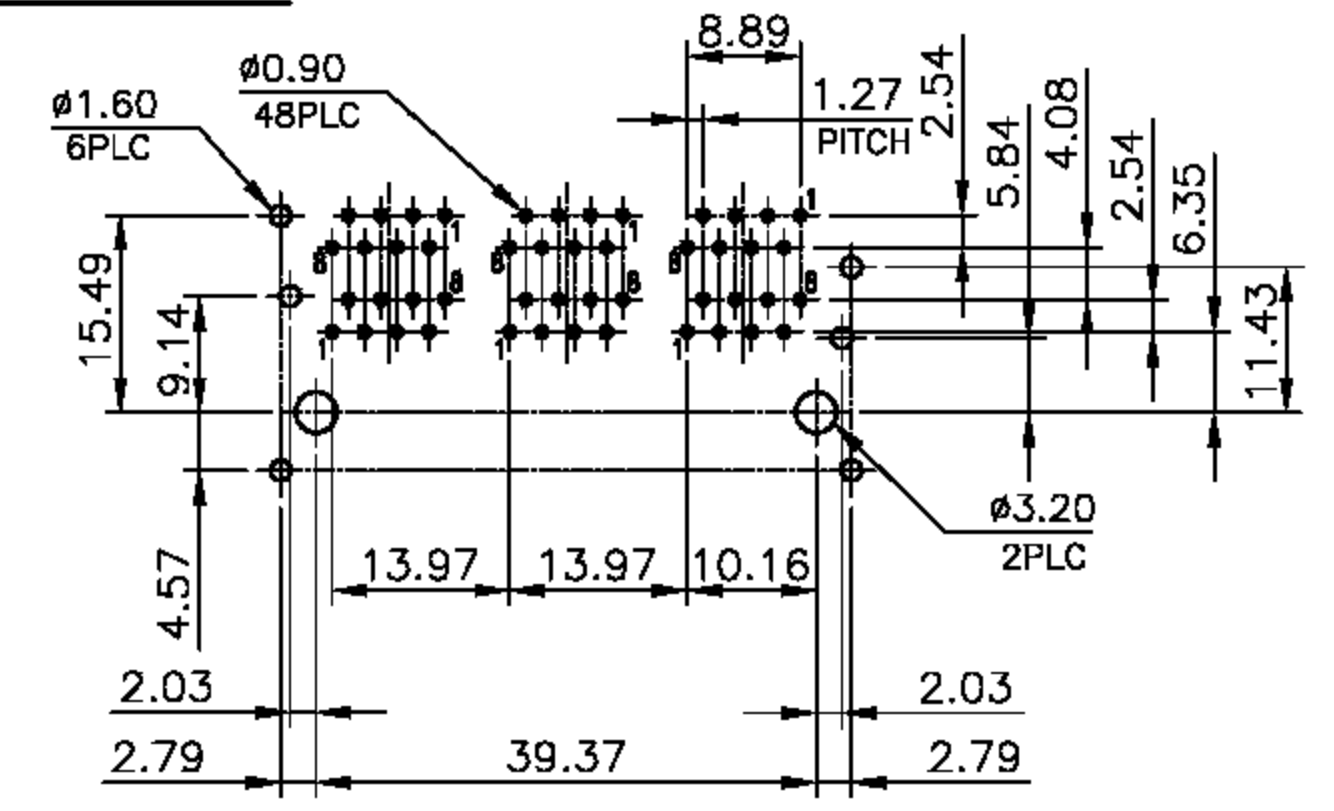
DETAIL Y
SCALE 2.5:1



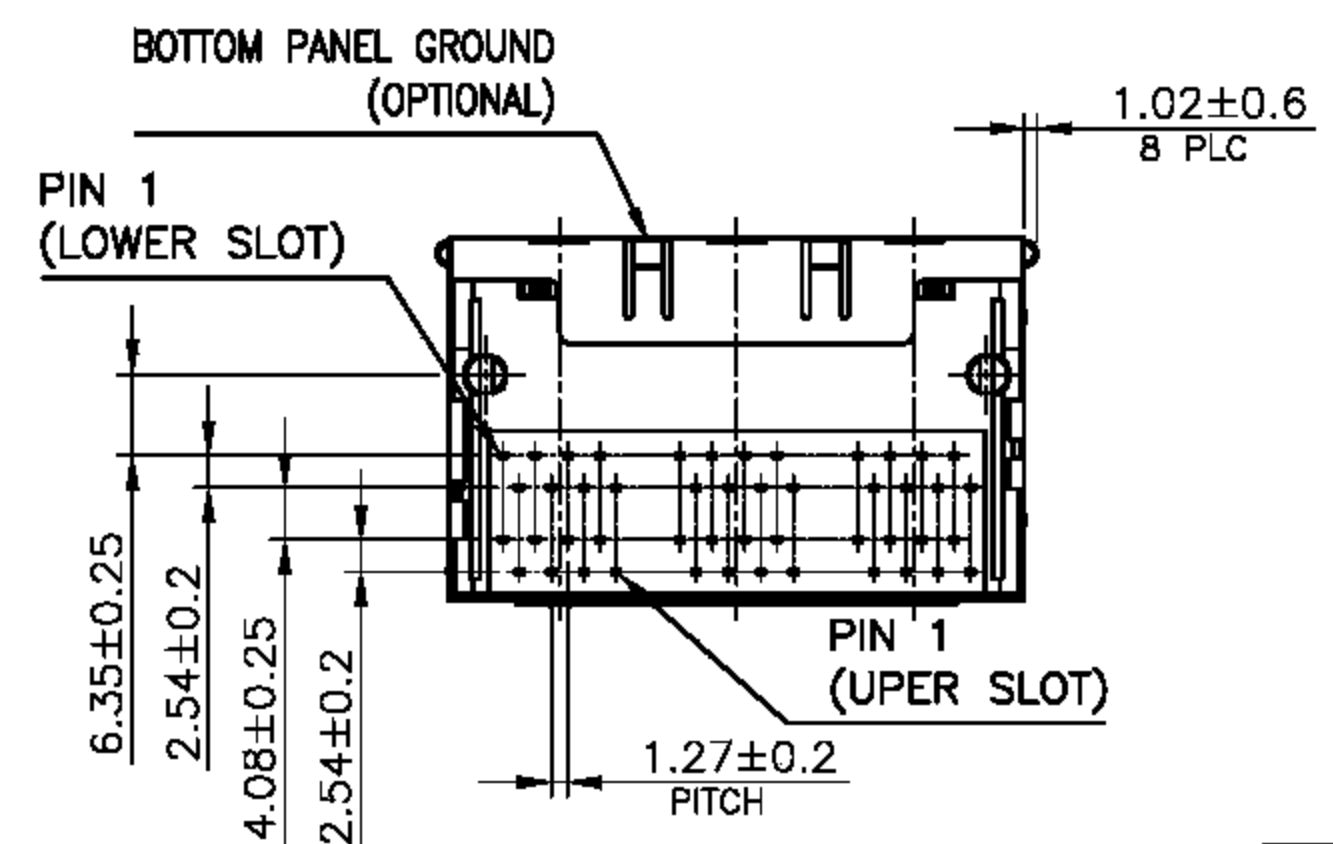
SHELL LEGS
TIN PLATED(X4)
(OPTIONAL)



DETAIL Z
SCALE 2:1



RECOMMENDED PCB LAYOUT
RECOMMENDED PCB THICKNESS: 1.6mm
TOLERANCE:±0.05mm (TOP VIEW)



THIS DRAWING IS A CONTROLLED DOCUMENT. DO NOT SCALE DRAWING.	
DIMENSIONS: MM	TOLERANCES UNLESS OTHERWISE SPECIFIED:
	0 PLC ± - 1 PLC ± 0.25 2 PLC ± 0.13 3 PLC ± 0.05 ANGLES ± -
THIRD ANGLE PROJECTION	
MATERIAL SEE NOTES	FINISH SEE NOTES
DWN A.HUANG	DATE FEB-20-2012
CHK M.CHANG	FEB-20-2012
APVD W.J.YANG	FEB-21-2012

淮洋有限公司 HUI YANG CO.,LTD.
TEL : 886-2-8261-8986 FAX : 886-2-8261-1885
www.hy1688.com.tw 236新北市土城區中央路二段191號10樓之5

TITLE
2X3, 8POSITION,
RIGHT ANGLE SHELL PCB JACK

LTR	DESCRIPTION	DATE	APVD
REVISIONS			

SIZE A3	CAUSE CODE -	DRAWING NO 973105
WEIGHT -	GRAMS Ref.	REV 2 SHEET 1