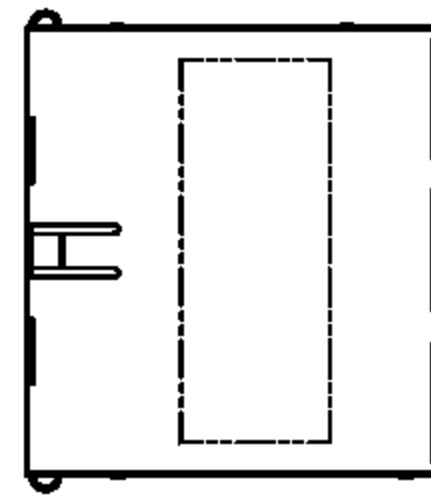
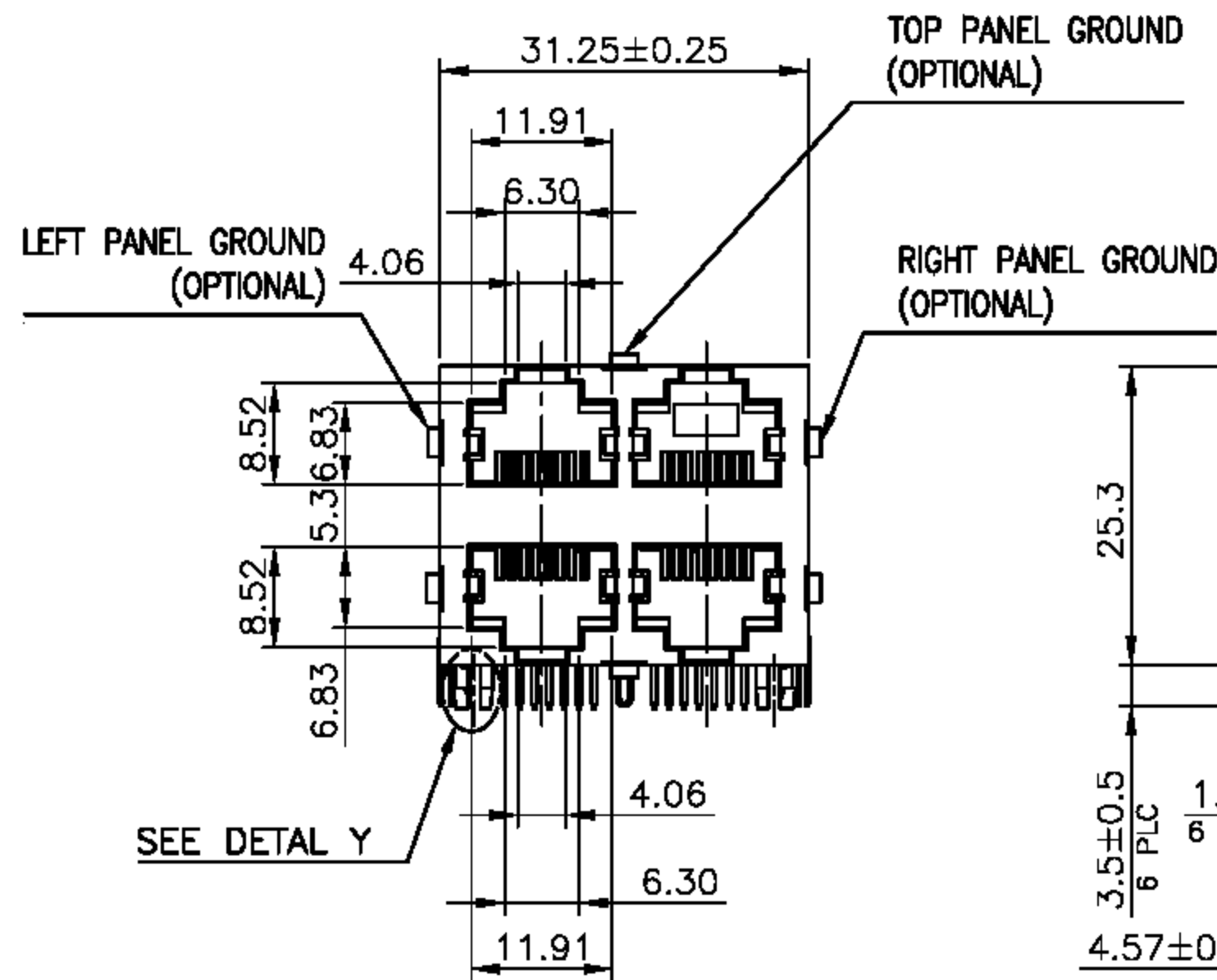


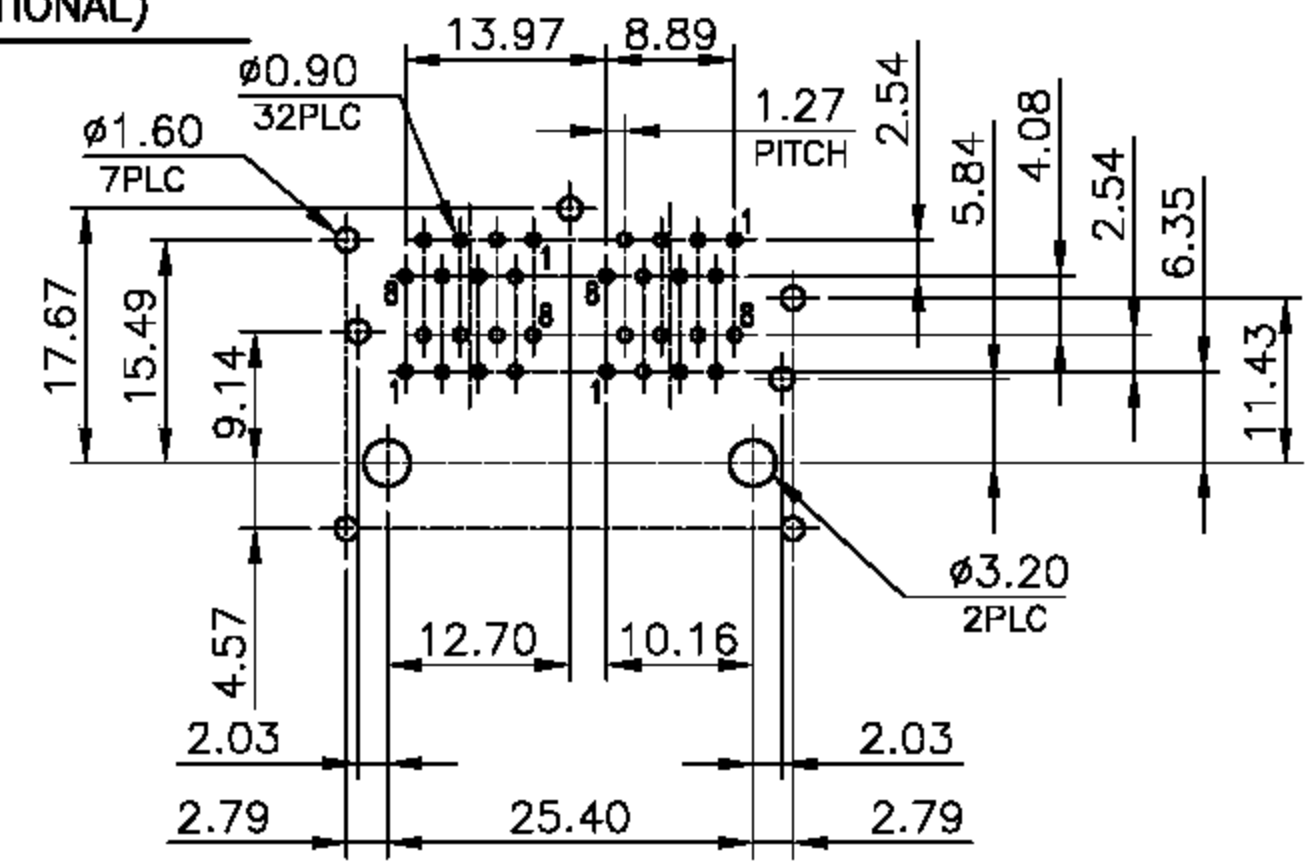
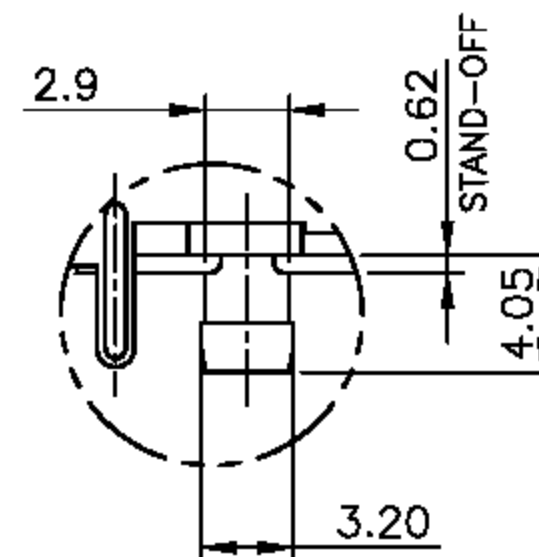
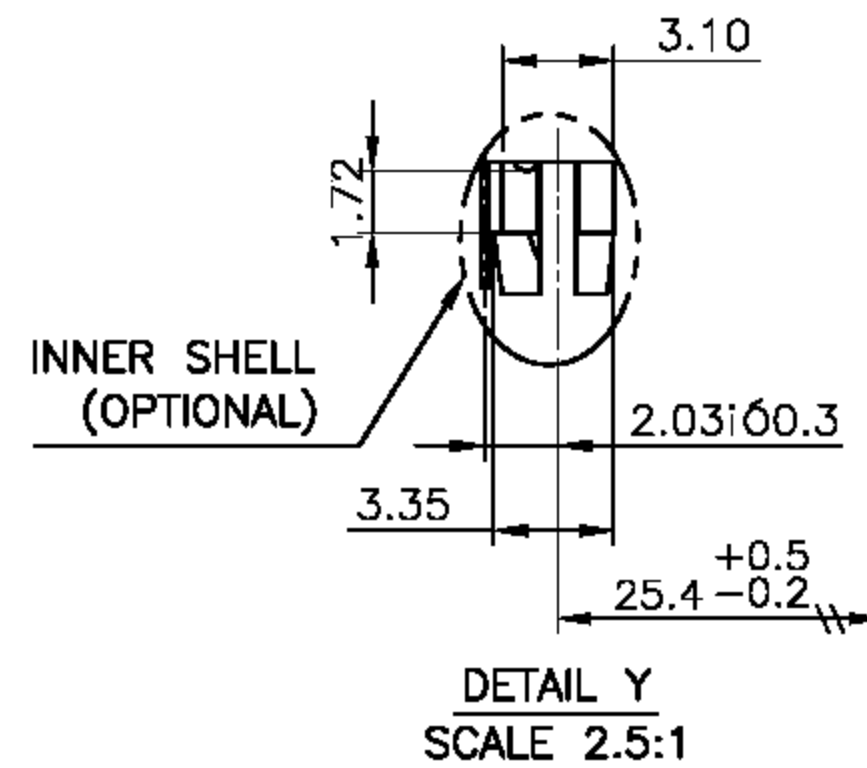
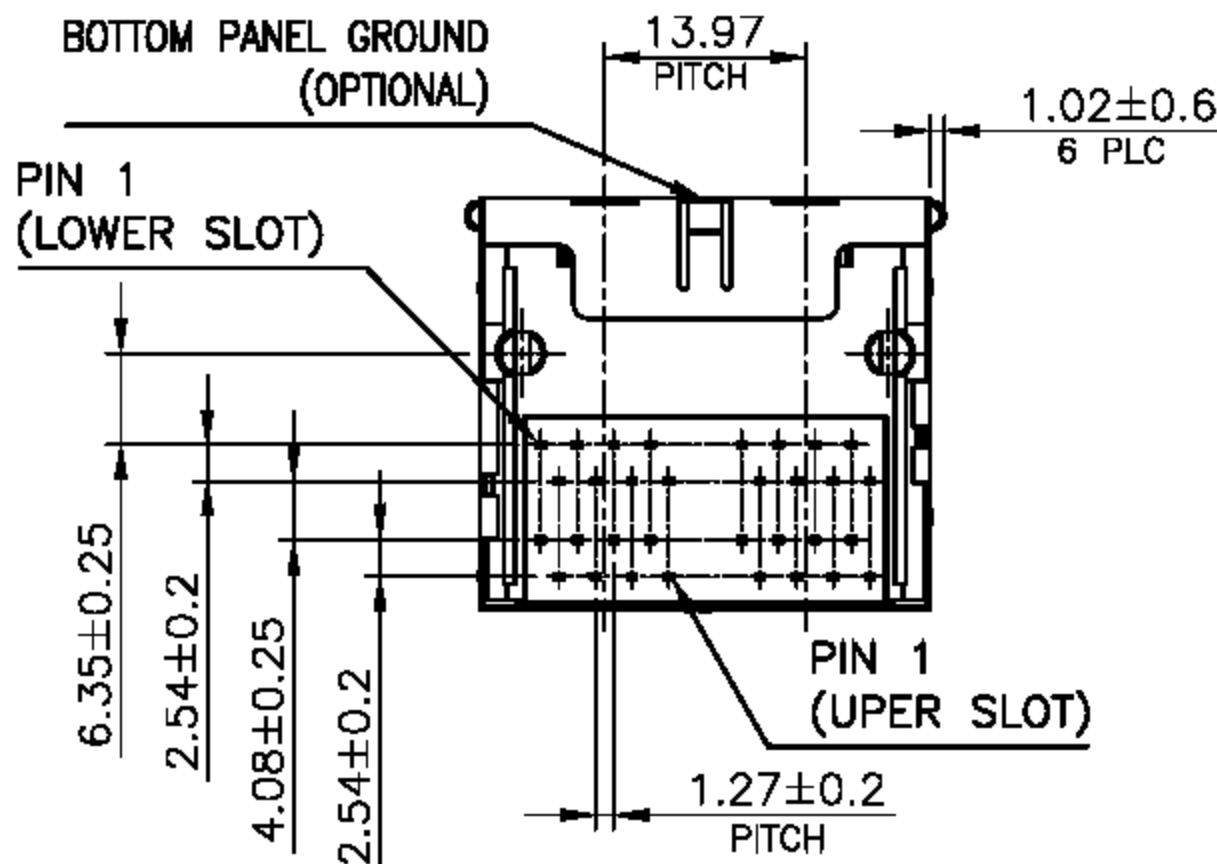
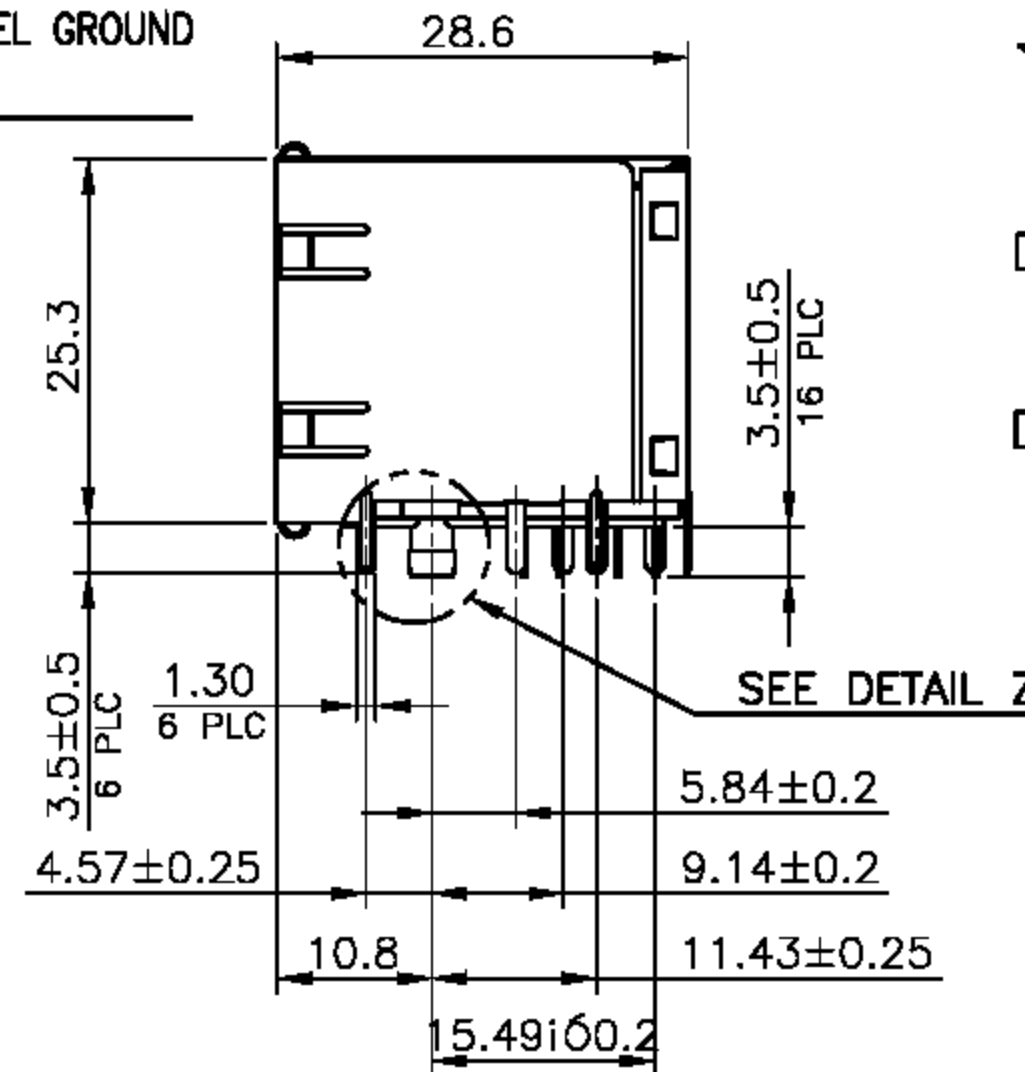
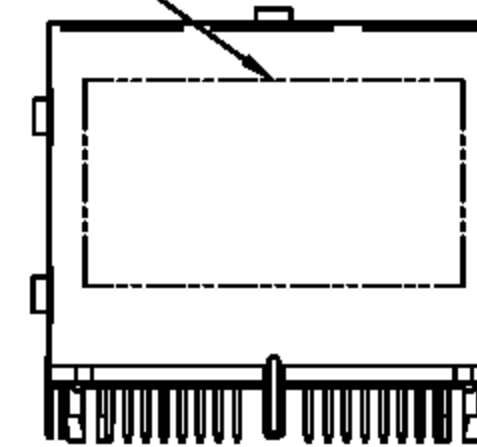
RoHS Compliance

NOTE:

CAVITY CONFIRMS TO FCC RULES AND REGULATIONS PART 68, SUBPART F.



PRINT CUS.P/N & DATE CODE (OPTIONAL)



THIS DRAWING IS A CONTROLLED DOCUMENT. DO NOT SCALE DRAWING.	
DIMENSIONS: MM	TOLERANCES UNLESS OTHERWISE SPECIFIED:
	0 PLC ± - 1 PLC ± 0.25 2 PLC ± 0.13 3 PLC ± 0.05 ANGLES ± -
THIRD ANGLE PROJECTION	
MATERIAL SEE NOTES	FINISH SEE NOTES
DWN A.HUANG	DATE FEB-20-2012
CHK M.CHANG	DATE FEB-20-2012
APVD W.J.YANG	DATE FEB-21-2012

淮洋有限公司 HUIYANG CO.,LTD.
TEL: 886-2-8261-8986 FAX: 886-2-8261-1885
www.hy1688.com.tw 236新北市土城區中央路二段191號10樓之5

TITLE 2X2, 8POSITION, RIGHT ANGLE SHELL PCB JACK	
SIZE A3	DRAWING NO 973104
WEIGHT - GRAMS Ref.	REV 3 SHEET 1

LTR	DESCRIPTION	DATE	APVD
REVISIONS			