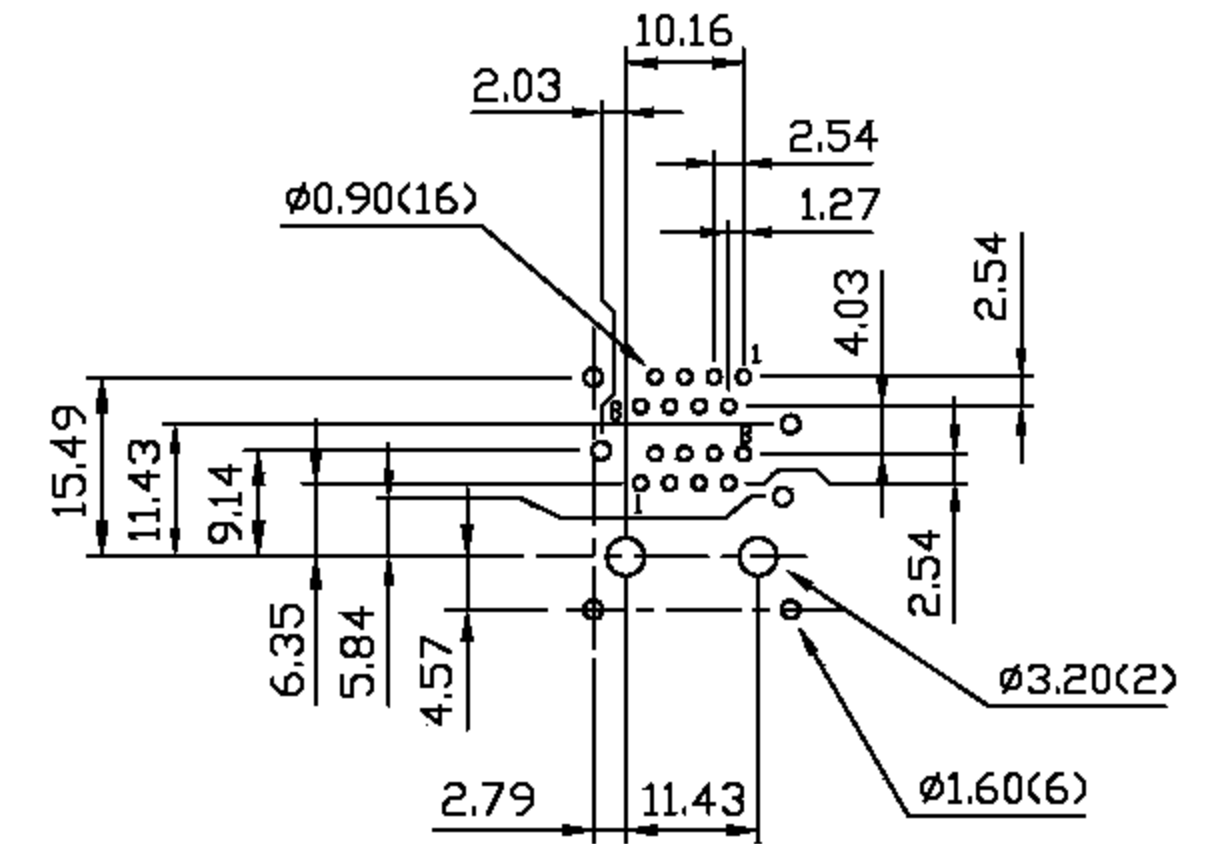
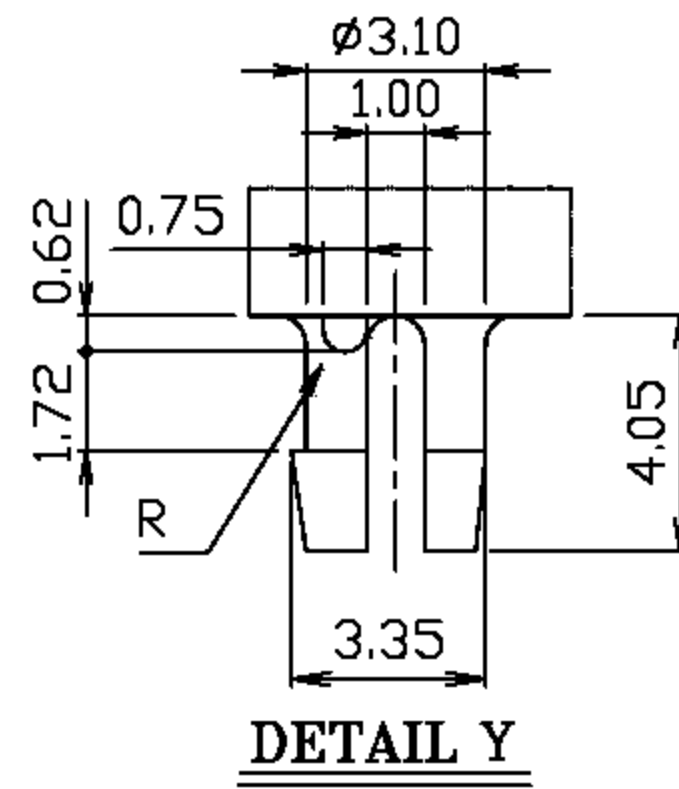
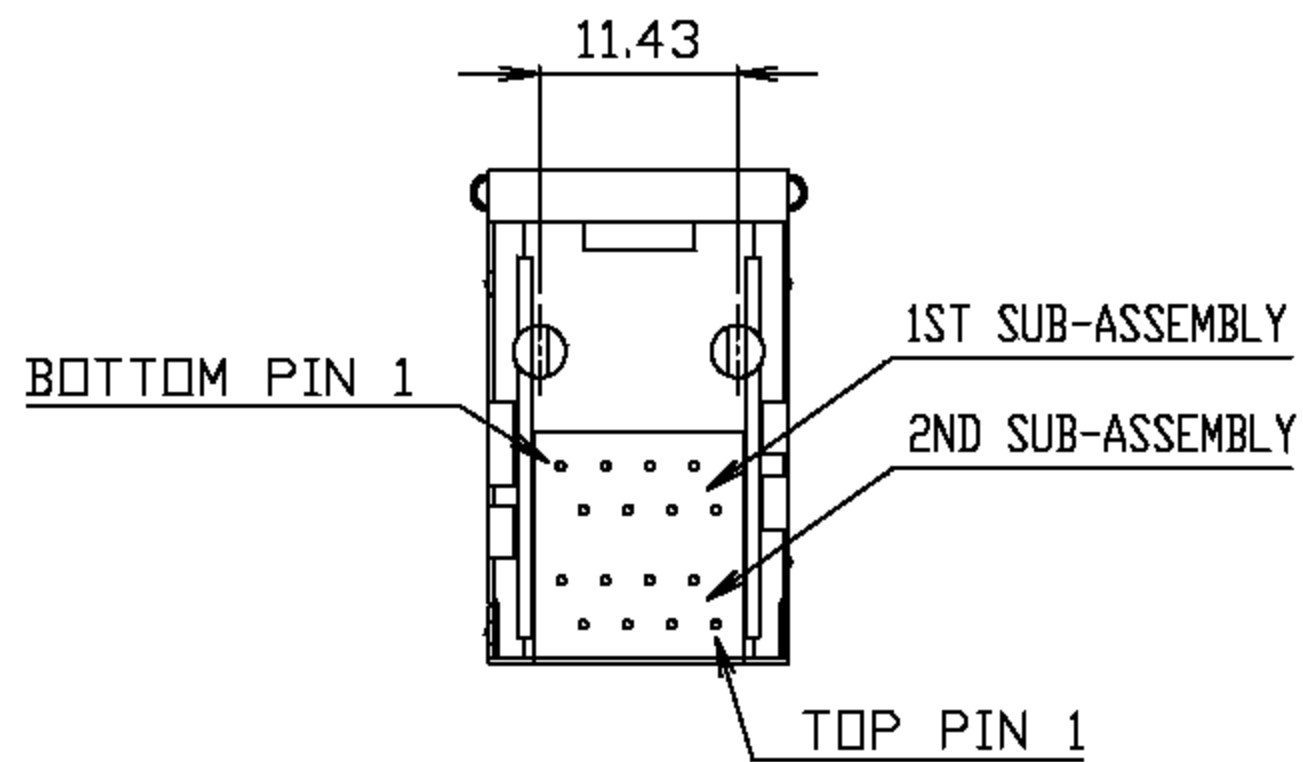
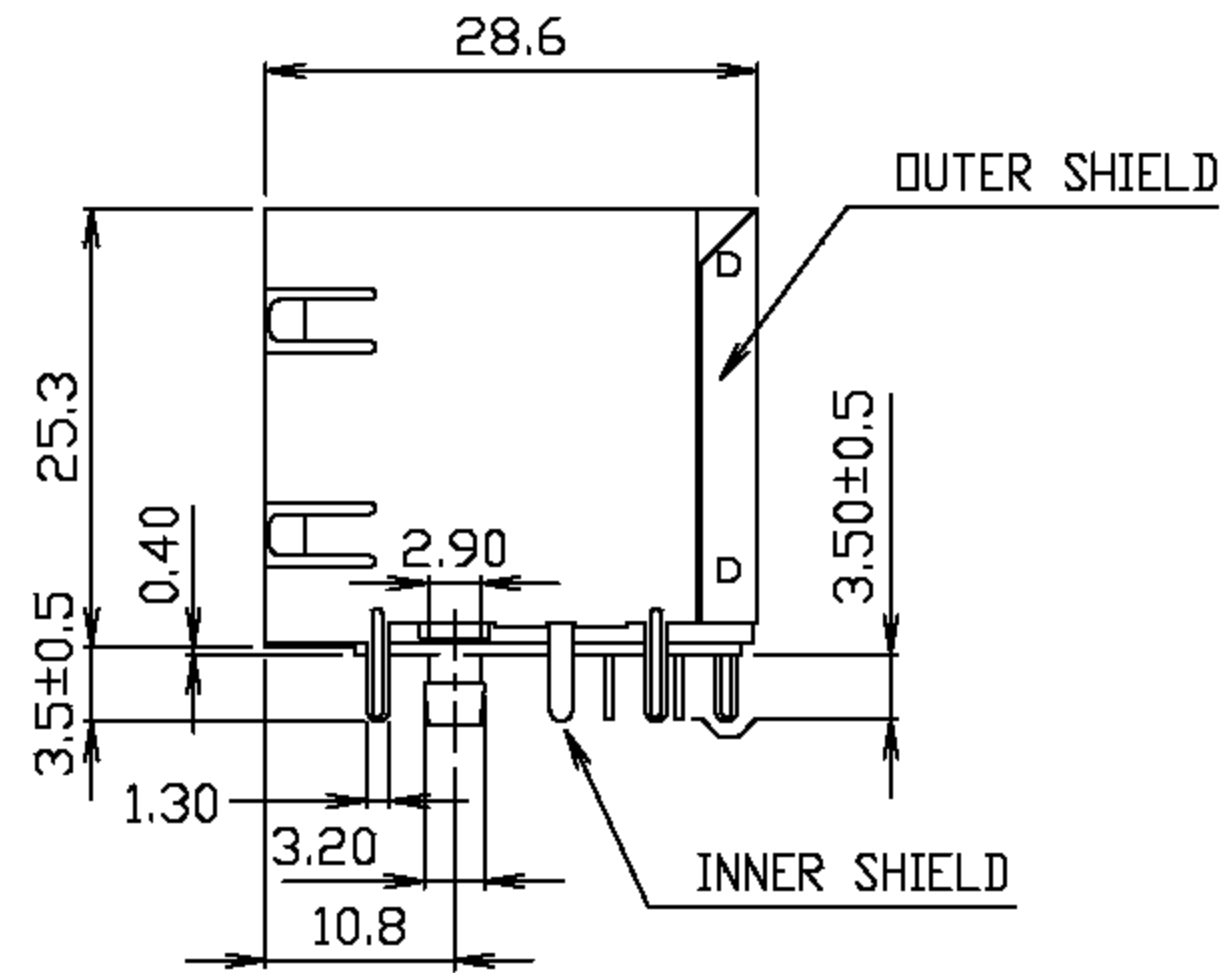
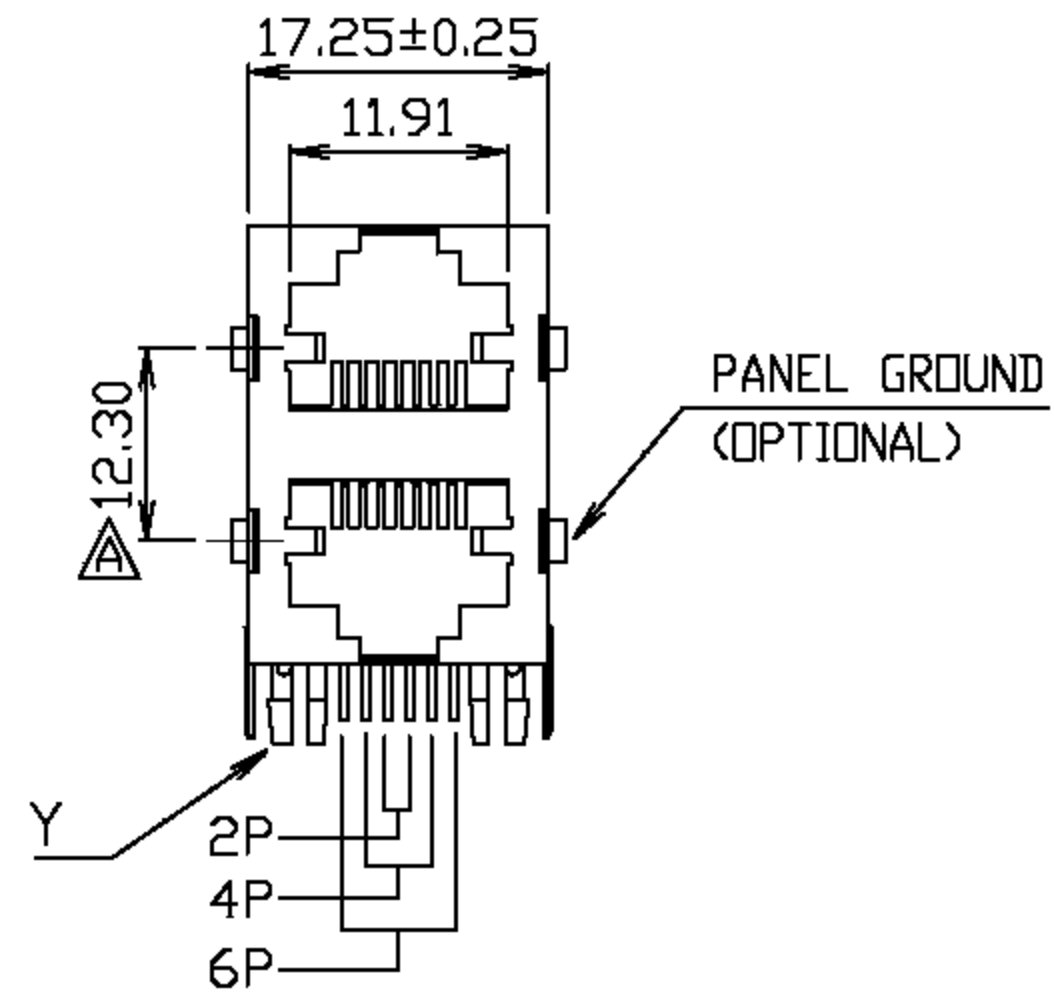


RoHS Compliance



PCB LAYOUT
Ref.

DO NOT SCALE DRAWING		TOLERANCES UNLESS OTHERWISE NOTED		DR. <i>C.IAN.CI.LUO</i>	DATE NOV-24 '09	淮洋有限公司 HUIYANG CO.,LTD. TEL : 886-2-8261-8986 FAX : 886-2-8261-1885 www.hy1688.com.tw 236新北市土城區中央路二段191號10樓之5	
THIRD ANGLE PROJECTION		LINEAR MM INCH	00 ± .01 000 ± .005 0000 ± .002	0.0 ± 0.25 0.00 ± 0.13 0.000 ± 0.05	CK'D <i>M.CHANG</i>	NOV-24 '09	TITLE 2X1 8POSITIONS RIGHT ANGLE SHIELDED PCB JACK
MM INCH	ANGLE ± 0° 30'	RADII	+ 0.40 - 0.15	APP'D <i>W.J.YANG</i>	NOV-25 '09	SCALE SIZE DWG.NO. 973102	REV. 5 SHEET 1