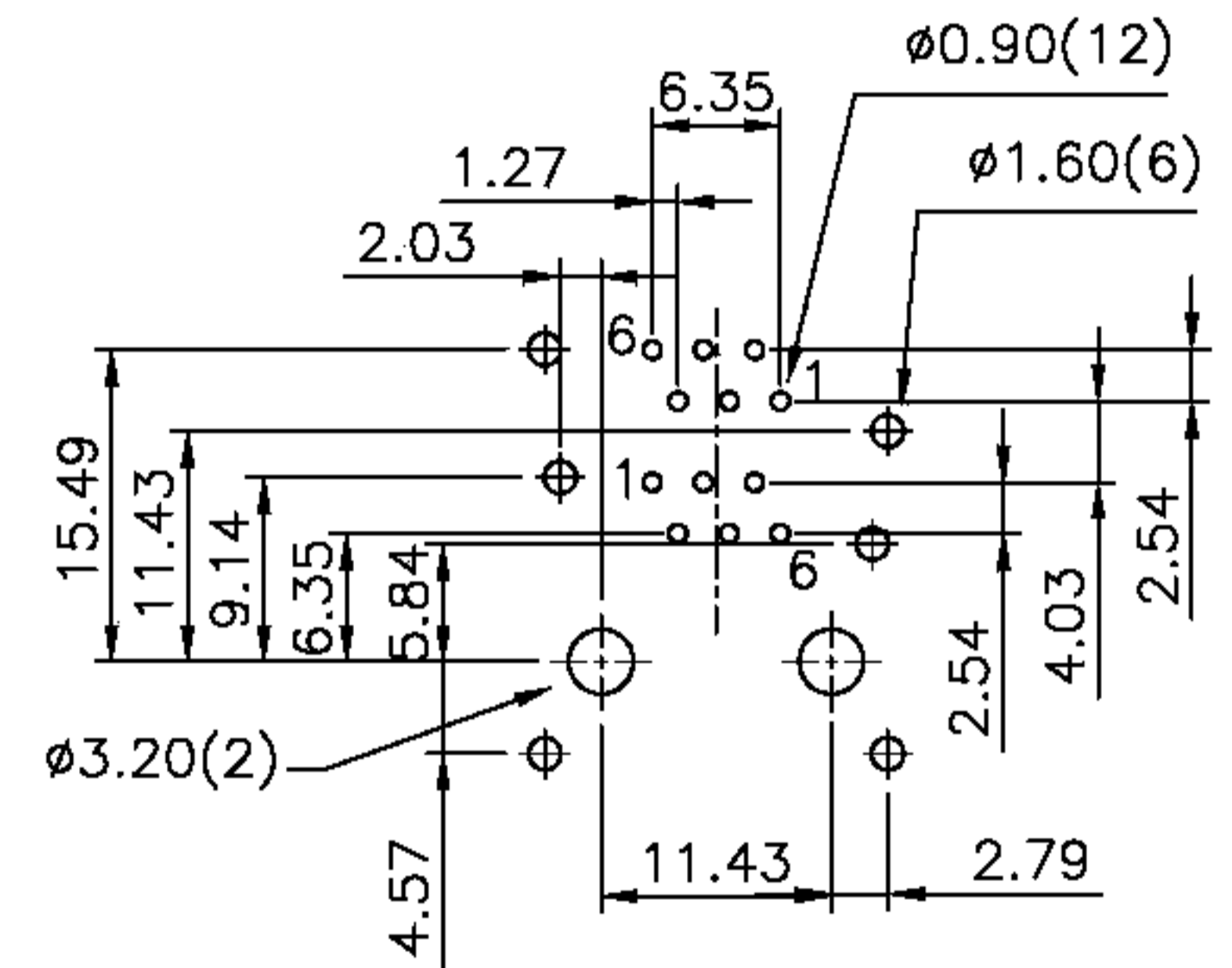
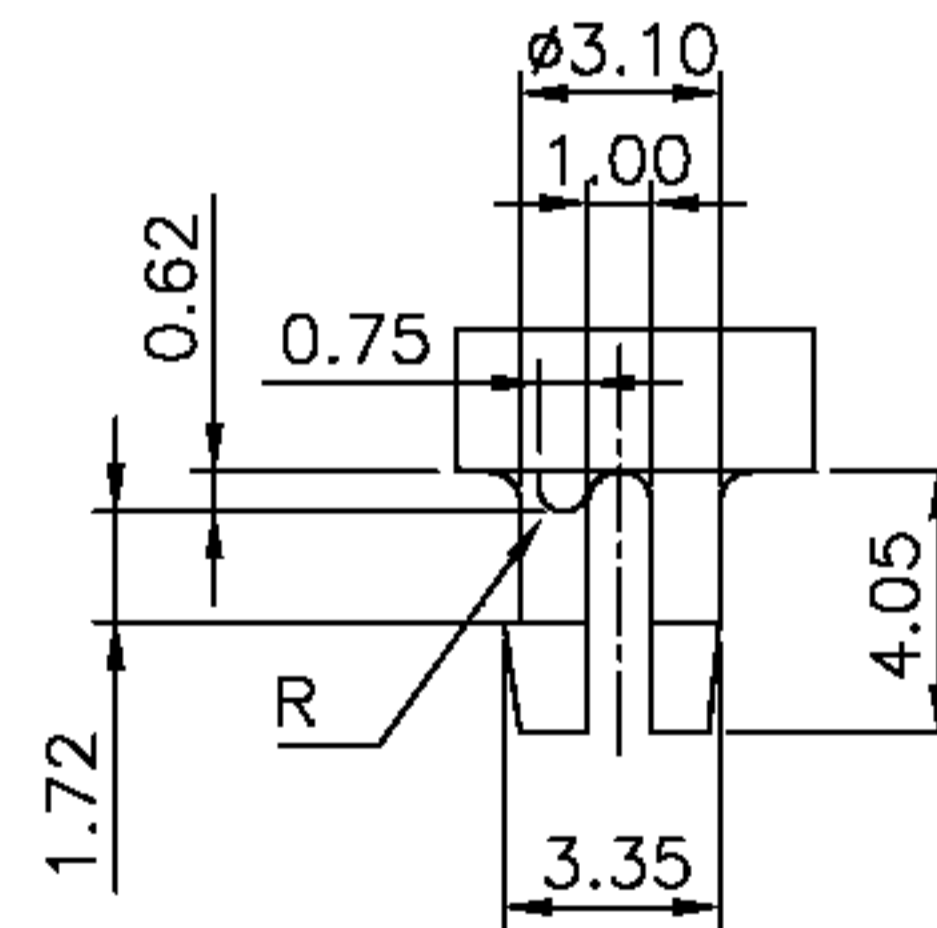
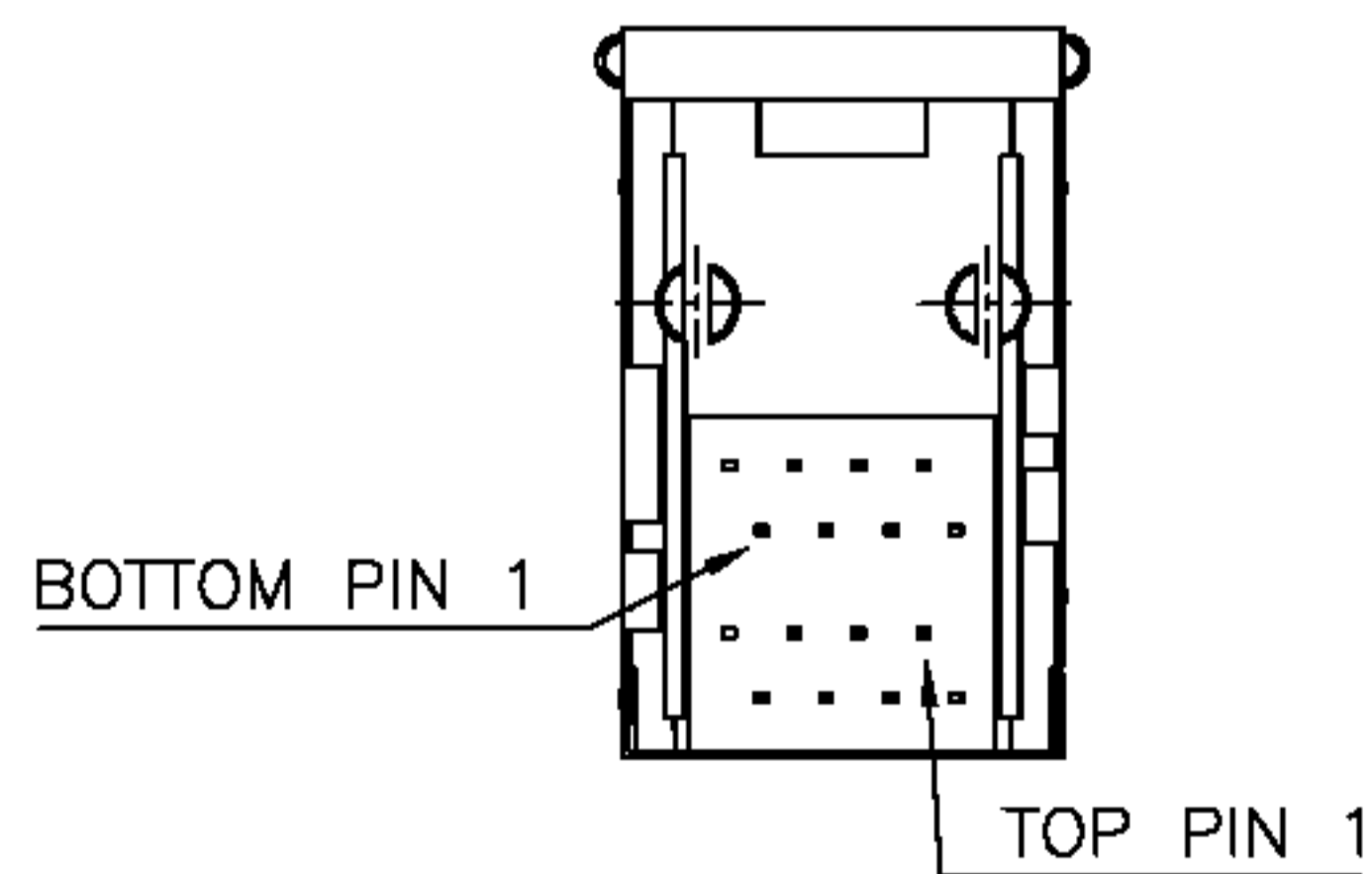
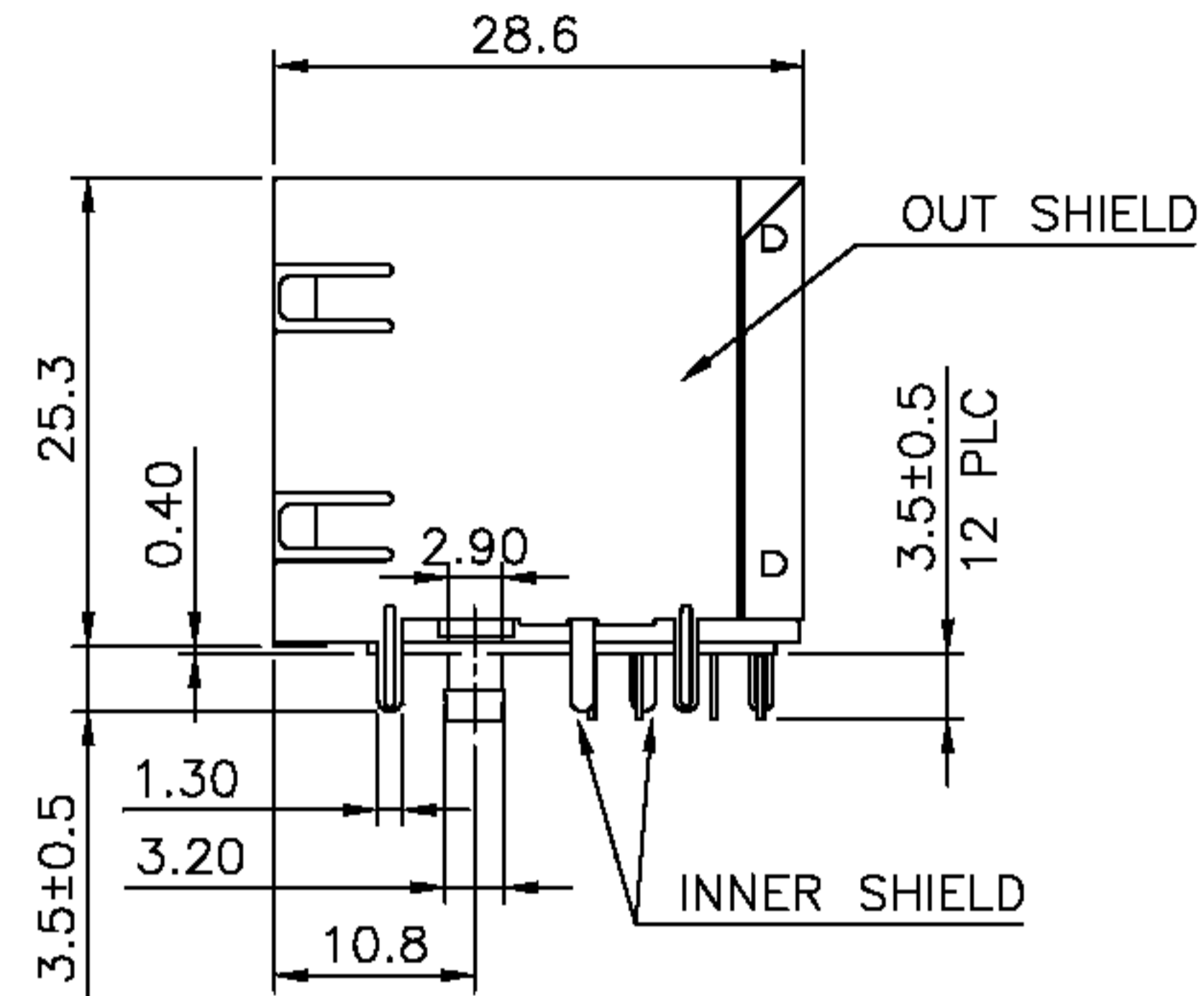
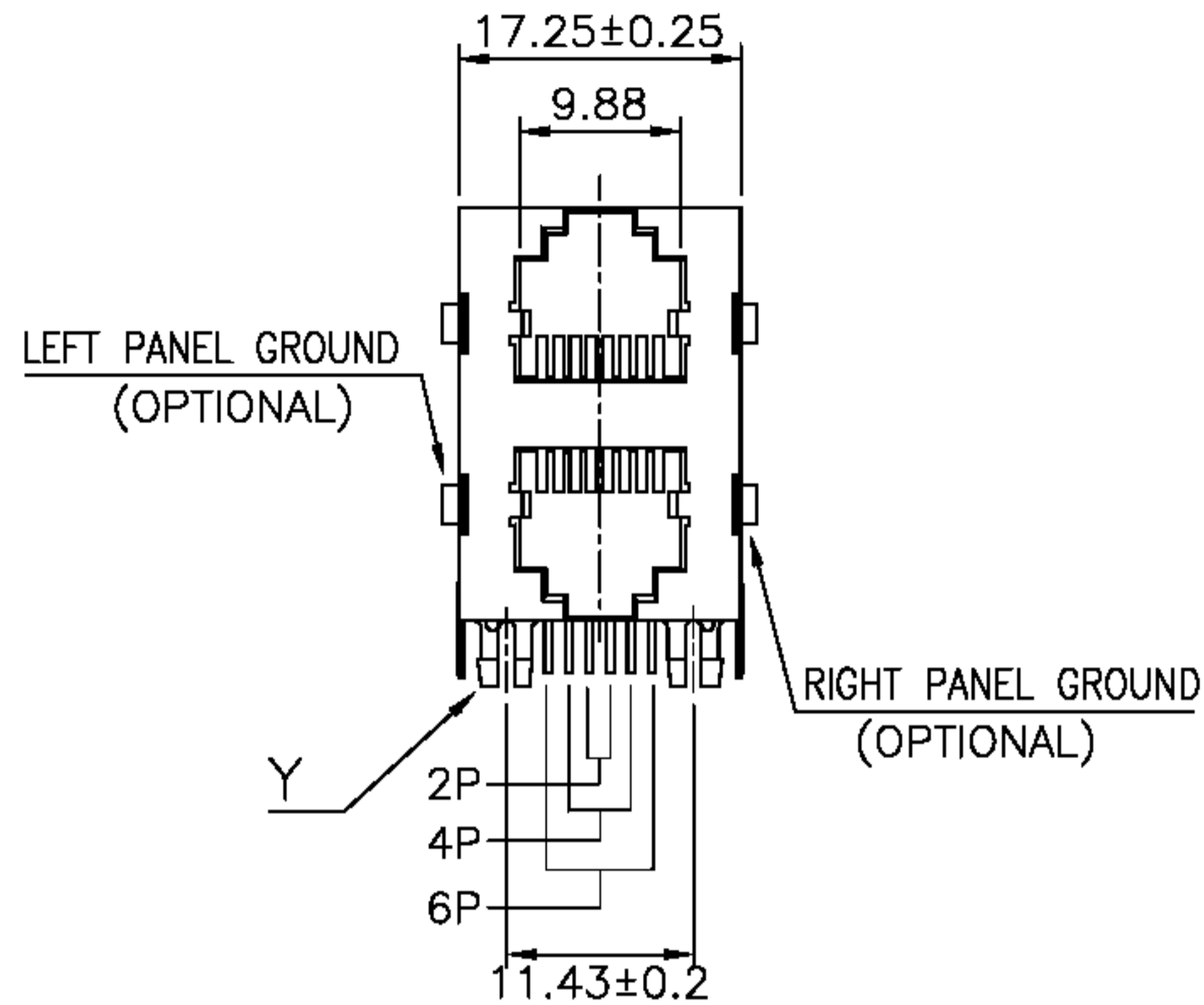


RoHS Compliance



DO NOT SCALE DRAWING		TOLERANCES UNLESS OTHERWISE NOTED		INCH	MM	DR. <i>C.IAN.CI.LUO</i>	DATE NOV-24 '09	淮洋有限公司 HUIYANG CO.,LTD. TEL : 886-2-8261-8986 FAX : 886-2-8261-1885 www.hy1688.com.tw 236新北市土城區中央路二段191號10樓之5			
THIRD ANGLE PROJECTION		LINEAR	$\frac{\text{MM}}{\text{INCH}}$	$00 \pm .01$ $000 \pm .005$ $0000 \pm .002$	0.0 ± 0.25 0.00 ± 0.13 0.000 ± 0.05	CK'D <i>M.CHANG</i>	NOV-24 '09	TITLE 2X1 6POSITIONS RIGHT ANGLE SHIELDED PCB JACK			
MM INCH	ANGLE $\pm 0^\circ 30'$	RADII		± 0.40 -0.15	APP'D <i>W.J.YANG</i>	NOV-25 '09	SCALE	SIZE	DWG.NO. 973101	REV. 4	SHEET 1