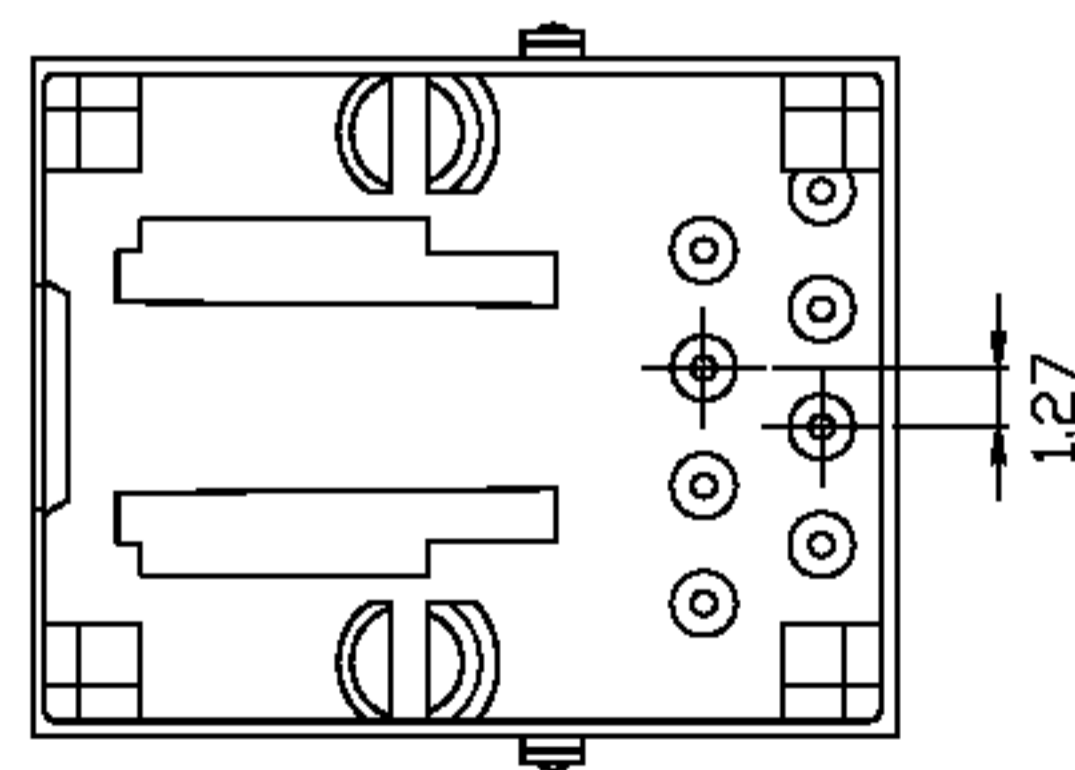
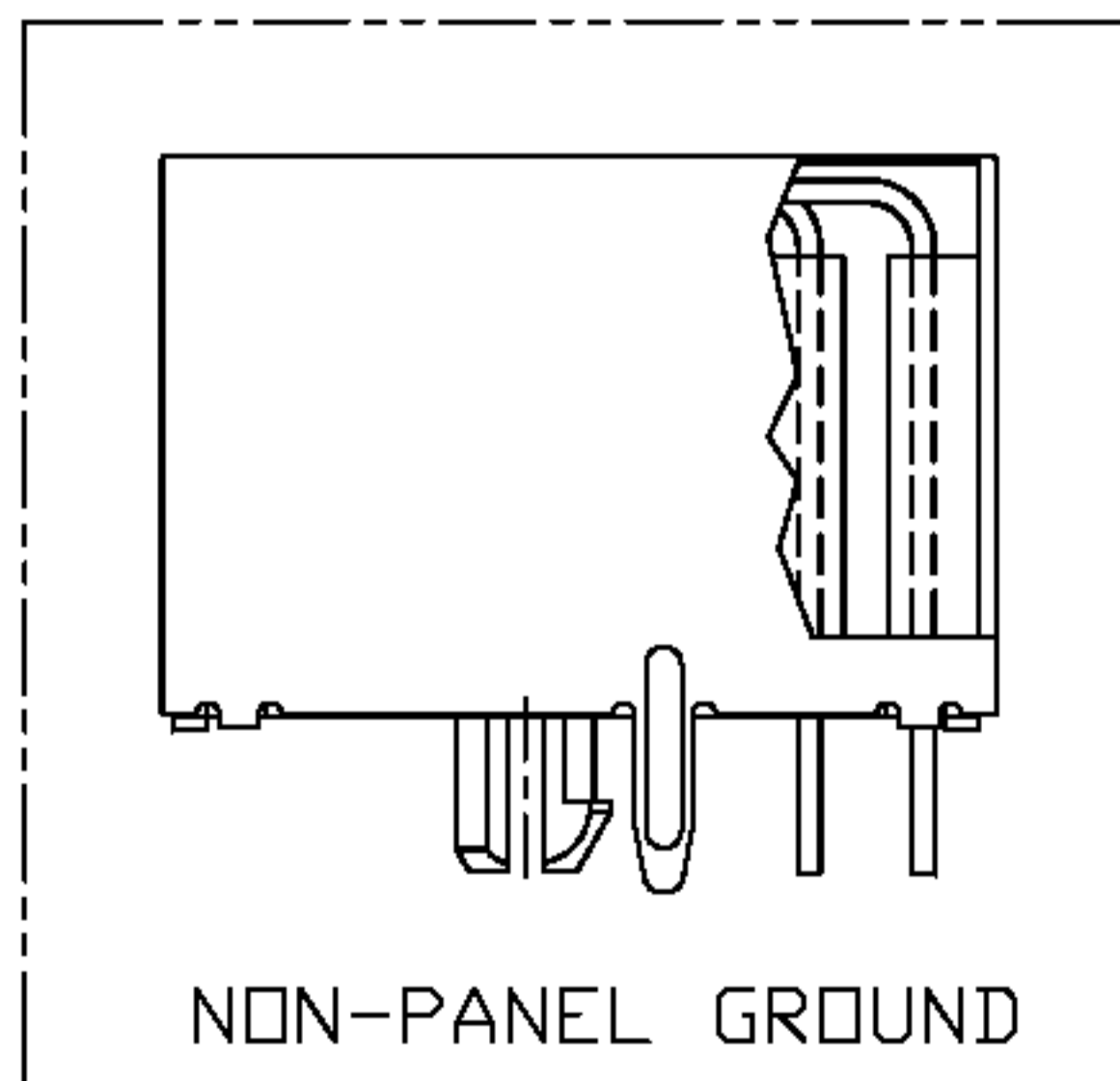


RJ45
PC Board Layout



DO NOT SCALE DRAWING	TOLERANCES UNLESS OTHERWISE NOTED	INCH	MM	DR. M.L.HUANG	DATE JUN-19 '00	淮洋有限公司 HUI YANG CO., LTD. TEL : 886-2-8261-8986 FAX : 886-2-8261-1885 www.hy1688.com.tw 236新北市土城區中央路二段191號10樓之5	
 THIRD ANGLE PROJECTION	LINEAR $\frac{\text{MM}}{\text{INCH}}$	$00 \pm .01$ $000 \pm .005$ $0000 \pm .002$	0.0 ± 0.25 0.00 ± 0.13 0.000 ± 0.05	CK'D M.CHANG	JUN-19 '00	TITLE 8POS SHIELDED FILTERED & FILTERLESS SIDE ENTRY PCB JACK	
MM INCH	ANGLE $\pm 0^{\circ} 30'$	RADII	± 0.40 $- 0.15$	APP'D W.J.YANG	JUL-04 '00	SCALE SIZE DWG.NO. 972106	REV. SHEET 1 1