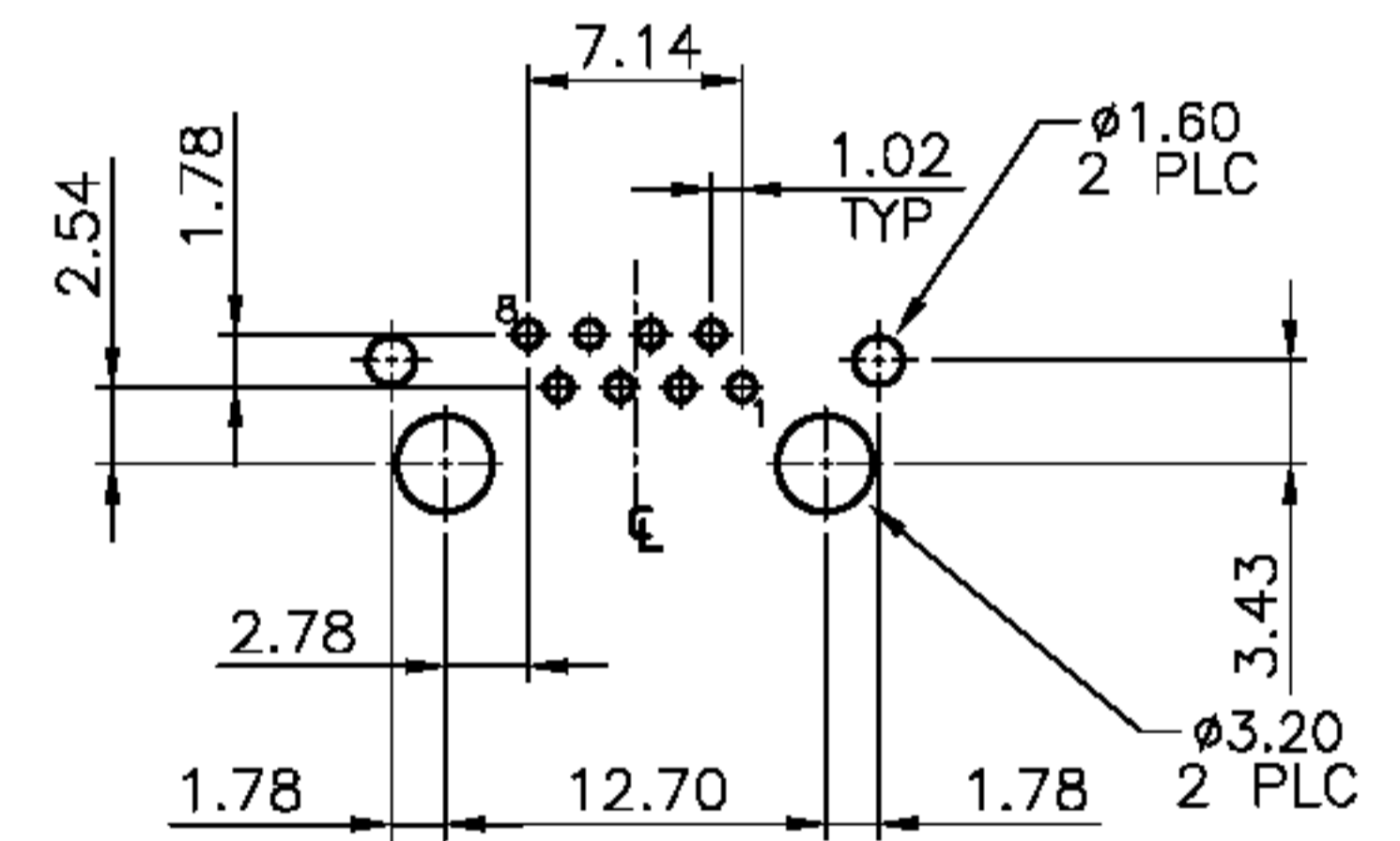
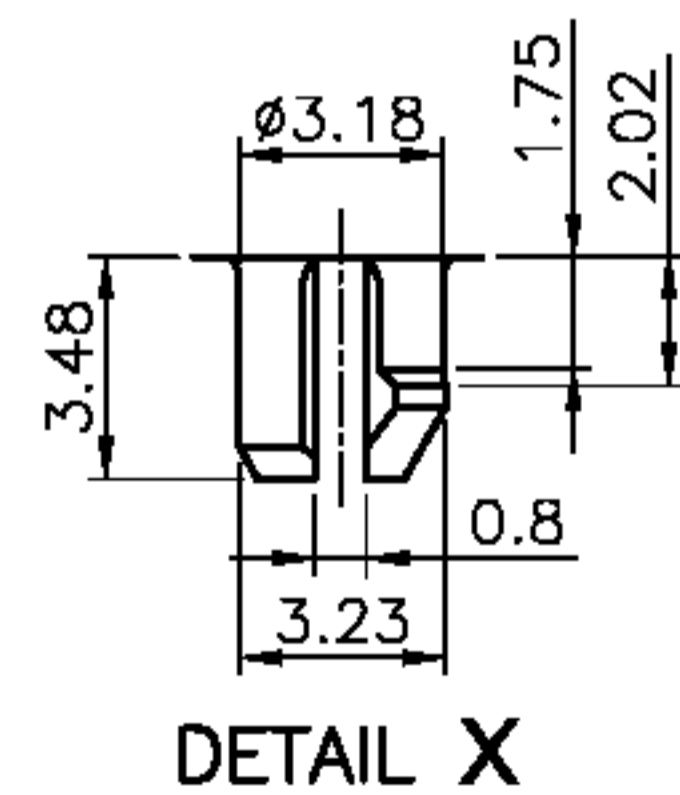
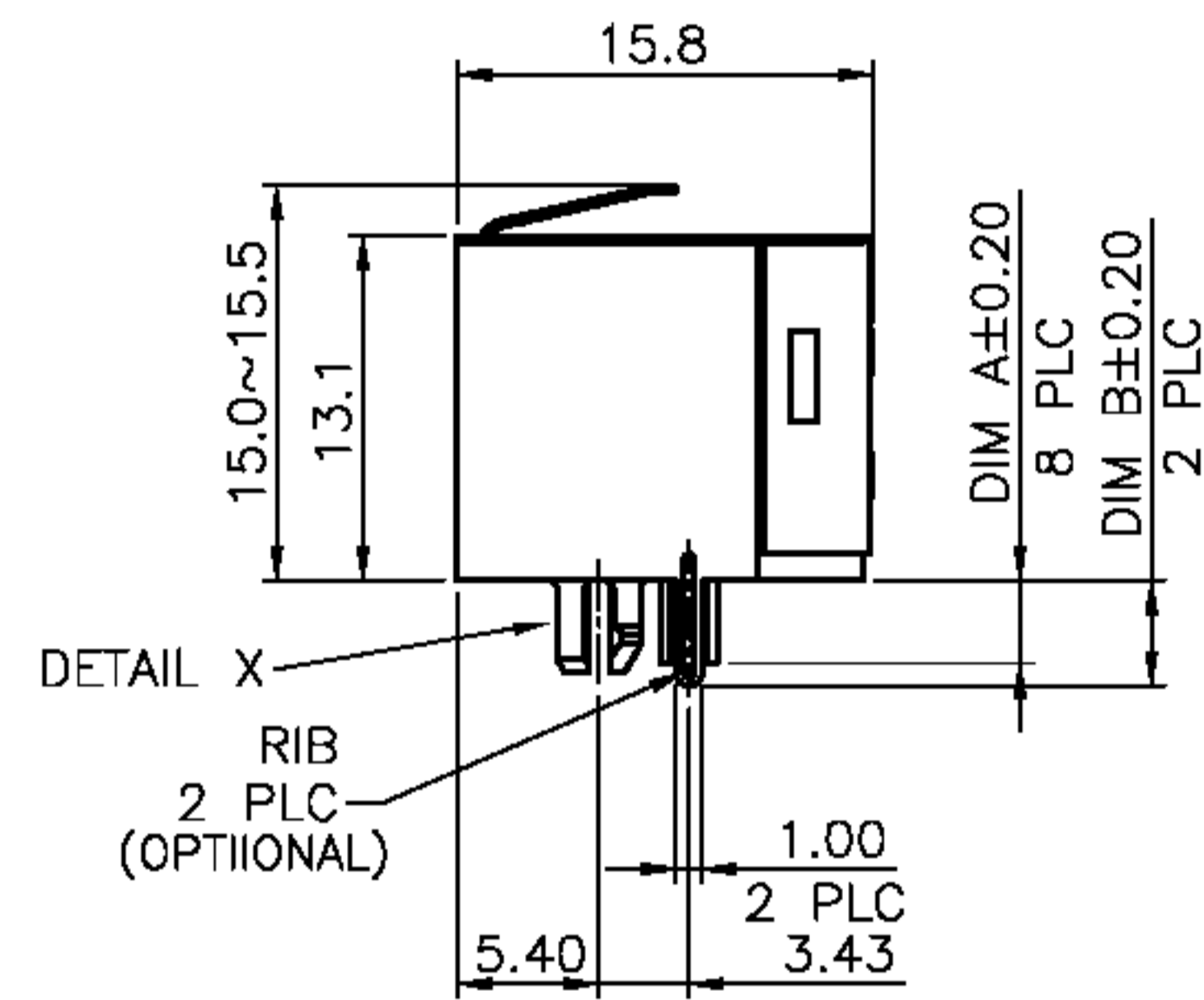
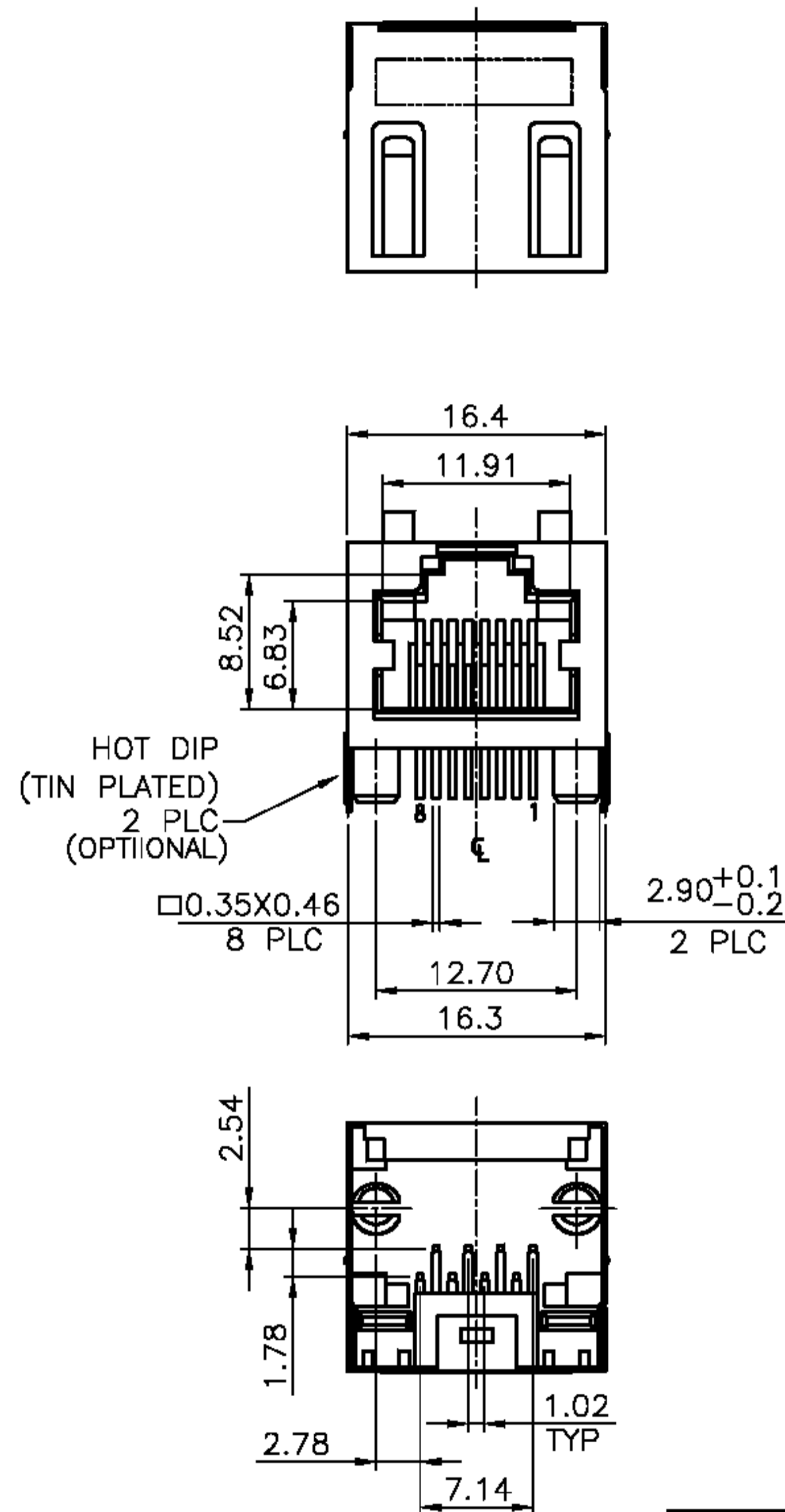


RoHS Compliance



PCB LAYOUT (TOP VIEW)
RECOMMENDED

DO NOT SCALE DRAWING	TOLERANCES UNLESS OTHERWISE NOTED	INCH	MM	DR. <i>M.L.HUANG</i>	DATE FEB-20 '08	淮洋有限公司 HUI YANG CO., LTD. TEL : 886-2-8261-8986 FAX : 886-2-8261-1885 www.hy1688.com.tw 236 新北市土城區中央路二段191號10樓之5			
 THIRD ANGLE PROJECTION	LINEAR $\frac{\text{MM}}{\text{INCH}}$	00 \pm 000 \pm 0000 \pm	0.0 \pm 0.25 0.00 \pm 0.13 0.000 \pm 0.05	CK'D <i>M.CHANG</i>	FEB-20 '08	TITLE RJ45, WITHOUT LED, SHIELDED FLAT PIN, SIDE ENTRY JACK			
MM INCH	ANGLE $\pm 0^{\circ} 30'$	RADII	± 0.40 -0.15	APP'D <i>W.J.YANG</i>	FEB-21 '08	SCALE SIZE DWG.NO. 971450	REV. 1	SHEET 1	