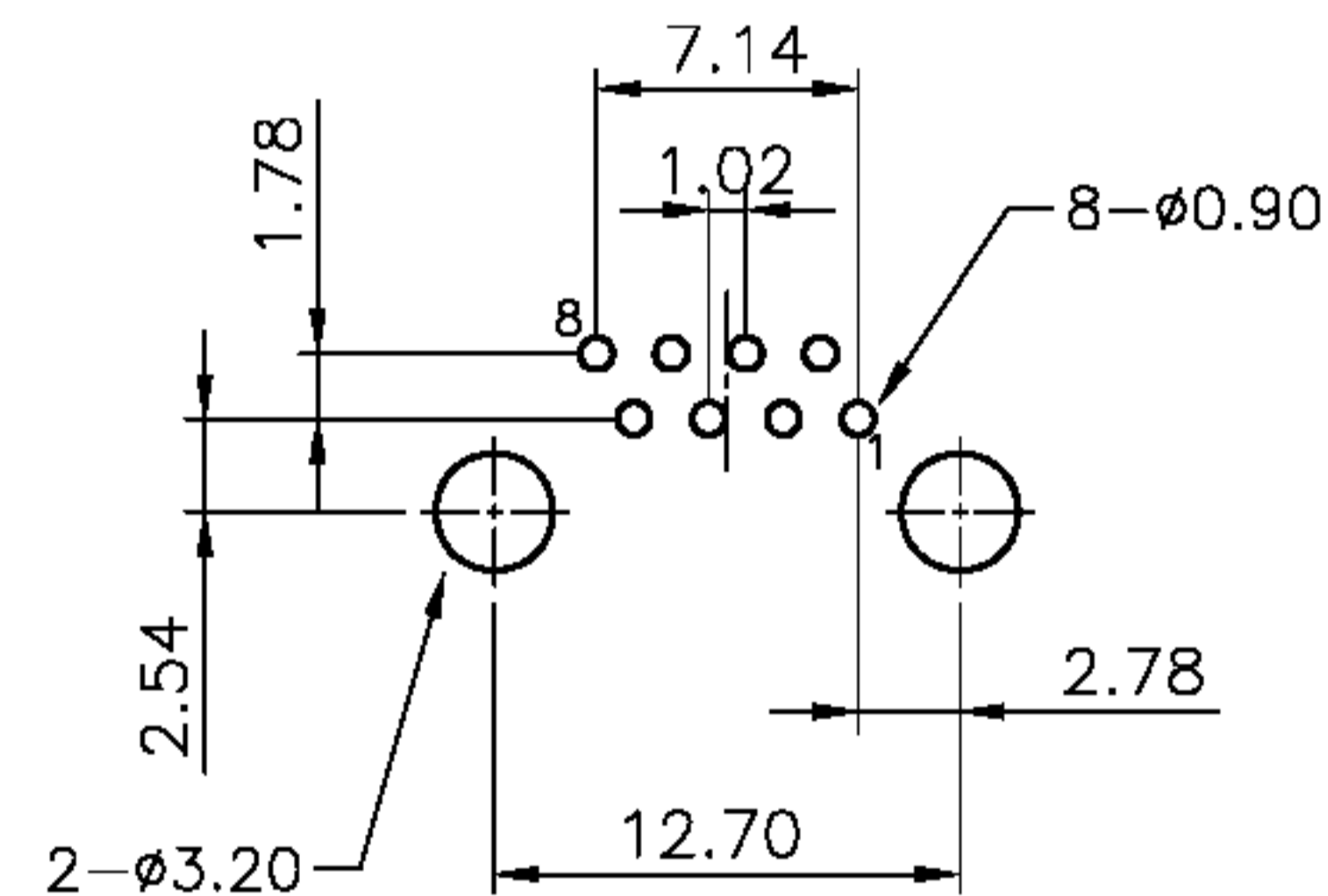
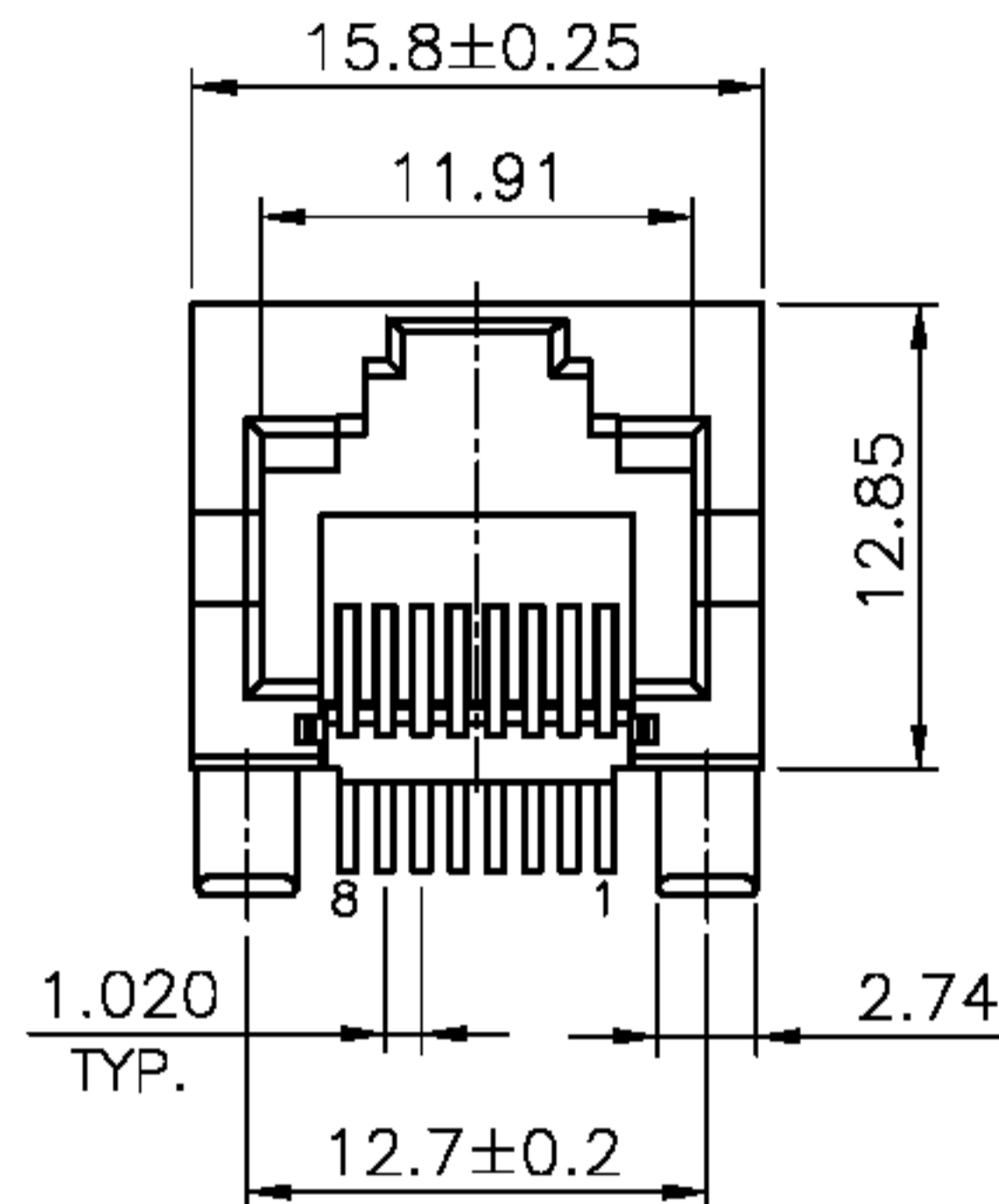
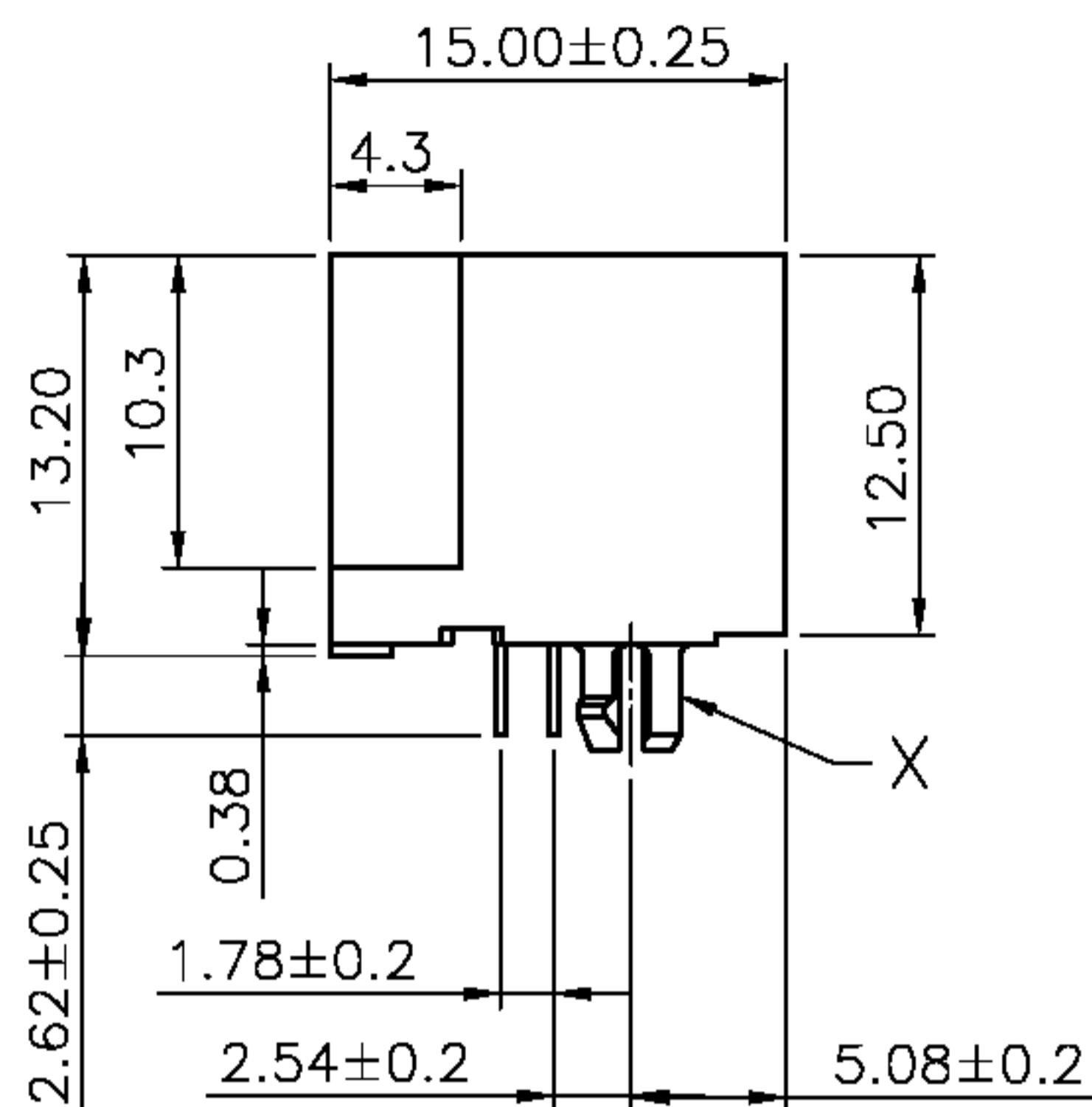
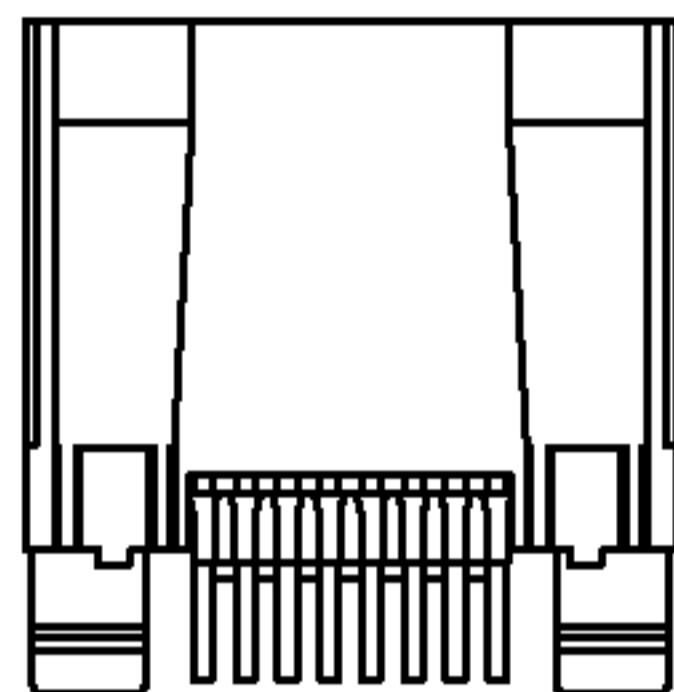
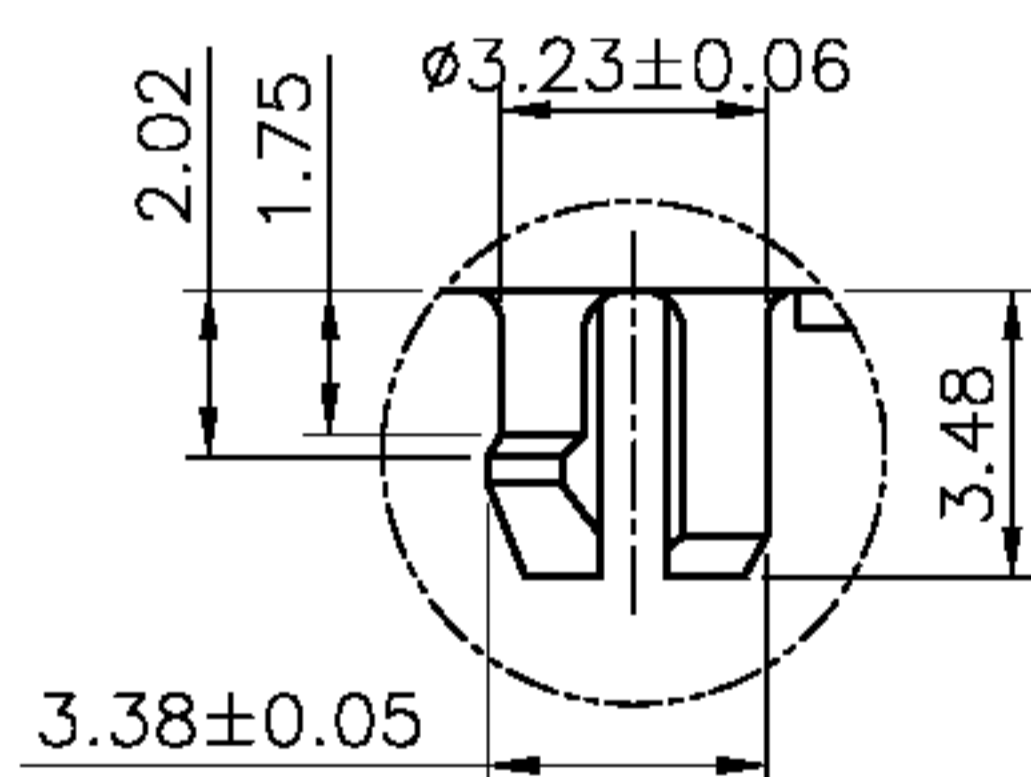


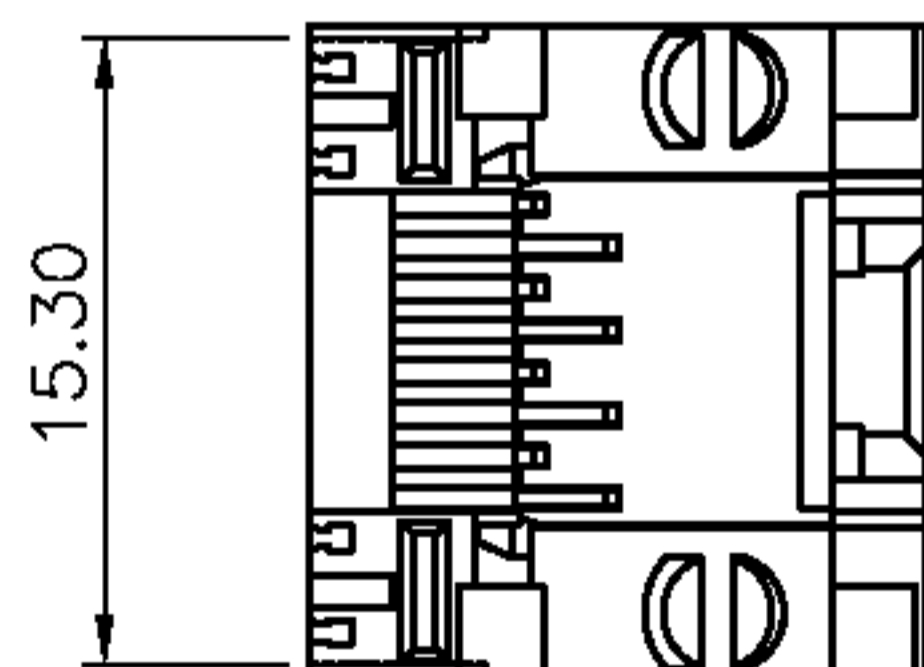
RoHS Compliance



PCB LAYOUT (TOP VIEW)
RECOMMENDED



DETAIL X



DO NOT SCALE DRAWING	TOLERANCES UNLESS OTHERWISE NOTED	INCH	MM	DR. <i>M.L.HUANG</i>	DATE JUL-03 '07	淮洋有限公司 HUI YANG CO.,LTD. TEL : 886-2-8261-8986 FAX : 886-2-8261-1885 www.hy1688.com.tw 236新北市土城區中央路二段191號10樓之5				
THIRD ANGLE PROJECTION	LINEAR $\frac{\text{MM}}{\text{INCH}}$	00± 000± 0000±	0.0±0.25 0.00±0.13 0.000±0.05	CK'D <i>M.CHANG</i>	JUL-03 '07	TITLE RJ45, W/O LED FLAT PIN, SIDE ENTRY JACK				
MM INCH	ANGLE ±0° 30'	RADII	+0.40 -0.15	APP'D <i>W.J.YANG</i>	JUL-04 '07	SCALE	SIZE	DWG.NO. 971449	REV. 1	SHEET 1