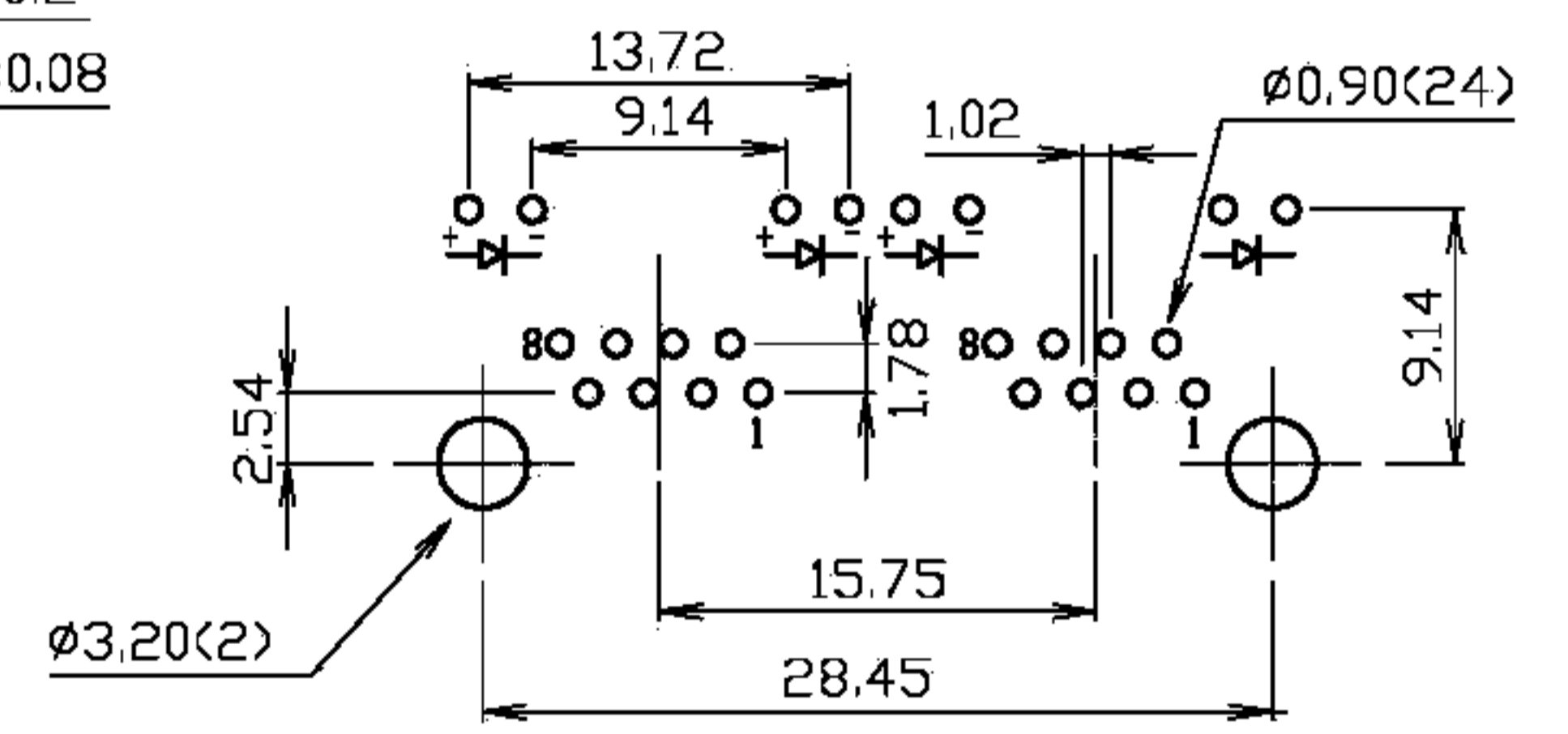
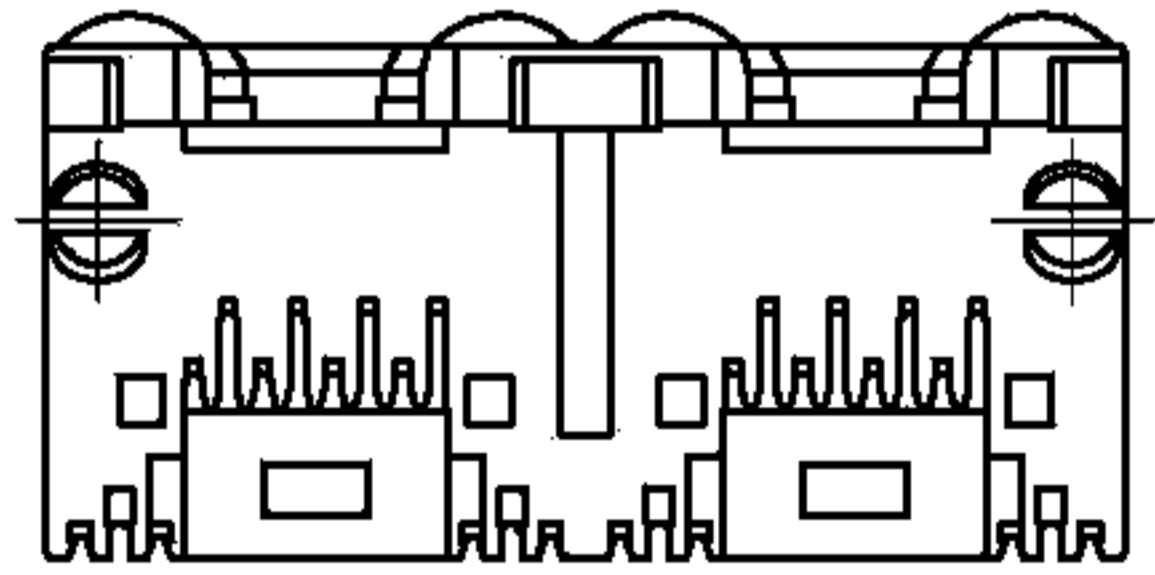
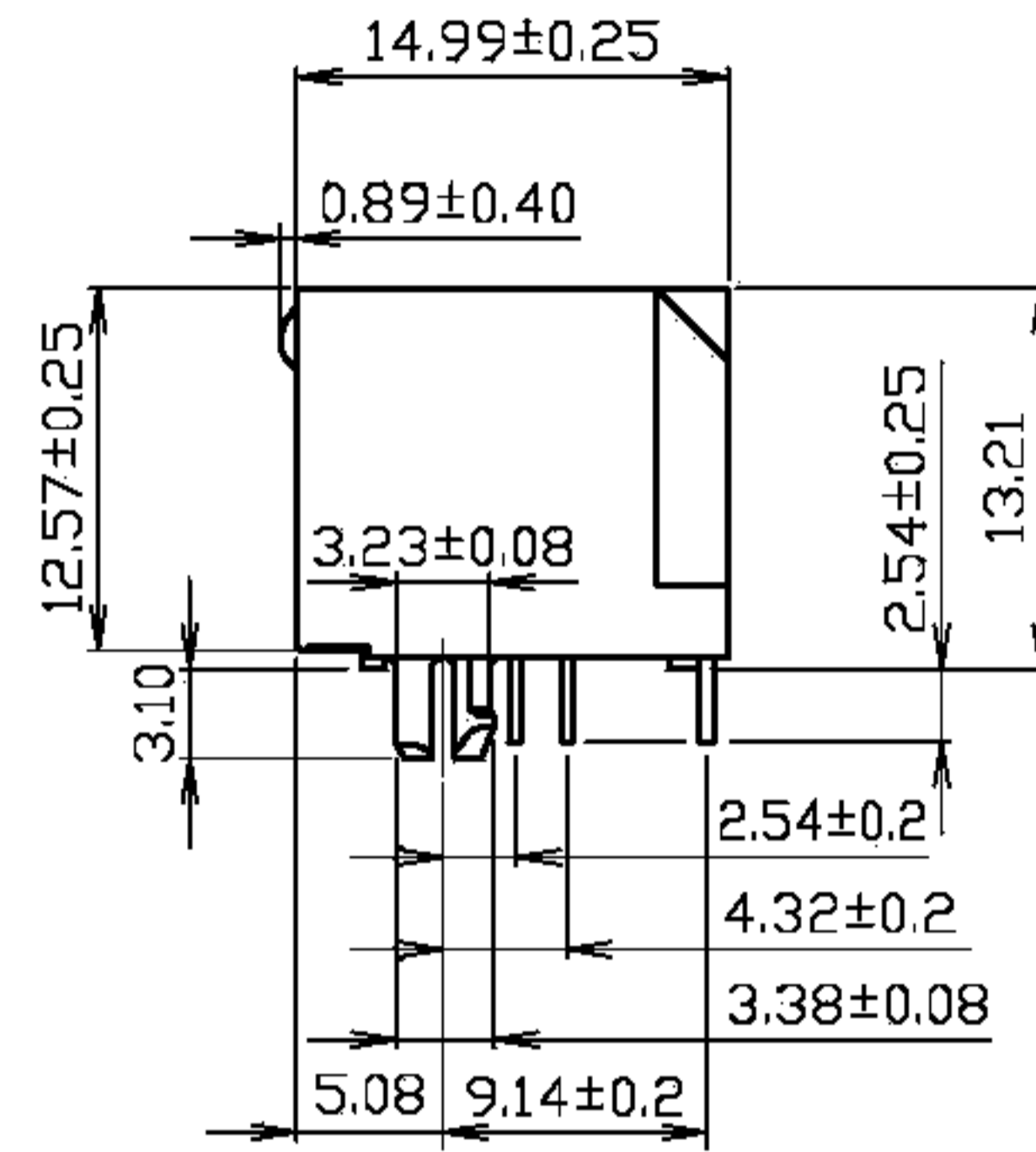
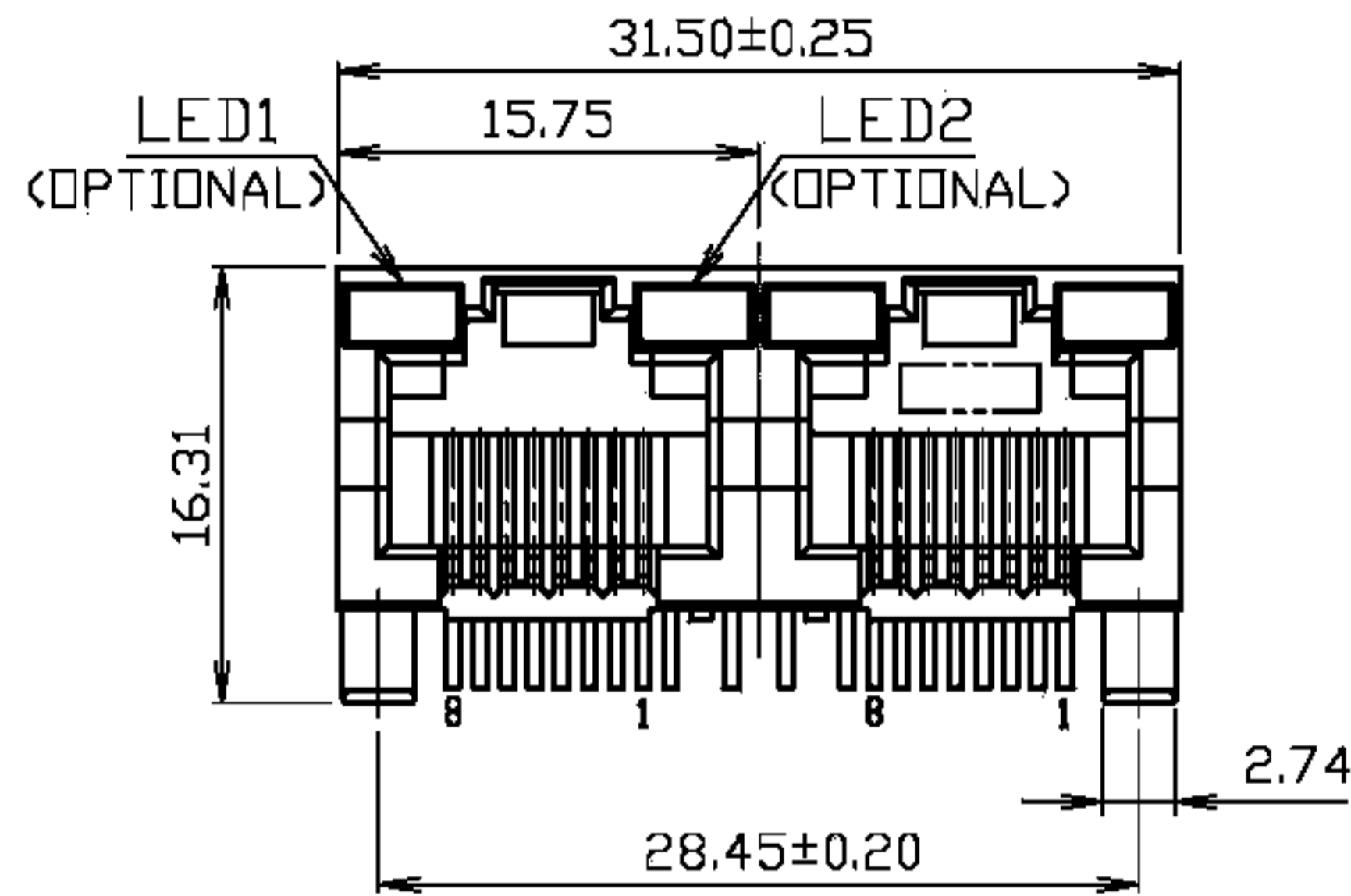


# RoHS Compliance



PCB LAYOUT Ref.

DO NOT SCALE DRAWING		TOLERANCES UNLESS OTHERWISE NOTED		INCH	MM	DR. <i>M.L.HUANG</i>	DATE JUN-01 '09	淮洋有限公司 HUIYANG CO.,LTD. TEL : 886-2-8261-8986 FAX : 886-2-8261-1885 www.hy1688.com.tw 236新北市土城區中央路二段191號10樓之5				
THIRD ANGLE PROJECTION		LINEAR	$\frac{\text{MM}}{\text{INCH}}$	$00 \pm .01$ $000 \pm .005$ $0000 \pm .002$	$0.0 \pm 0.25$ $0.00 \pm 0.13$ $0.000 \pm 0.05$	CK'D <i>M.CHANG</i>	JUN-01 '09	TITLE 2PORTS, WITH LED'S, SHIELDED SIDE ENTRY PCB GANGED JACK				
MM INCH	ANGLE $\pm 0^{\circ} 30'$	RADII			$+ 0.40$ $- 0.15$	APP'D <i>W.J.YANG</i>	JUN-01 '09	SCALE	SIZE	DWG.NO. 971435	REV. 8	SHEET 1