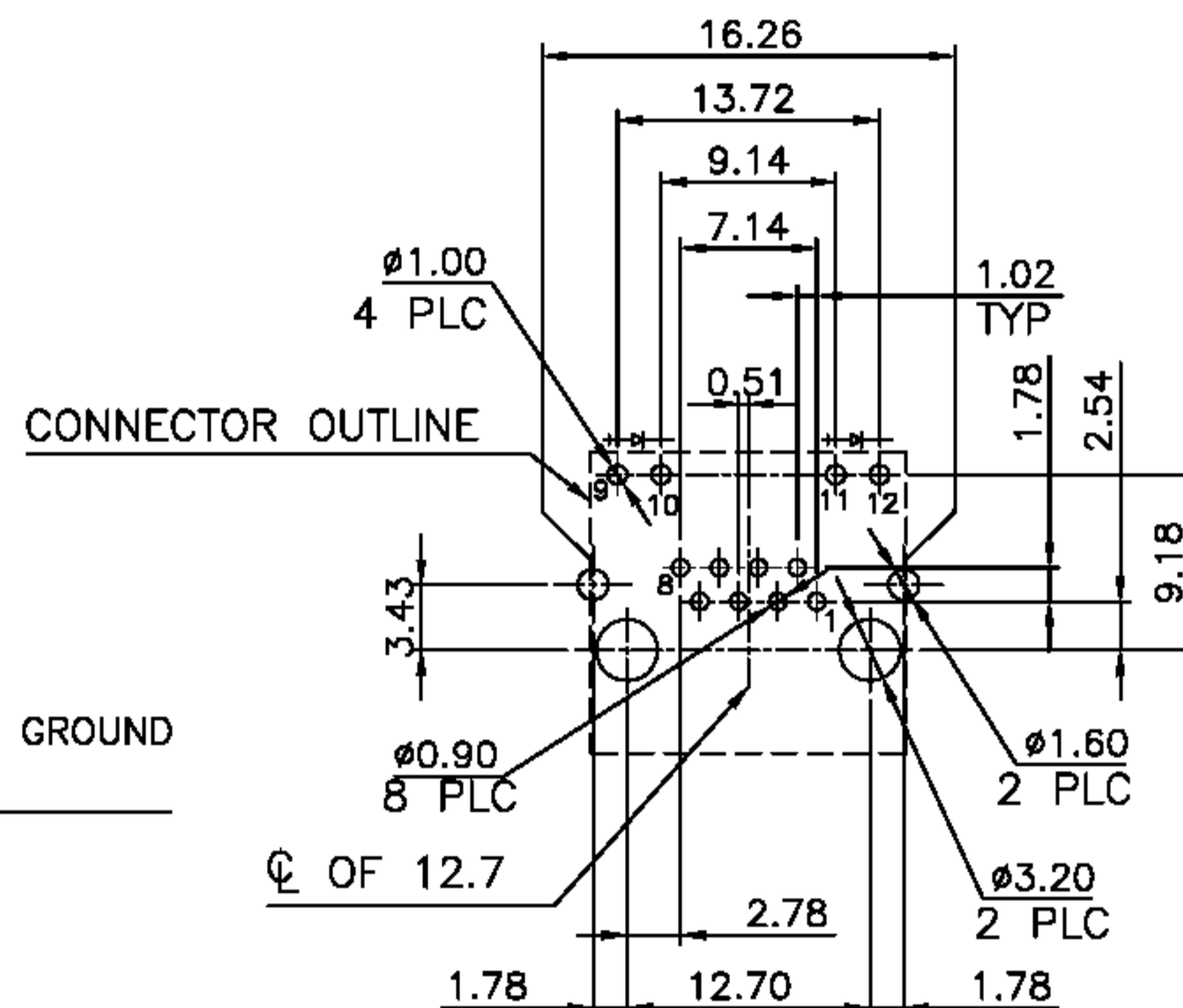
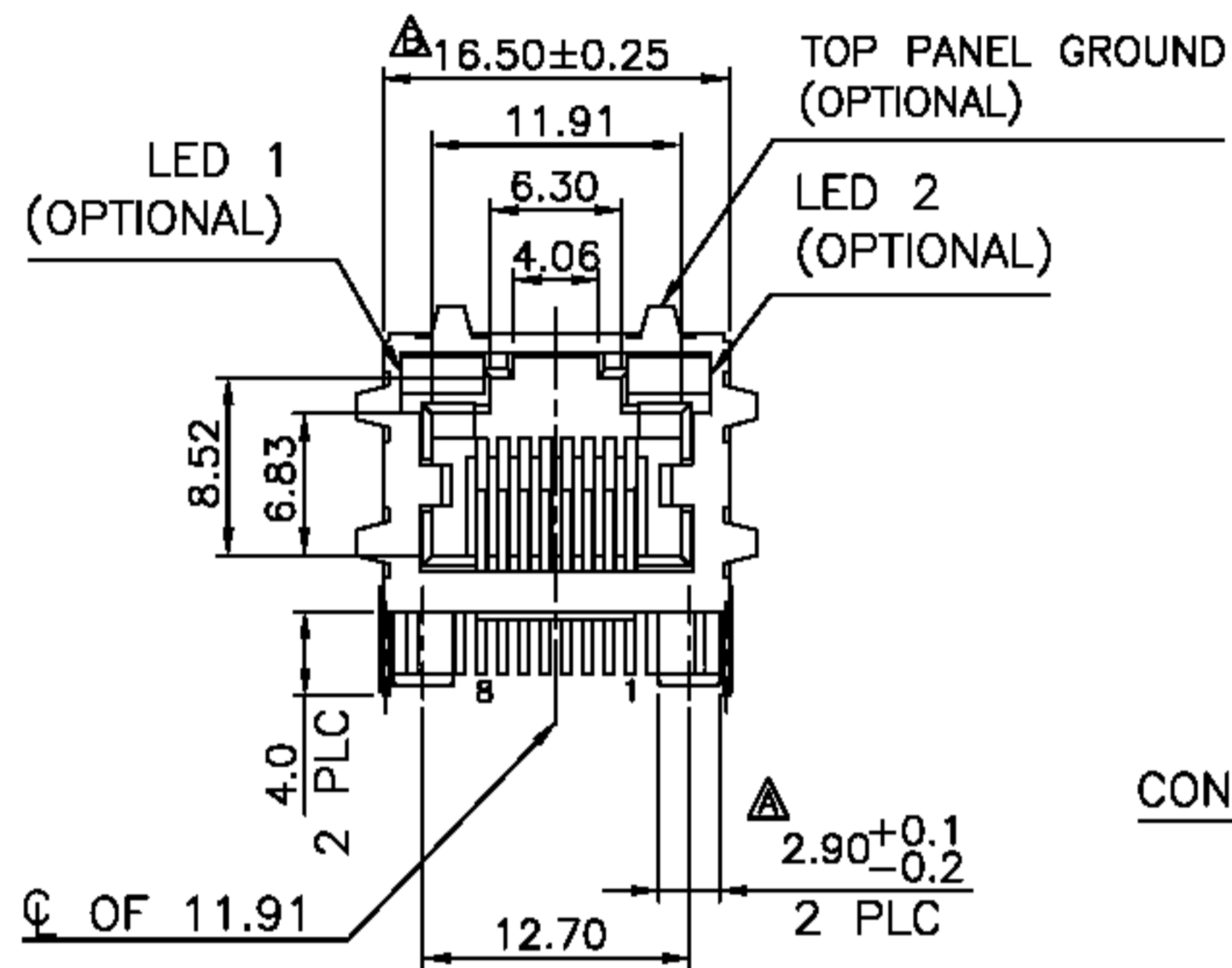
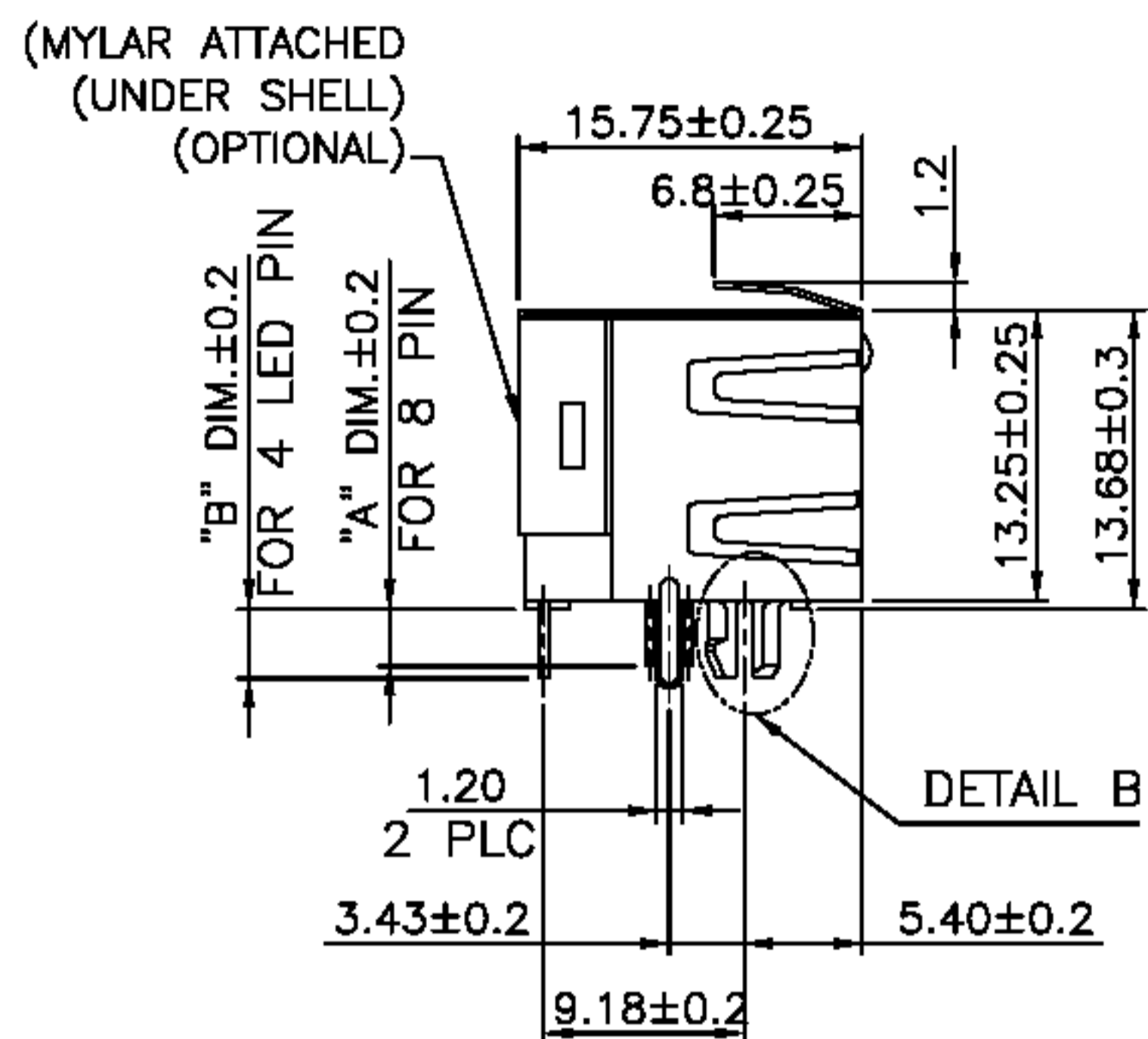
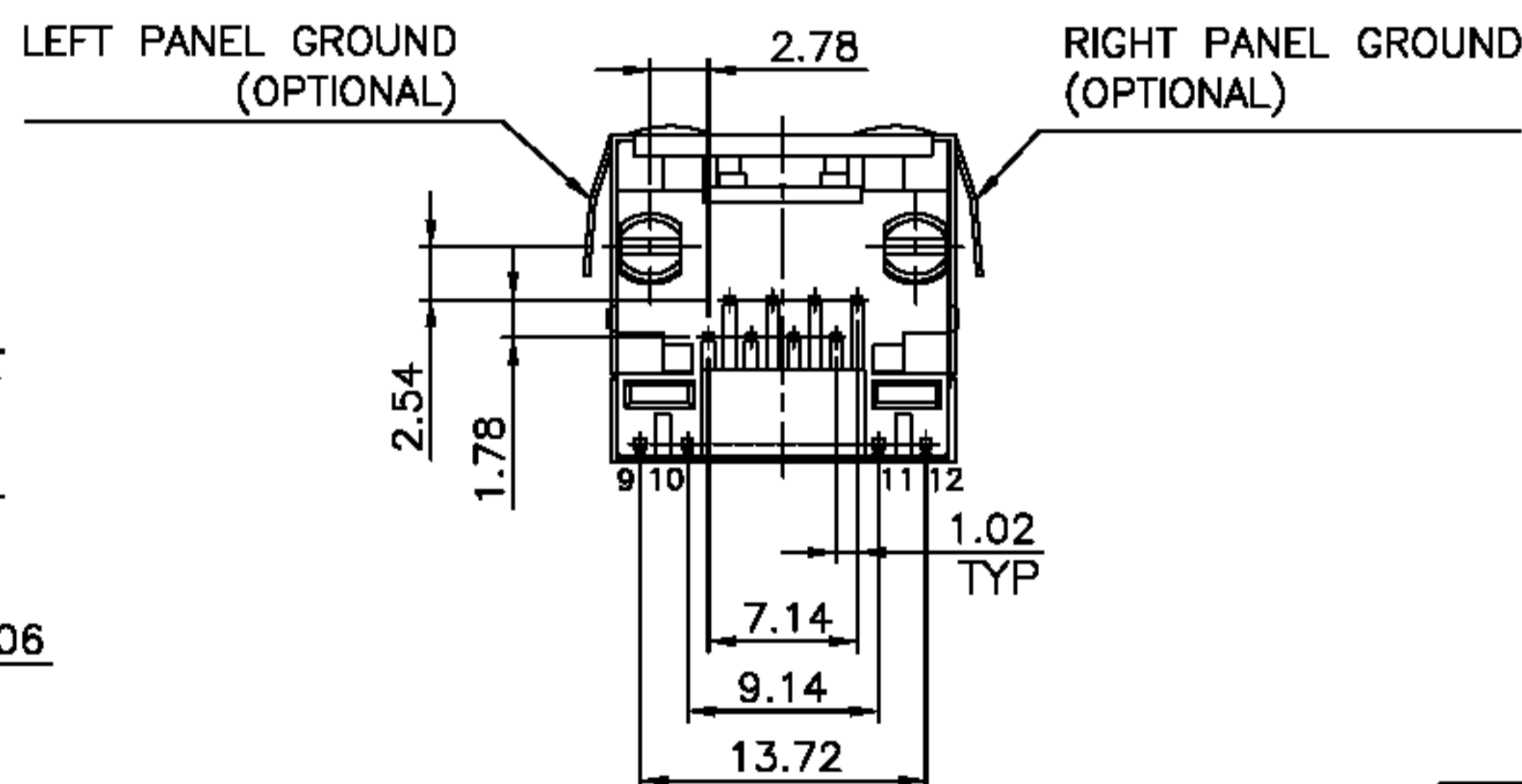
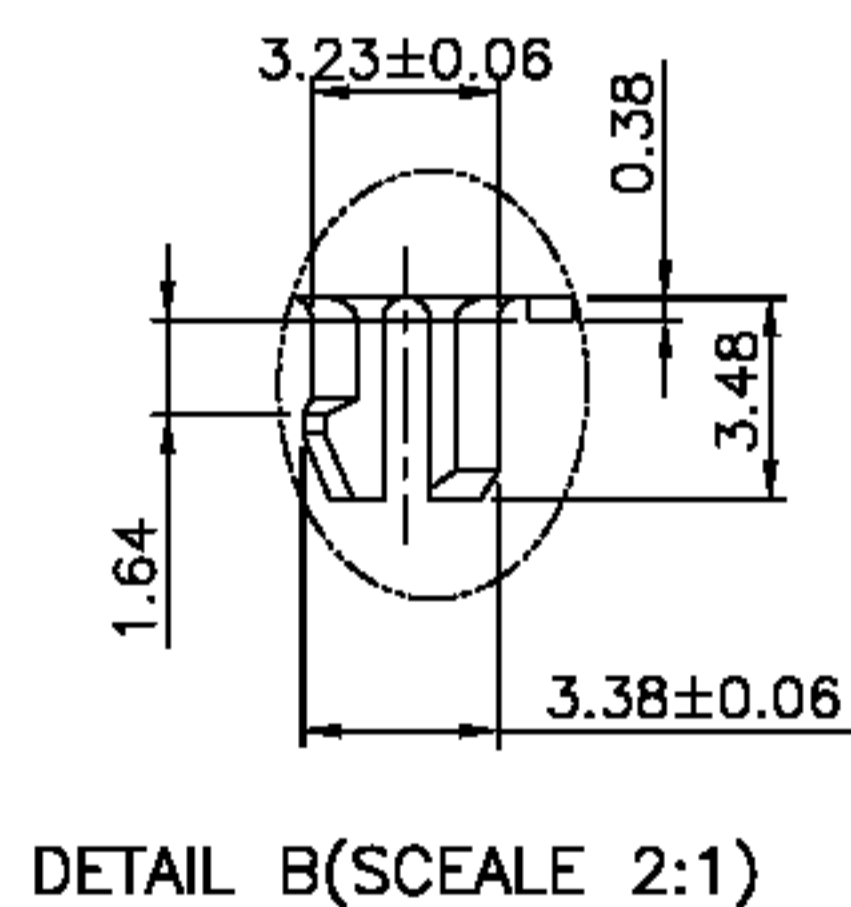
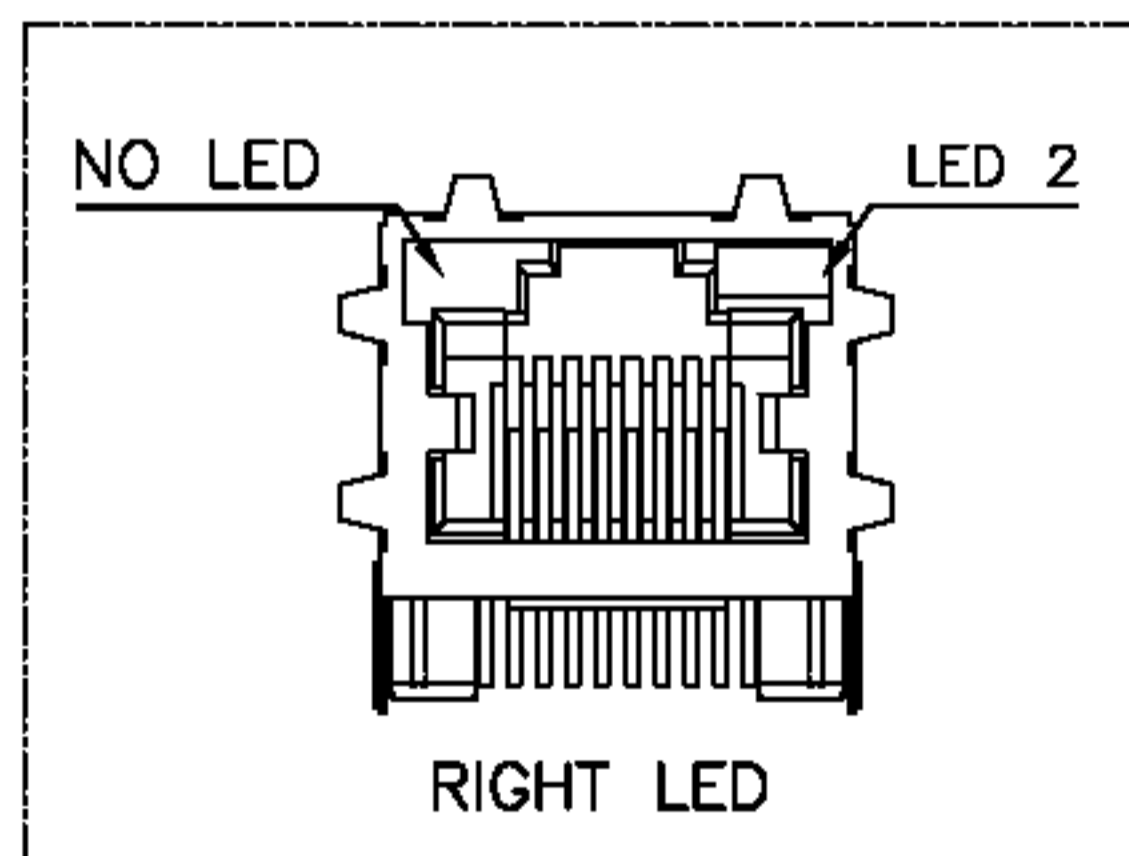


RoHS Compliance

REVISIONS			
LTR	DESCRIPTION	DATE	APP
▲	2.74±0.10	08/15/01	CHANG
▲	16.26±0.25	11/23/05	CHANG



RECOMMENDED PCB LAYOUT
TOLERANCE: ±0.05 (TOP VIEW)



DO NOT SCALE
DRAWING

TOLERANCES UNLESS
OTHERWISE NOTED

INCH

MM

DR.

CIAN.CI.LUO

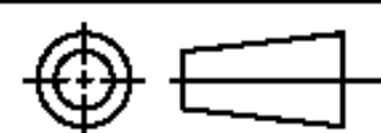
DATE

JUL-23 '10

淮洋有限公司 HUI YANG CO., LTD.

TEL : 886-2-8261-8986 FAX : 886-2-8261-1885

www.hy1688.com.tw 236新北市土城區中央路二段191號10樓之5



THIRD ANGLE PROJECTION

LINEAR

MM

INCH

00 ± .01
000 ± .005
0000 ± .002

0.0 ± 0.25
0.00 ± 0.13
0.000 ± 0.05

CK'D

M. CHANG

JUL-23 '10

TITLE RJ45, WITH LED'S, SHIELDED
FLAT PIN, SIDE ENTRY JACK

MM
INCH

RADII

+ 0.40
- 0.15

APP'D

W.J. YANG

JUL-23 '10

SCALE SIZE DWG.NO.

971403

REV.

11

SHEET

1