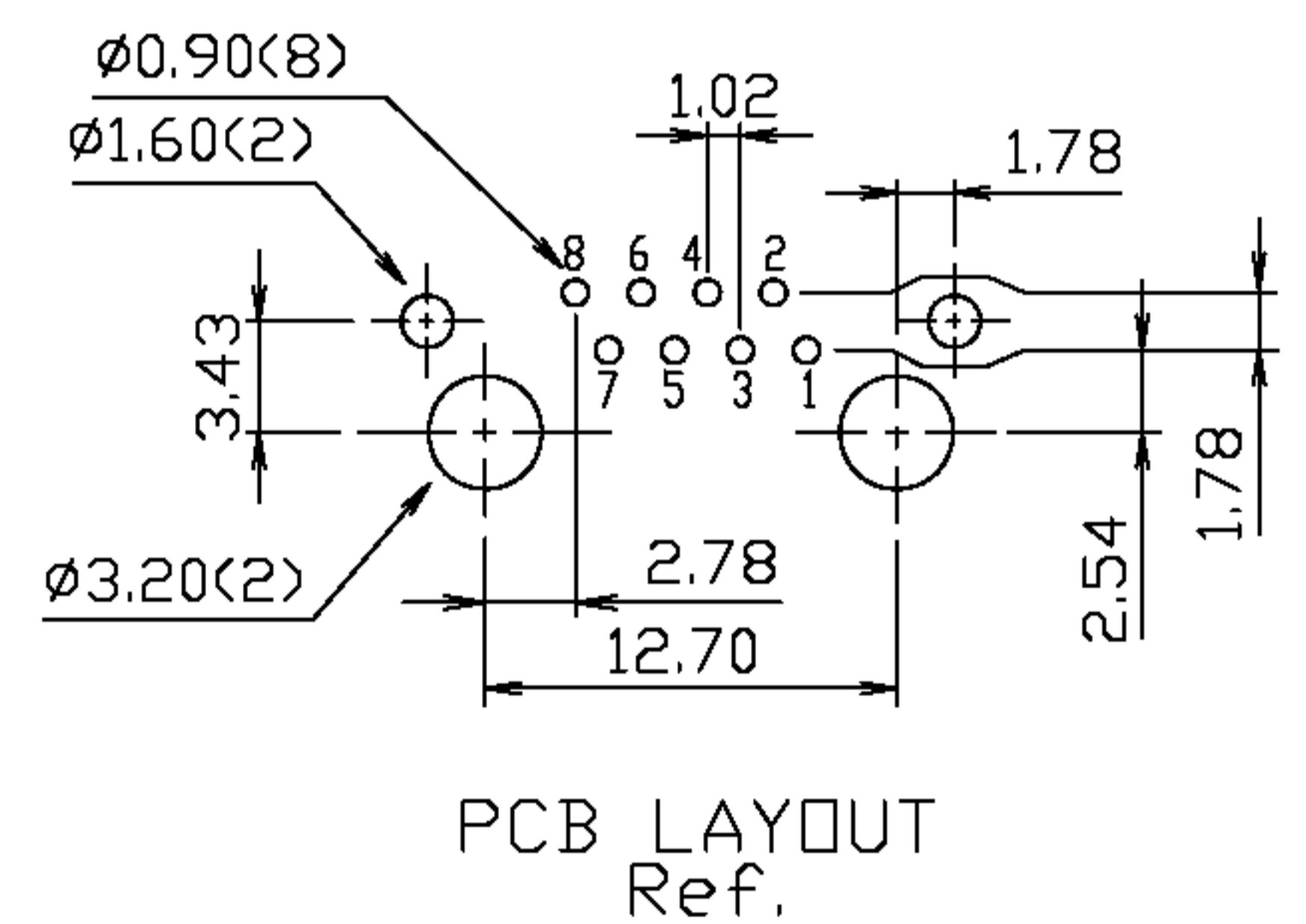
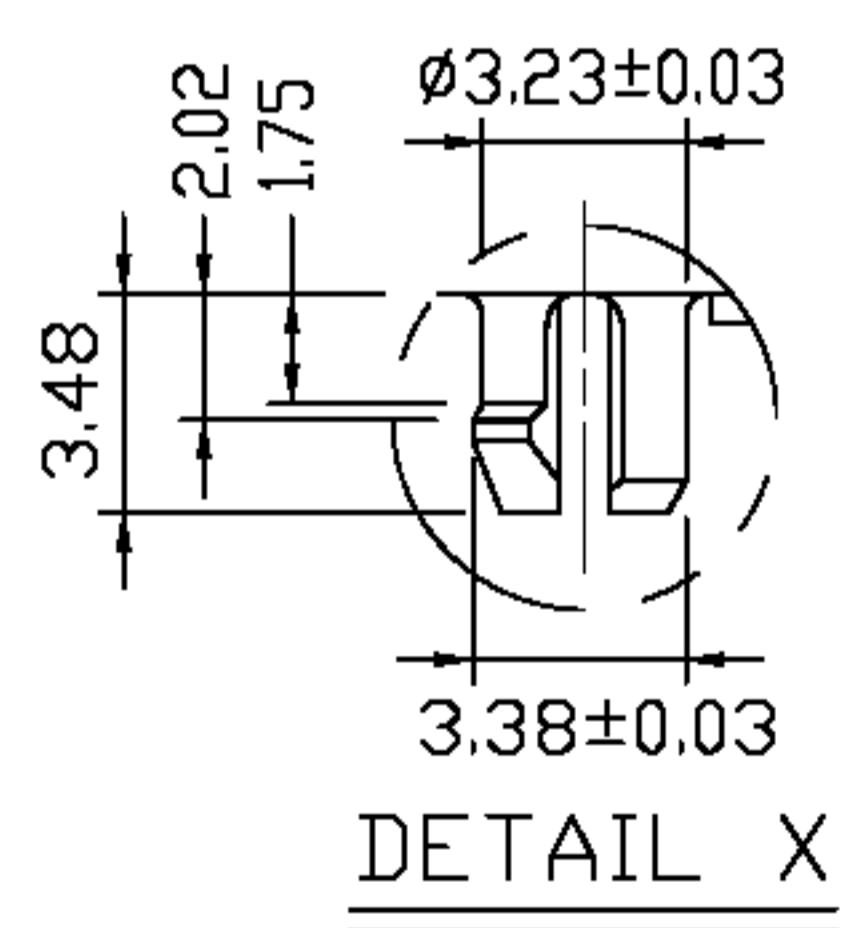
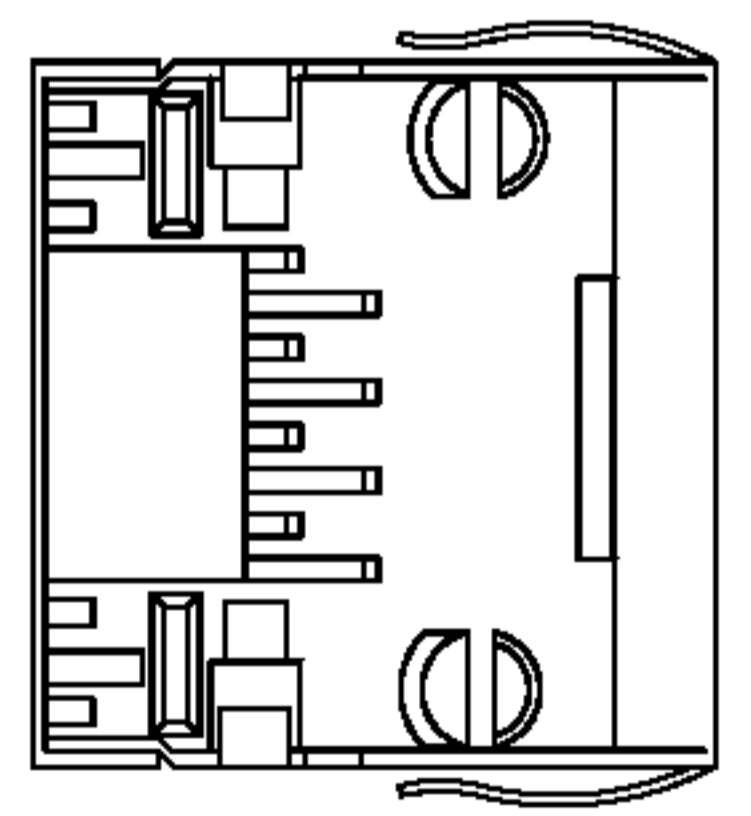
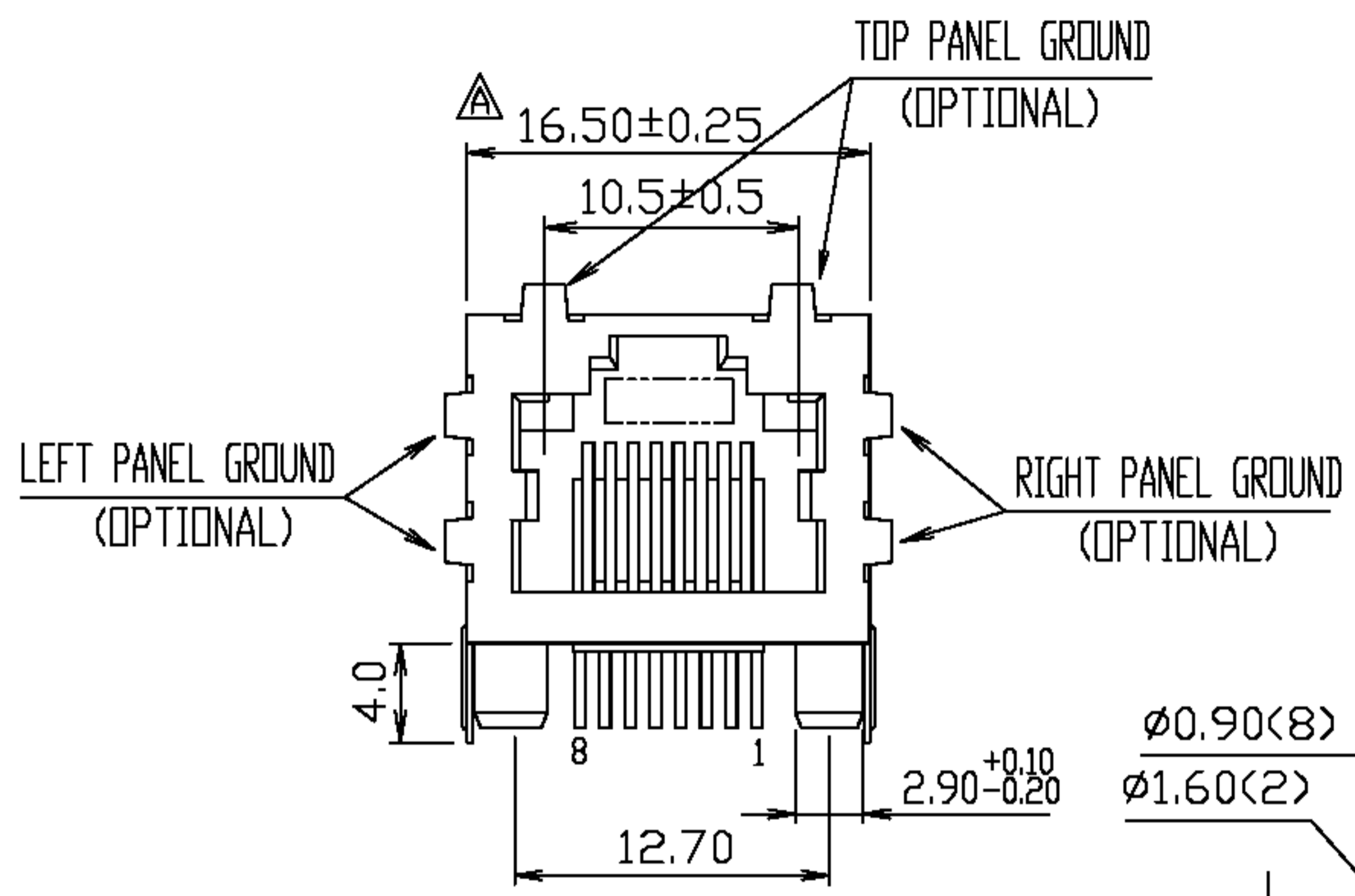


REVISIONS			
LTR	DESCRIPTION	DATE	APP
△	16.26±0.25	11/23/'05	CHANG



DO NOT SCALE DRAWING	TOLERANCES UNLESS OTHERWISE NOTED	INCH	MM	DR. <i>M.L.HUNAG</i>	DATE DEC-01 '05
THIRD ANGLE PROJECTION	LINEAR	MM INCH	0.0 ± 0.25 0.00 ± 0.13 0.000 ± 0.05	CK'D <i>M.CHANG</i>	DEC-01 '05
MM INCH	ANGLE ± 0° 30'	RADII	+ 0.40 - 0.15	APP'D <i>W.J.YANG</i>	DEC-02 '05

淮洋有限公司 HUI YANG CO., LTD. TEL : 886-2-8261-8986 FAX : 886-2-8261-1885 www.hy1688.com.tw 236新北市土城區中央路二段191號10樓之5	
TITLE 8POSITION, WITHOUT LED, SHIELDED FLAT PIN, SIDE ENTRY JACK	
SCALE SIZE DWG.NO. 971401	REV. SHEET 8 1