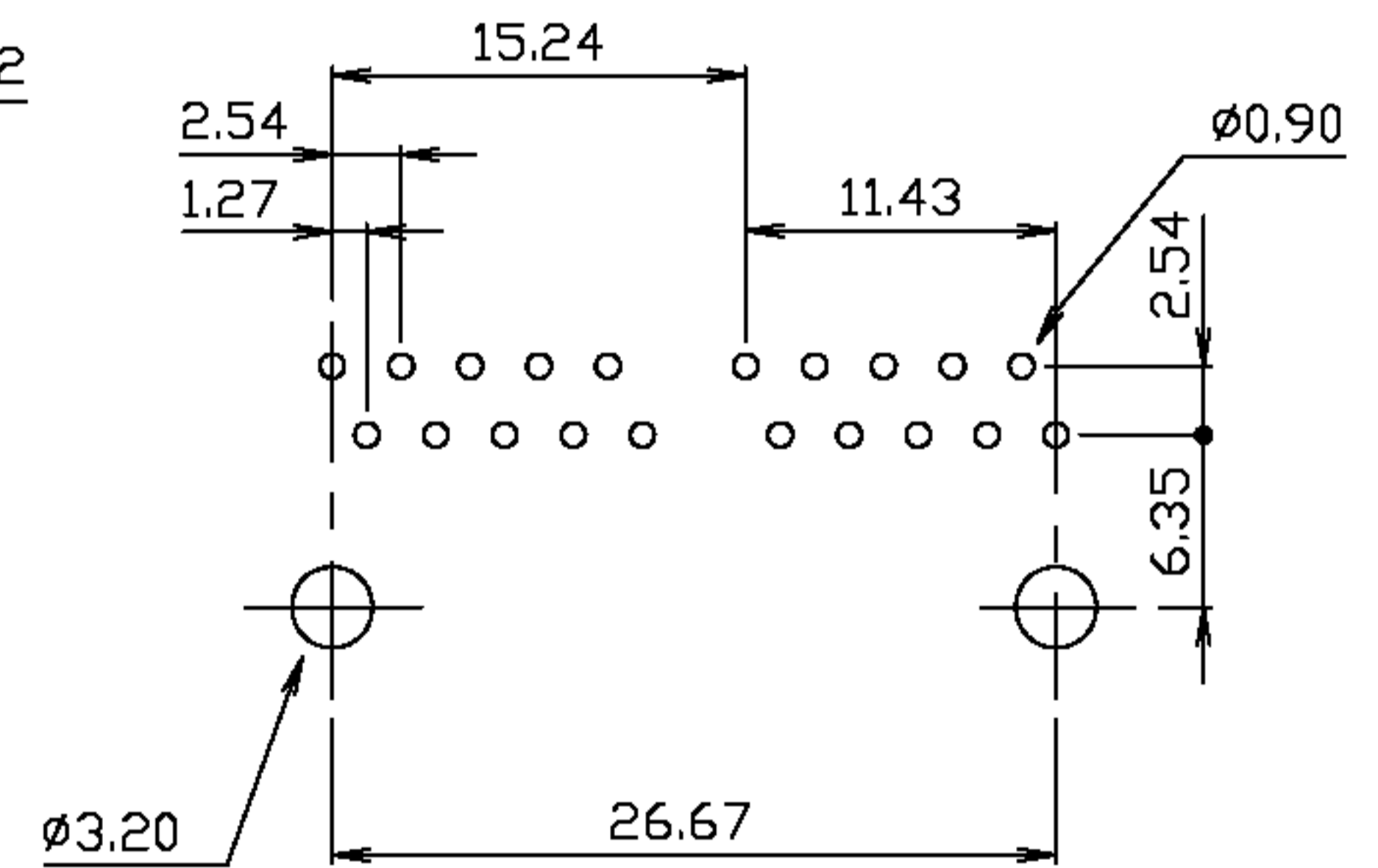
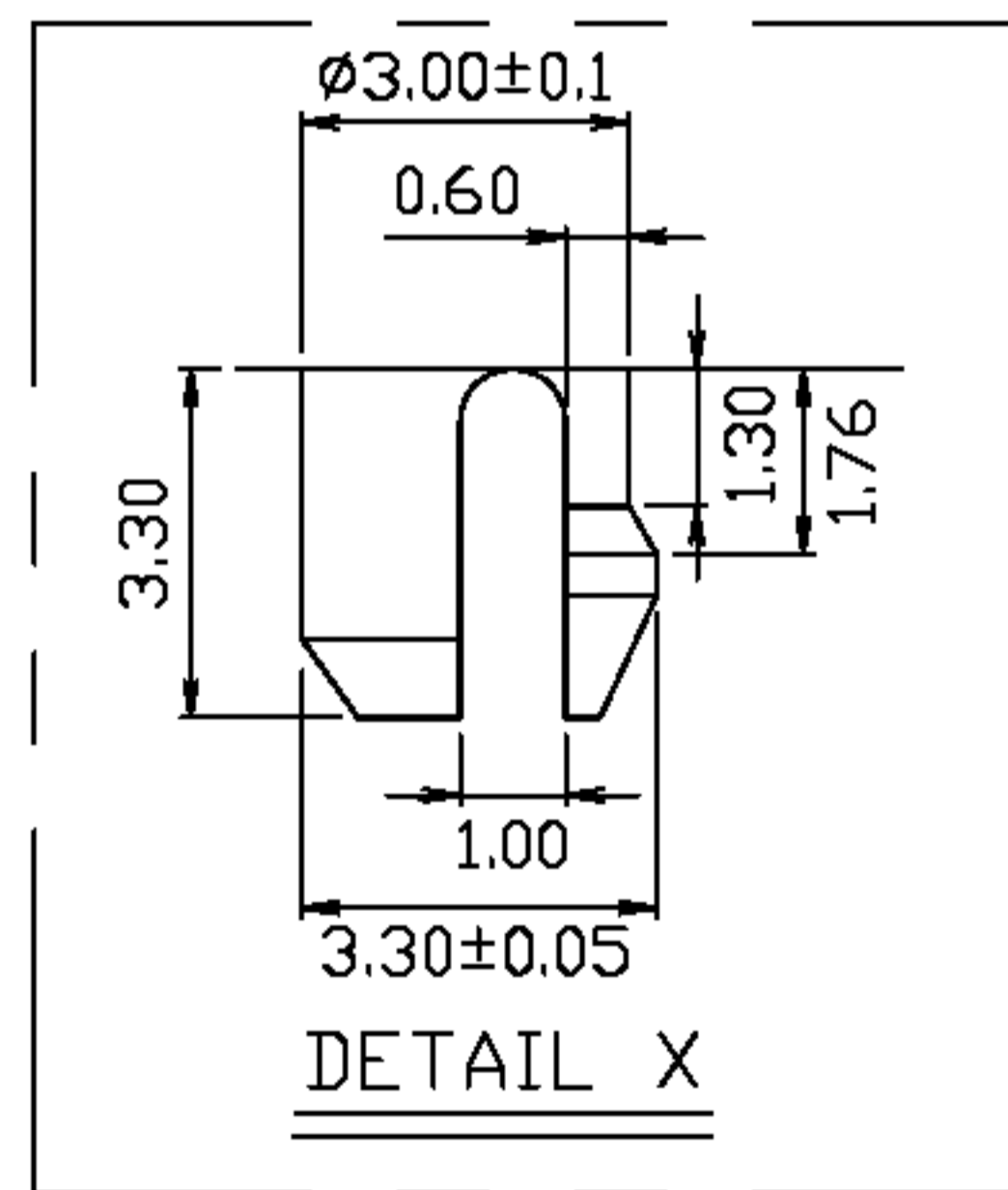
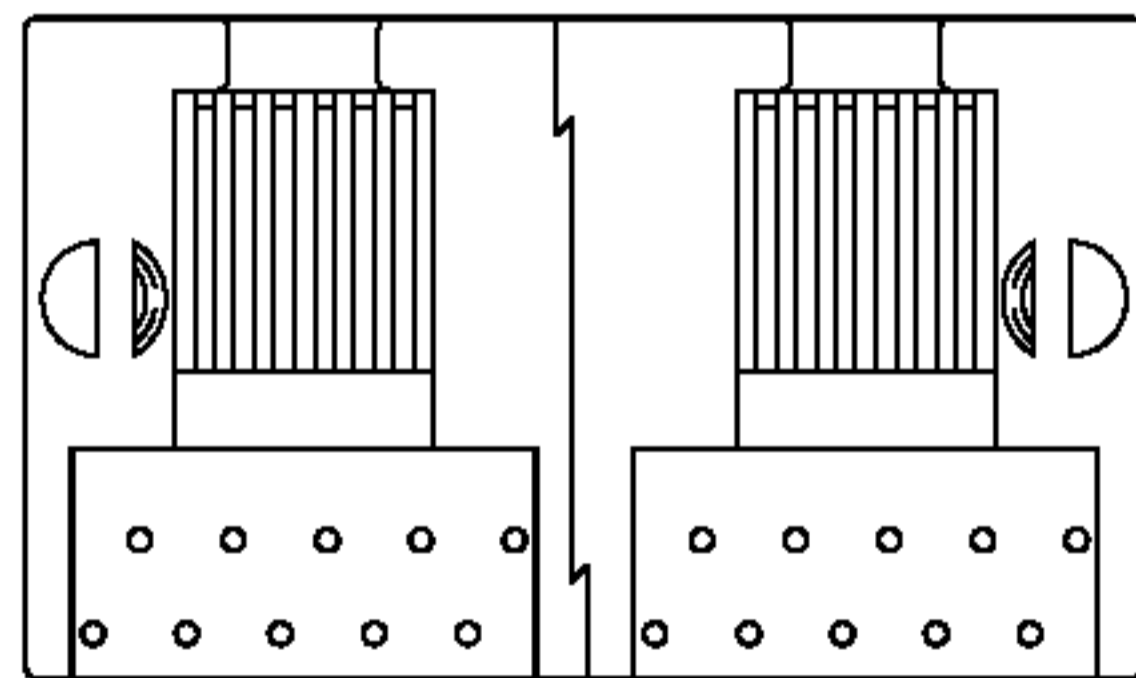
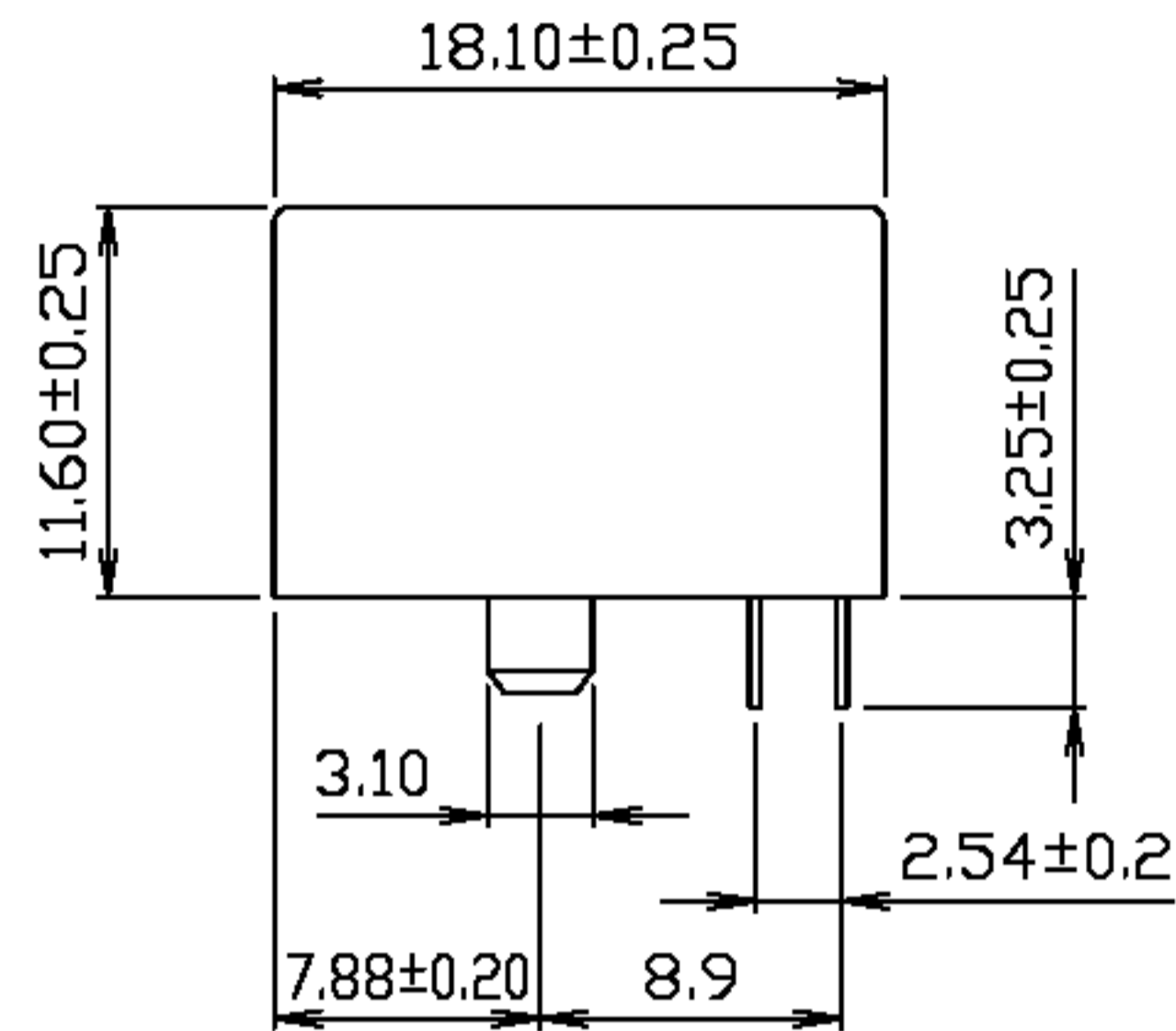
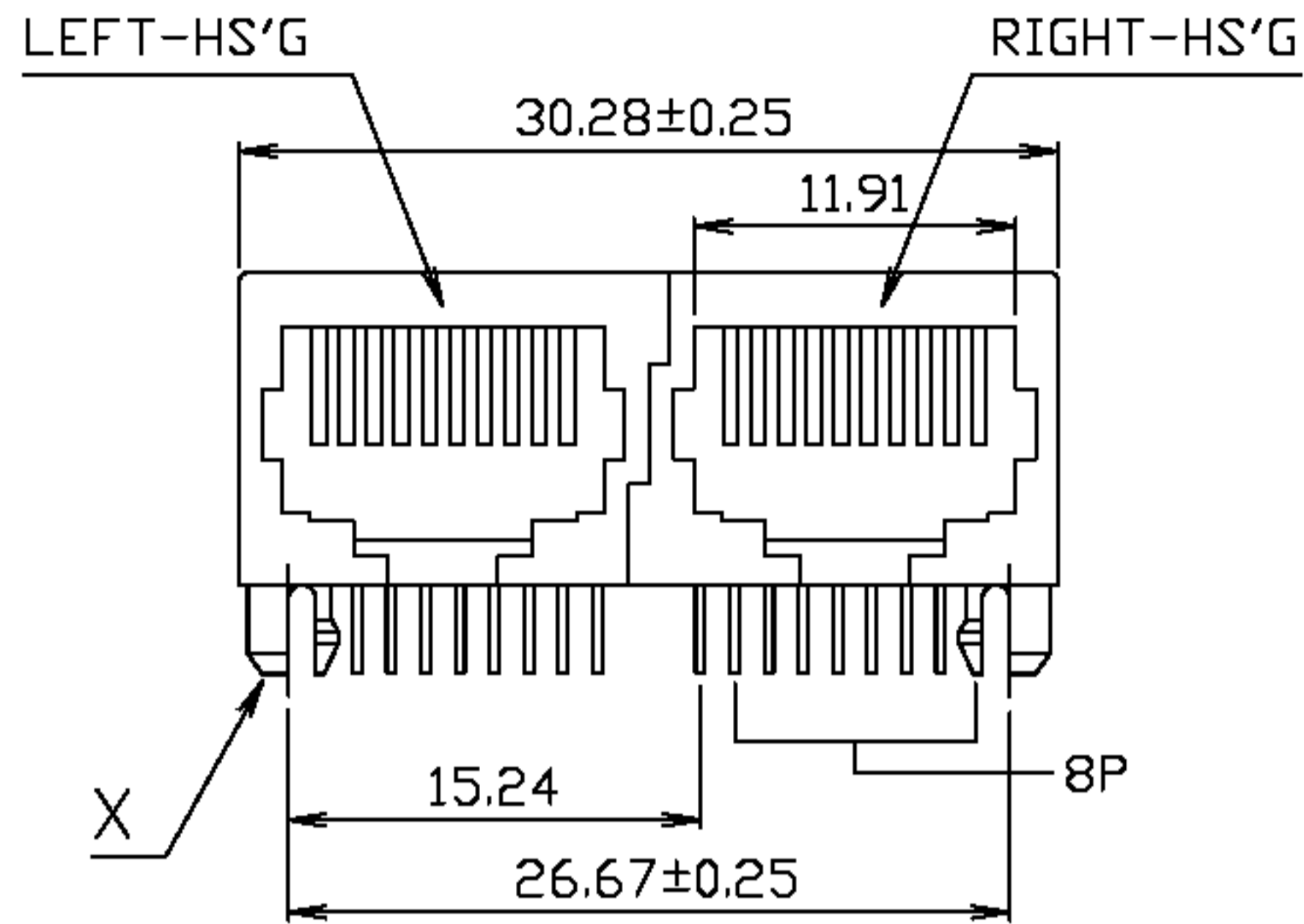


PRODUCT NO.	LEFT-HS'G P/N	RIGHT-HS'G P/N	SUB-ASS'Y P/N	LOGO	REMARK
9712-10X1X-2	77017-019	77017-021	5007-10X1X-A		



PC Board Layout
Ref.

DO NOT SCALE DRAWING		TOLERANCES UNLESS OTHERWISE NOTED	INCH	MM	DR. M.L.HUANG	DATE SEP-24 '02	淮洋有限公司 HUIYANG CO.,LTD. TEL : 886-2-8261-8986 FAX : 886-2-8261-1885 www.hy1688.com.tw 236新北市土城區中央路二段191號10樓之5				
THIRD ANGLE PROJECTION		LINEAR	MM INCH	00 ± .01 000 ± .005 0000 ± .002	0.0 ± 0.25 0.00 ± 0.13 0.000 ± 0.05	CK'D M.CHANG	DATE SEP-24 '02	TITLE 2 PORT, 10 POSITION, SIDE ENTRY, LOW PROFILE, ROUND CONTACTS, WITHOUT SHIELD			
MM INCH	ANGLE ± 0° 30'	RADII		+ 0.40 - 0.15	APP'D W.J.YANG	DATE OCT-02 '02	SCALE	SIZE	DWG.NO. 971202	REV. 1	SHEET 1