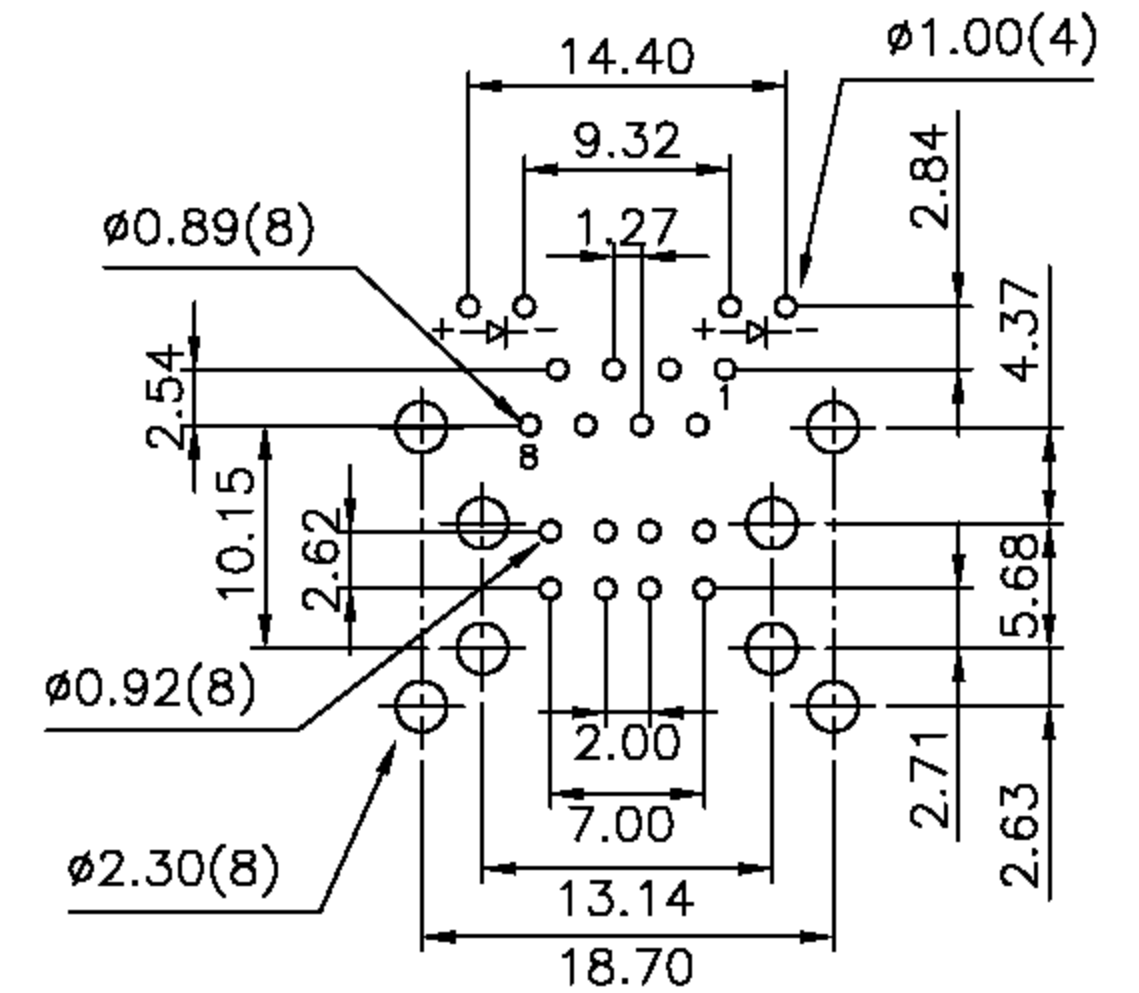
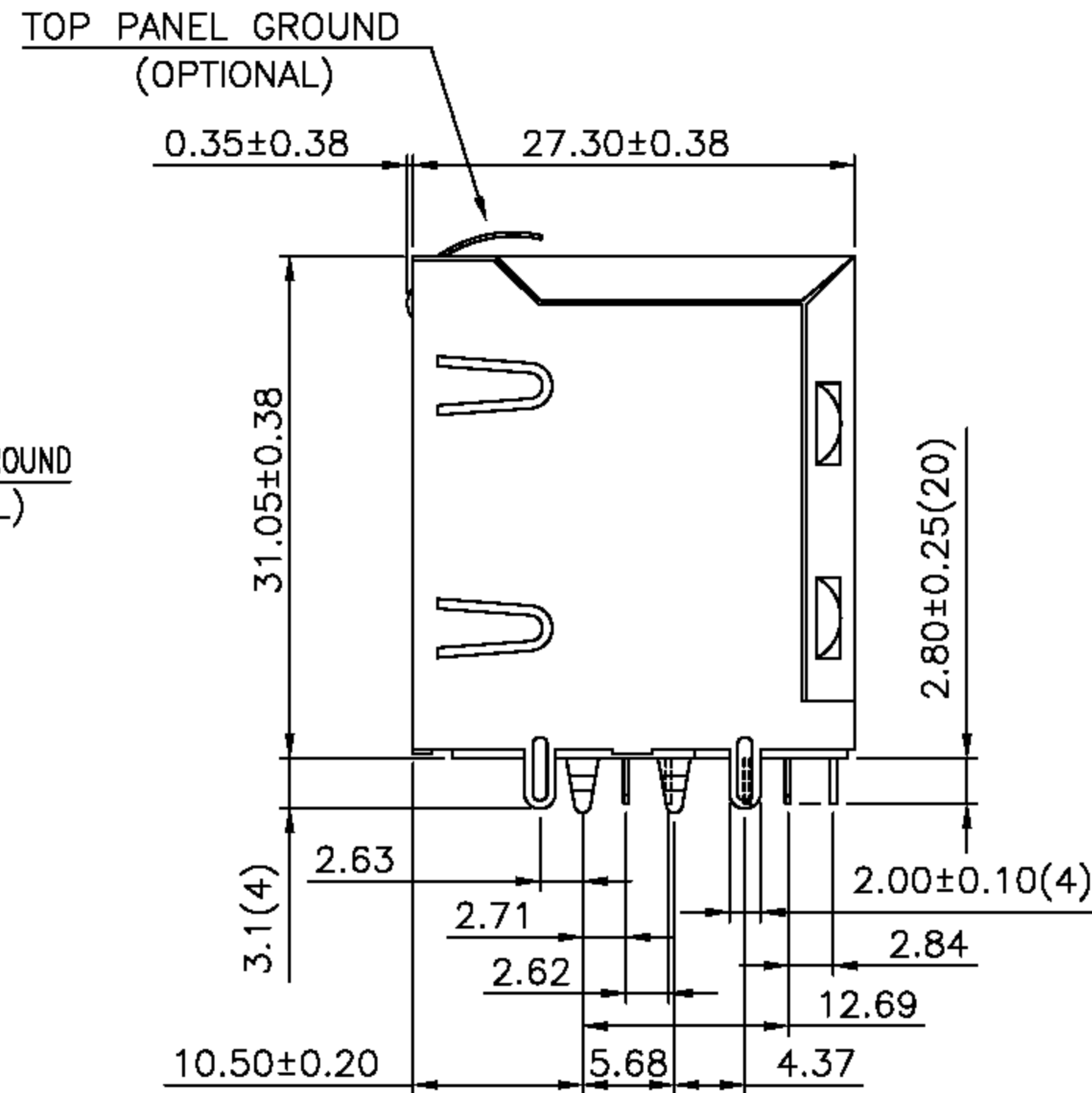
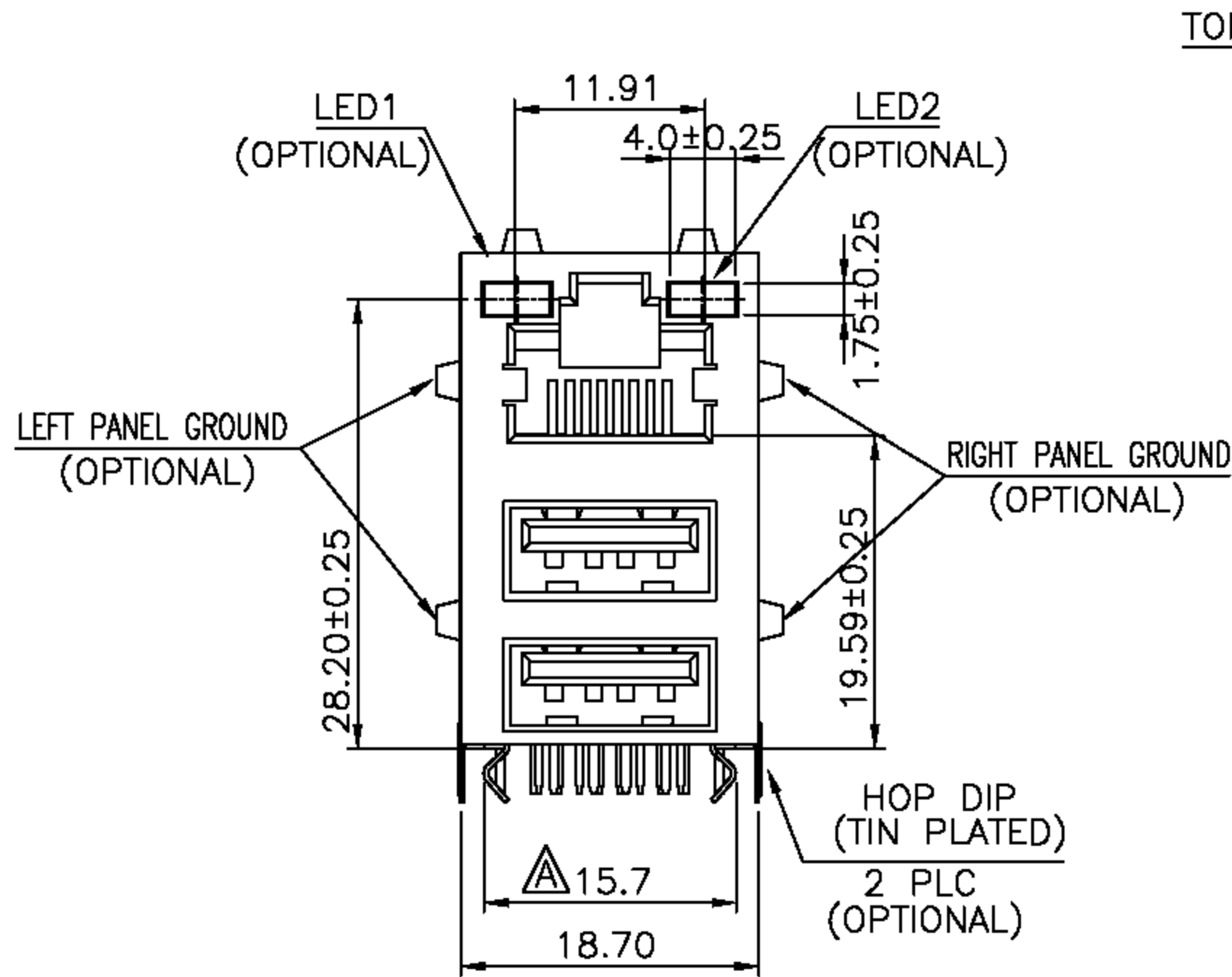
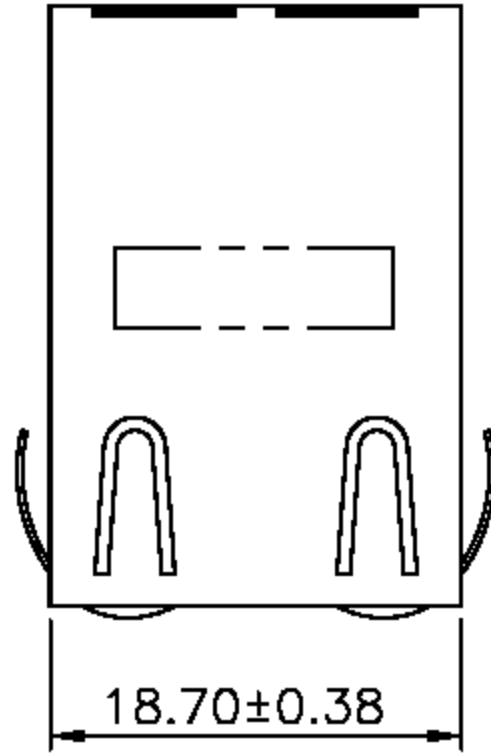


# RoHS Compliance



**PCB LAYOUT**  
Ref.

|                        |                                   |                      |                                     |                          |                    |
|------------------------|-----------------------------------|----------------------|-------------------------------------|--------------------------|--------------------|
| DO NOT SCALE DRAWING   | TOLERANCES UNLESS OTHERWISE NOTED | INCH                 | MM                                  | DR.<br><i>M.L.HUANG</i>  | DATE<br>AUG-18 '08 |
| THIRD ANGLE PROJECTION | LINEAR<br>MM<br>INCH              | 00±<br>000±<br>0000± | 0.0±0.25<br>0.00±0.13<br>0.000±0.05 | CK'D<br><i>M.CHANG</i>   | AUG-18 '08         |
| MM<br>INCH             | ANGLE ±0° 30'                     | RADII                | +0.40<br>-0.15                      | APP'D<br><i>W.J.YANG</i> | AUG-18 '08         |

|   |      |         |      |       |  |
|---|------|---------|------|-------|--|
| 淮洋有限公司 HUI YANG CO., LTD.<br>TEL : 886-2-8261-8986 FAX : 886-2-8261-1885<br>www.hy1688.com.tw 236新北市土城區中央路二段191號10樓之5 |      |         |      |       |  |
| TITLE<br>2X1PORT, RJ45+USB,<br>SHIELD, WITH LED, WITH TRANSFORMER,<br>RECEPTACLE CONNECTOR                            |      |         |      |       |  |
| SCALE   | SIZE | DWG.NO. | REV. | SHEET |  |
|   |      | 971104  | 4    | 1     |  |