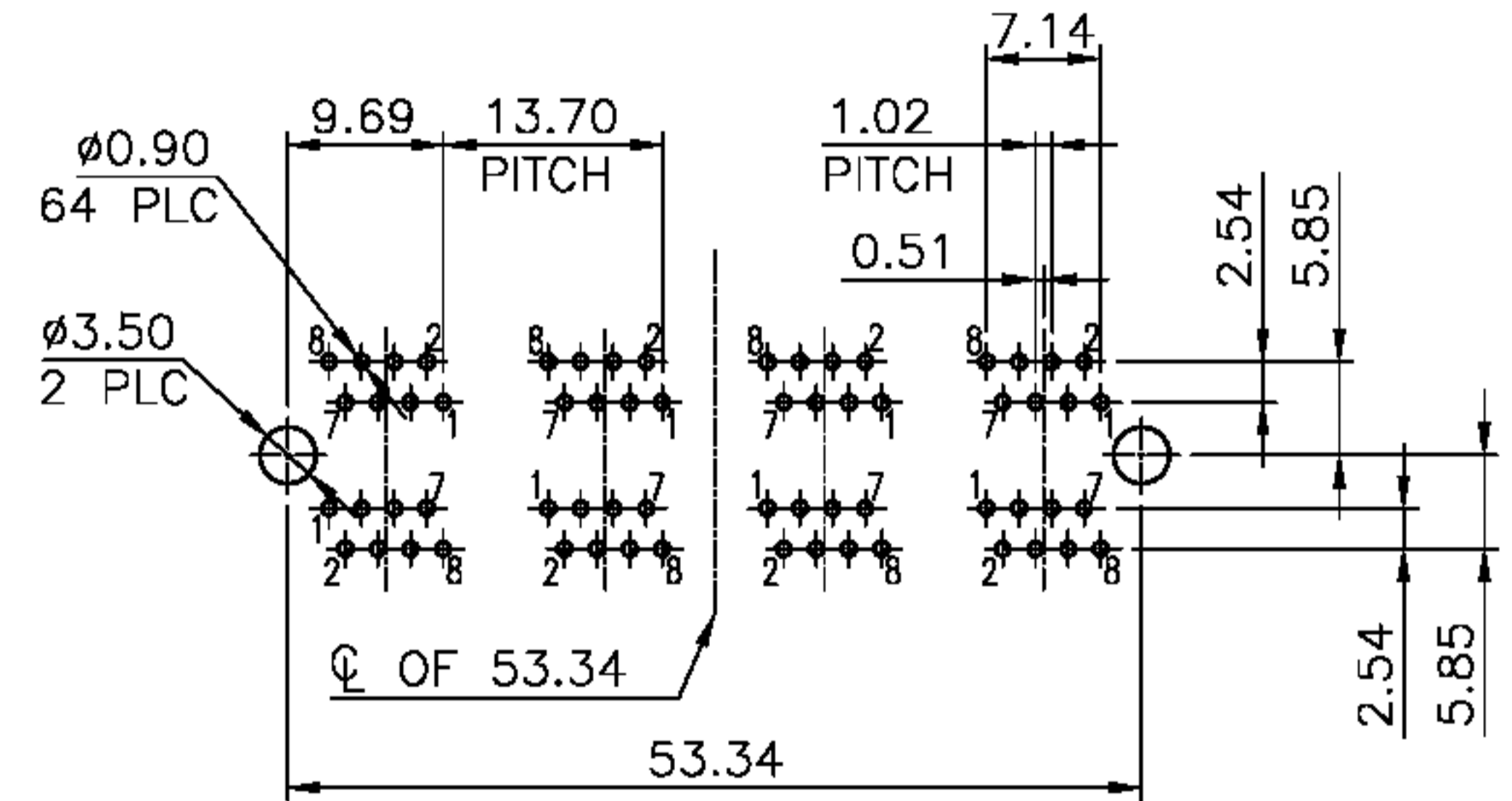
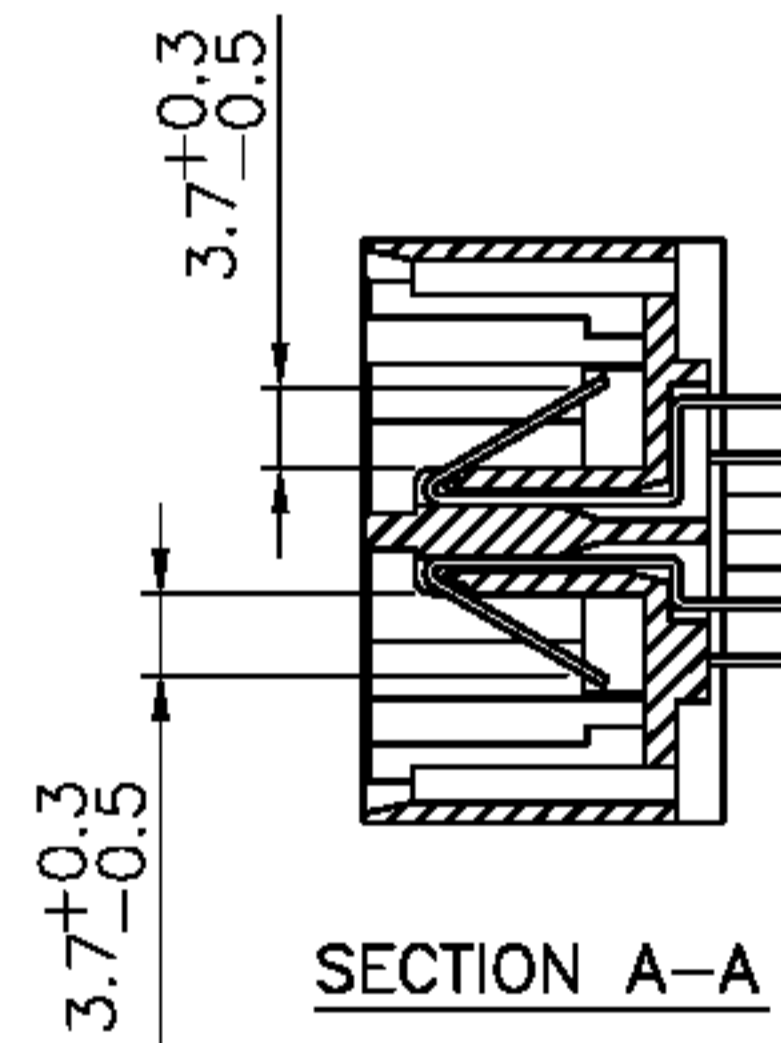
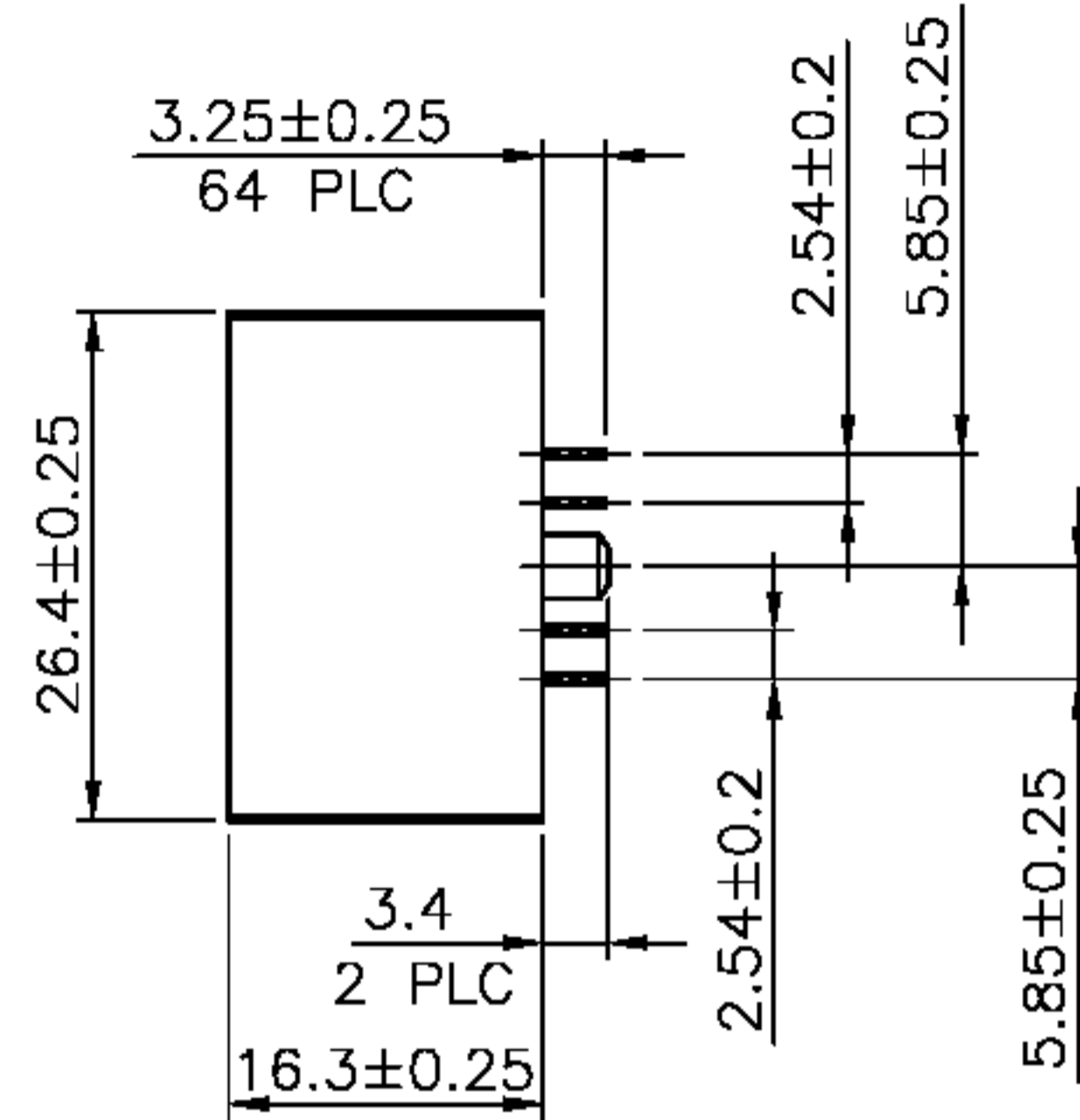
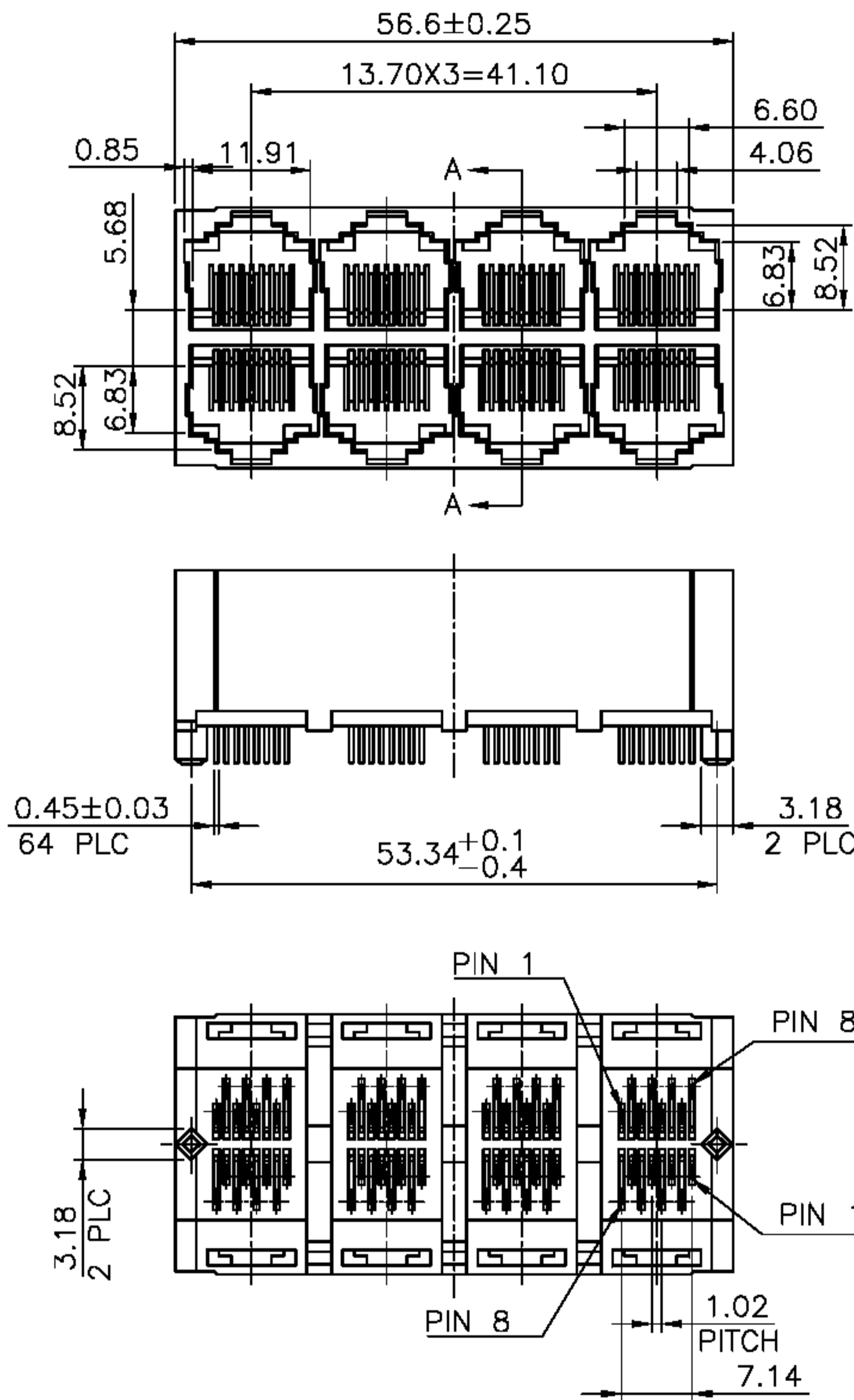


RoHS Compliance



RECOMMENDED PCB LAYOUT
RECOMMENDED PCB THICKNESS: 1.6mm
TOLERANCE: ±0.05 (TOP VIEW)

THIS DRAWING IS A CONTROLLED DOCUMENT. DO NOT SCALE DRAWING.	
DIMENSIONS: MM	TOLERANCES UNLESS OTHERWISE SPECIFIED:
 THIRD ANGLE PROJECTION	0 PLC ± -
	1 PLC ± 0.25
MATERIAL SEE NOTES	2 PLC ± 0.13
	3 PLC ± 0.05
DWN A.HUANG	FINISH SEE NOTES
	DATE SEP-08-2010
LTR	SIZE A4
	CAUGE CODE -
DESCRIPTION	DATE SEP-08-2010
APVD W.J.YANG	SEP-09-2010

淮洋有限公司 HUI YANG CO.,LTD.
 TEL : 886-2-8261-8986 FAX : 886-2-8261-1885
 www.hy1688.com.tw 236新北市土城區中央路二段191號10樓之5

TITLE RJ45, WITHOUT SHELL, TOP ENTRY PCB JACK		
DRAWING NO 970801	REV 5	SHEET 1
WEIGHT -	GRAMS Ref.	

LTR	DESCRIPTION	DATE	APVD
REVISIONS			