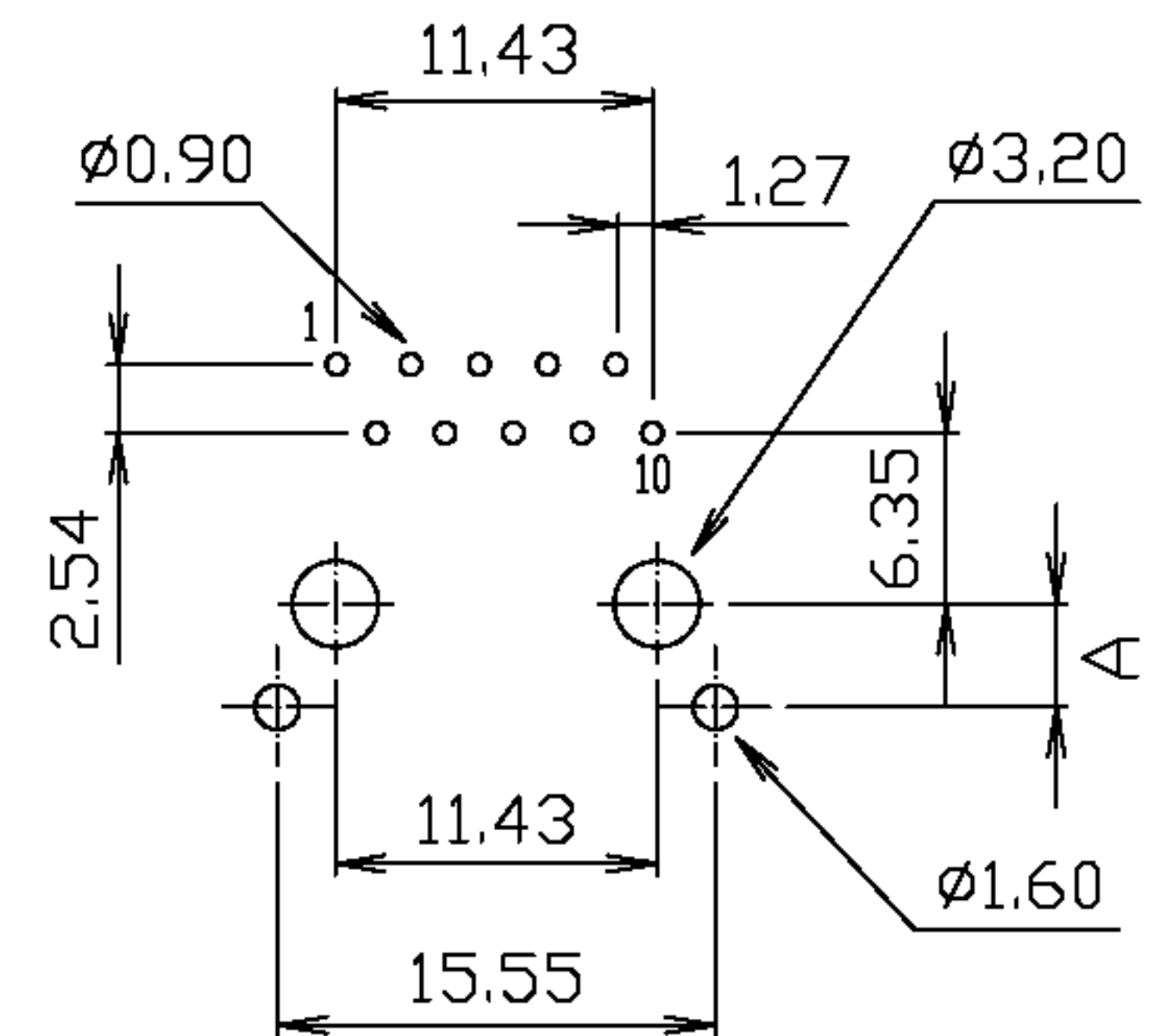
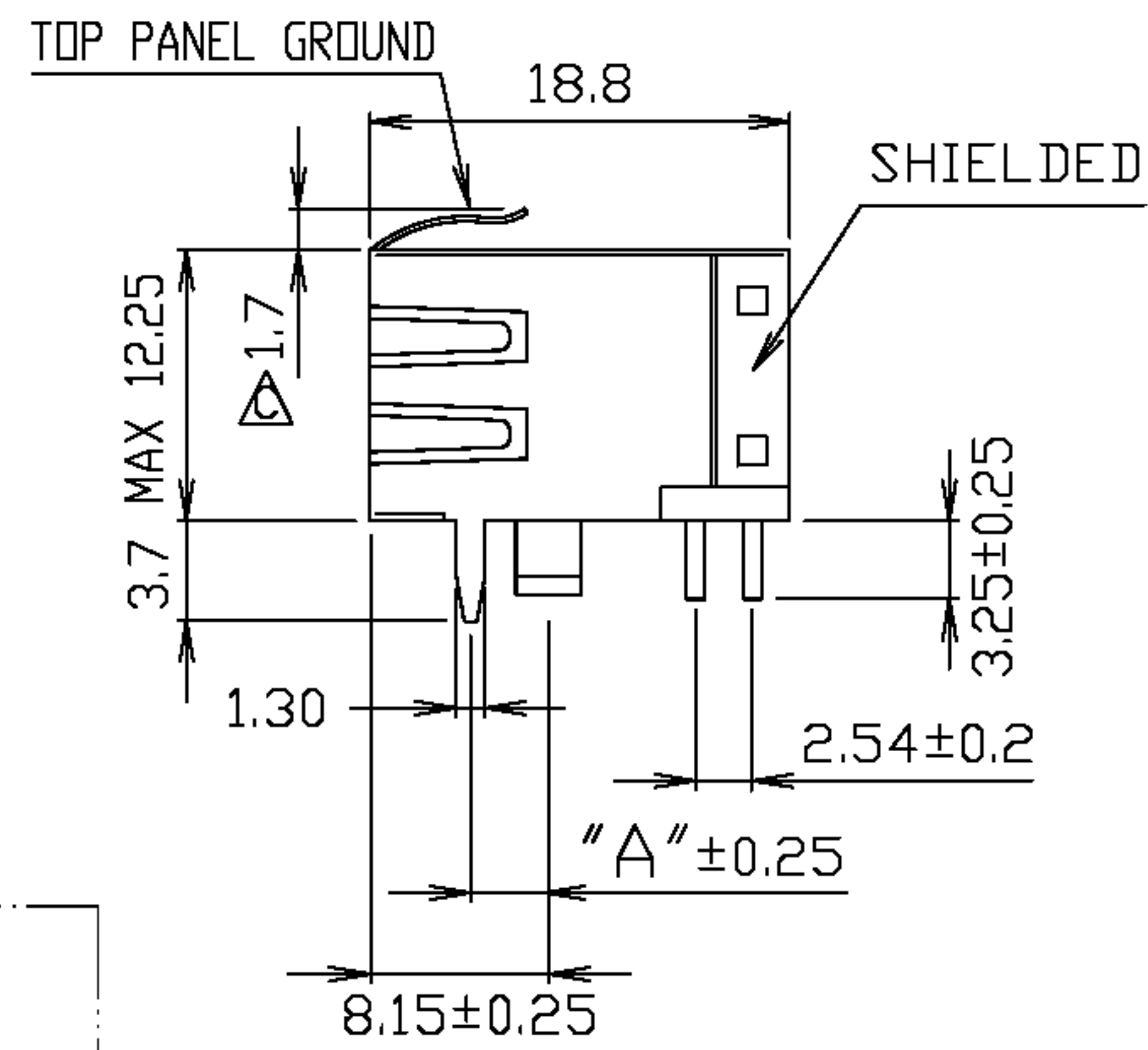
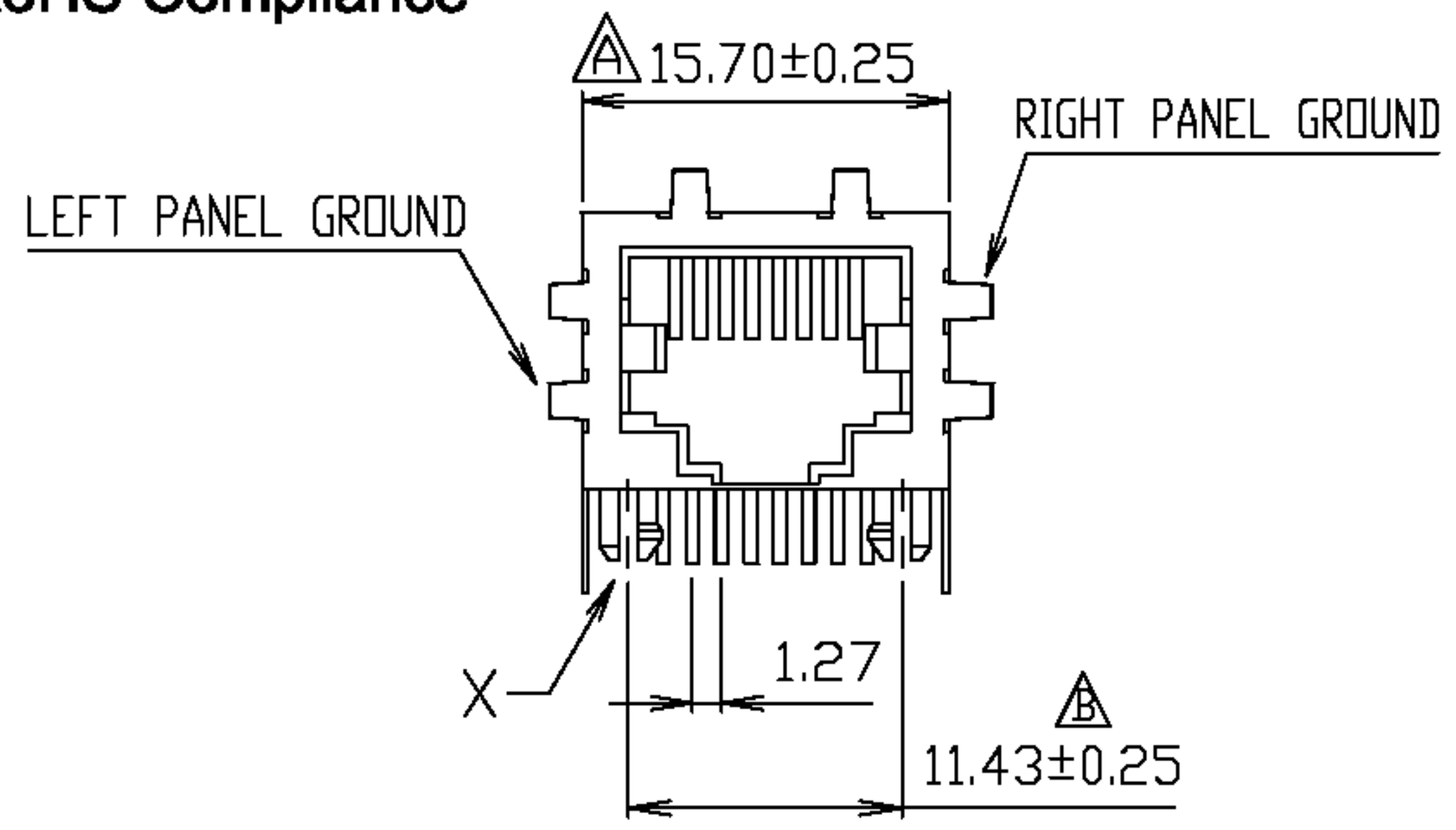
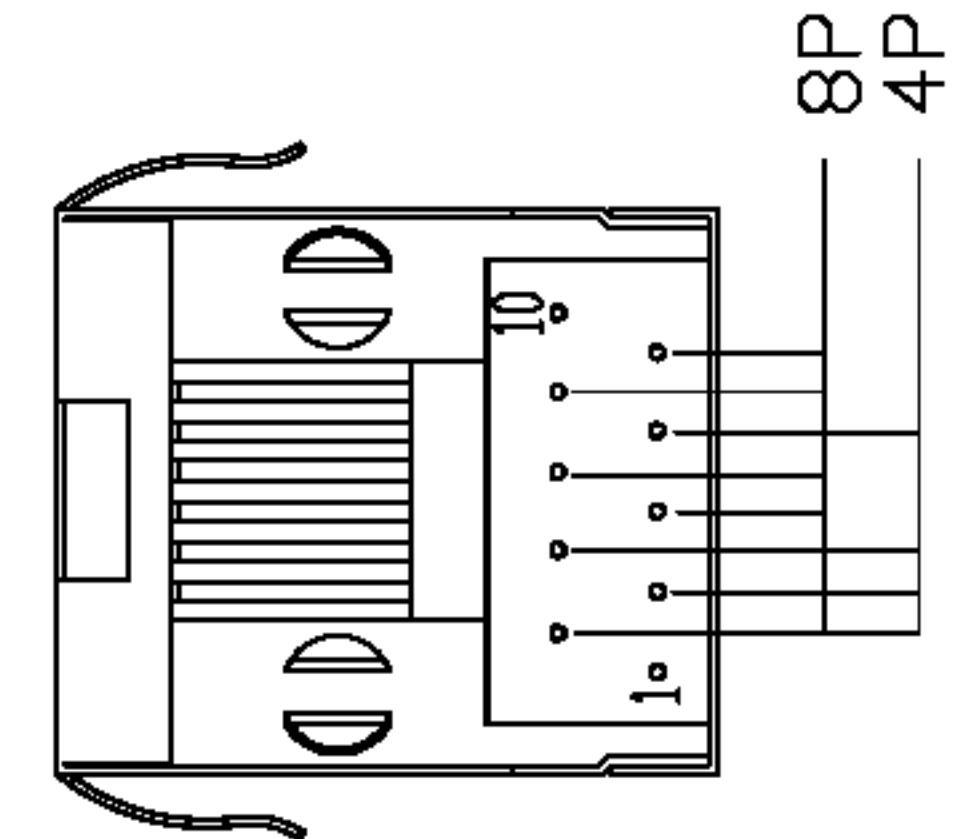
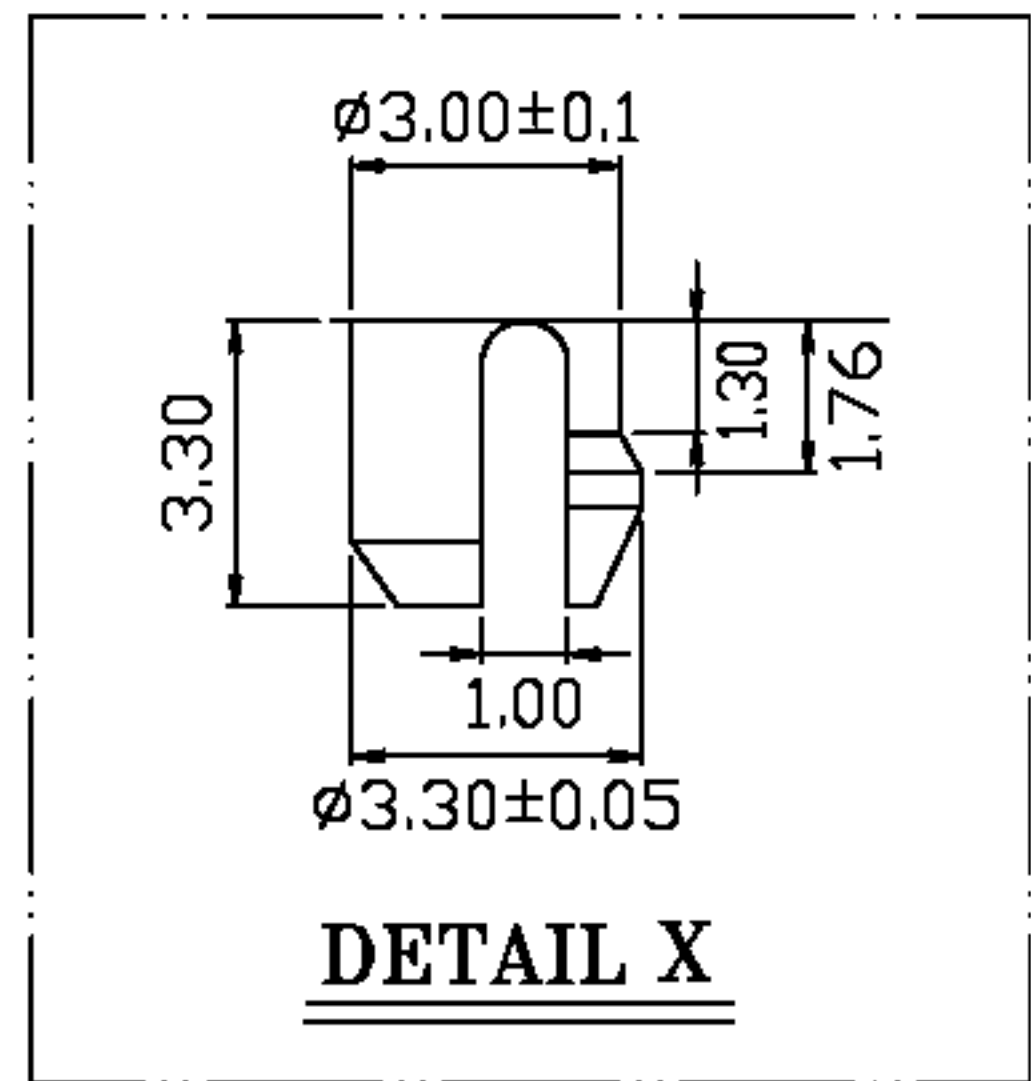


RoHS Compliance



PCB LAYOUT Ref.



REVISIONS			
LTR	DESCRIPTION	DATE	APP
△	15.9	06/15/'00	CHANG
△	16.20±0.25	12/31/'08	CHANG
△	CAR 11.43	01/22/'09	CHANG
△	FAI 1.50	12/17/'09	

DO NOT SCALE DRAWING	TOLERANCES UNLESS OTHERWISE NOTED	INCH	MM	DR. CIAN.CI.LUO	DATE DEC-21 '09
THIRD ANGLE PROJECTION	LINEAR	MM INCH	00 ± .01 000 ± .005 0000 ± .002	CK'D M.CHANG	DEC-21 '09
MM INCH	ANGLE ± 0° 30'	RADII	+ 0.40 - 0.15	APP'D W.J. YANG	DEC-22 '09

淮洋有限公司 HUIYANG CO.,LTD.
 TEL : 886-2-8261-8986 FAX : 886-2-8261-1885
 www.hy1688.com.tw 236新北市土城區中央路二段191號10樓之5

TITLE		10POSITION SIDE ENTRY, ROUND PIN VERY LOW PROFILE, SHIELDED PCB JACK		
SCALE	SIZE	DWG.NO.	REV.	SHEET
		970501	9	1