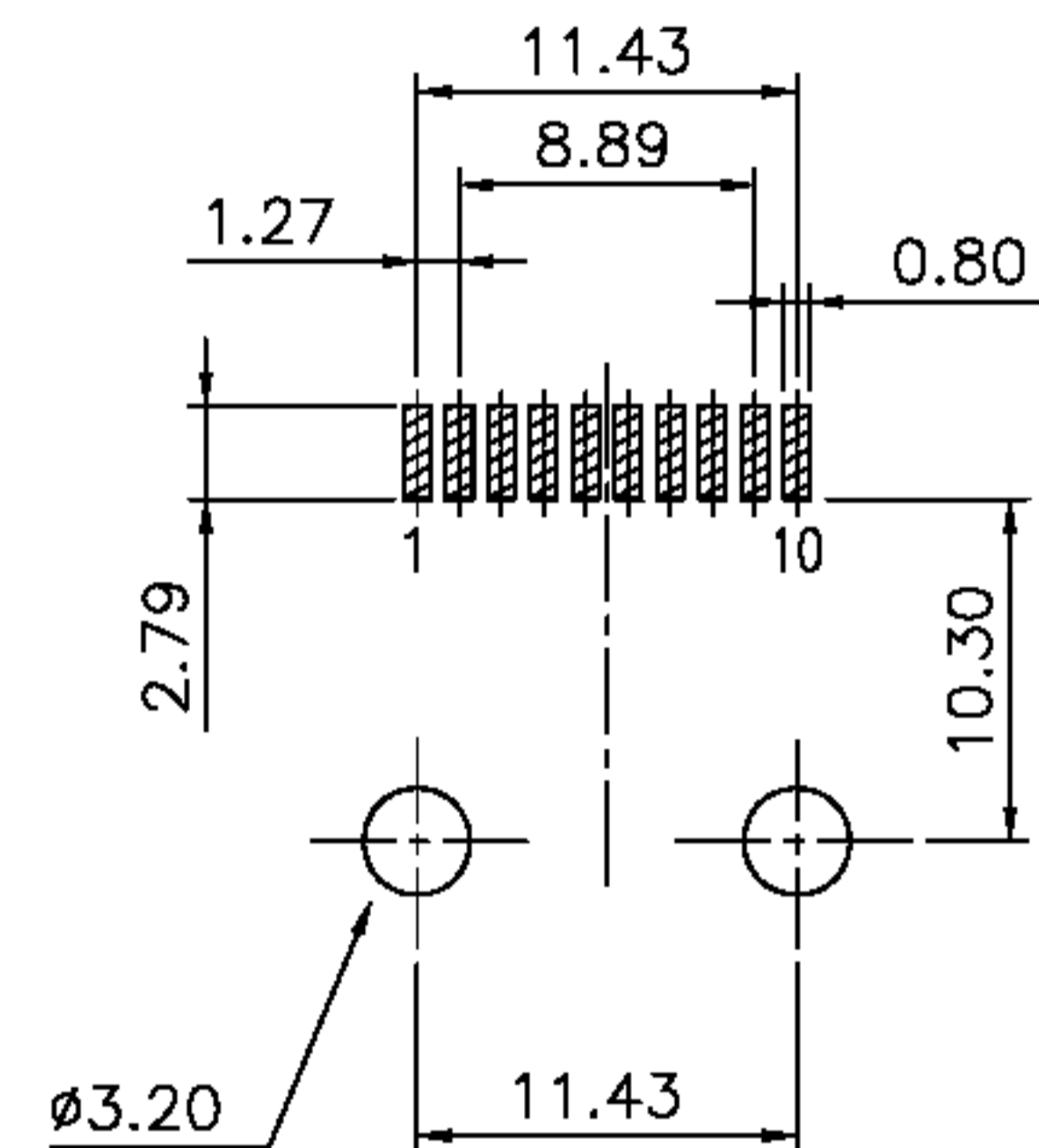
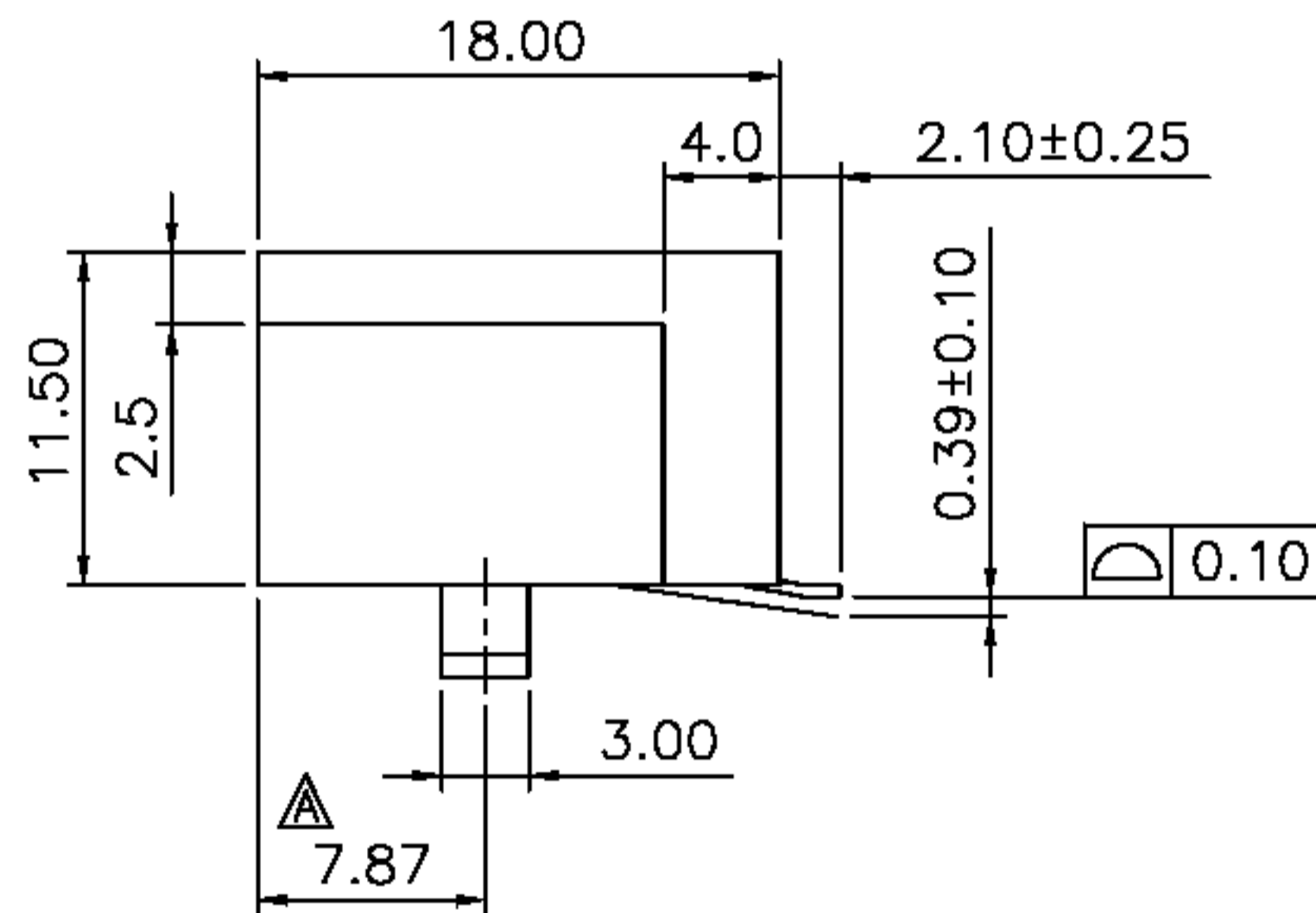
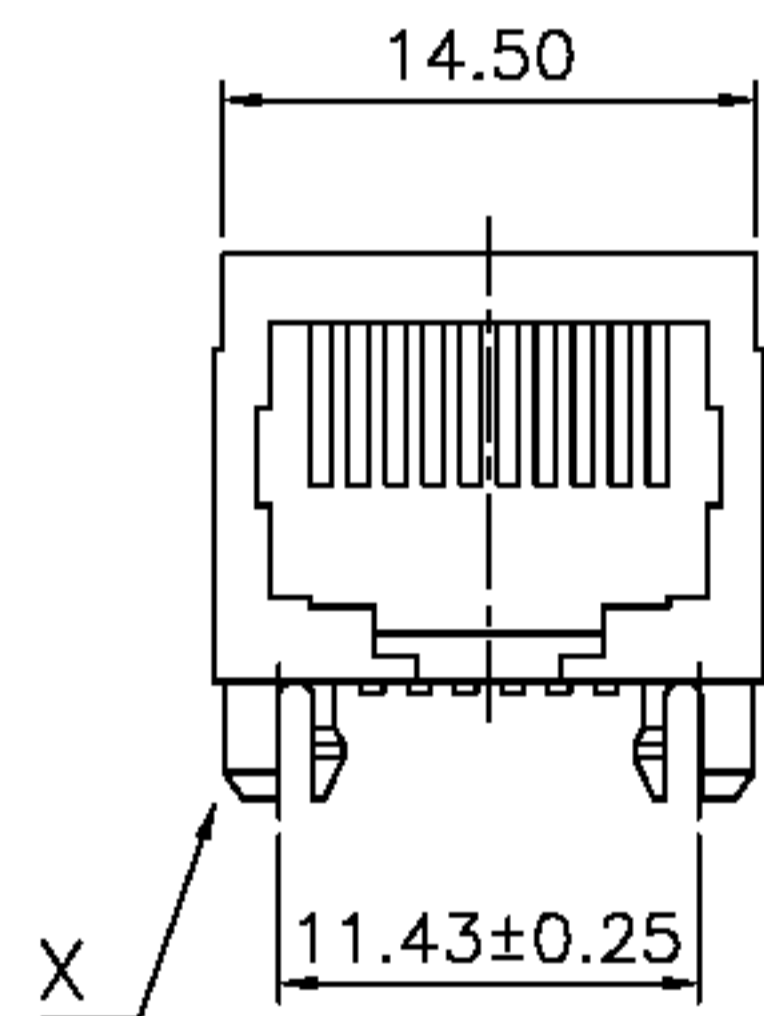
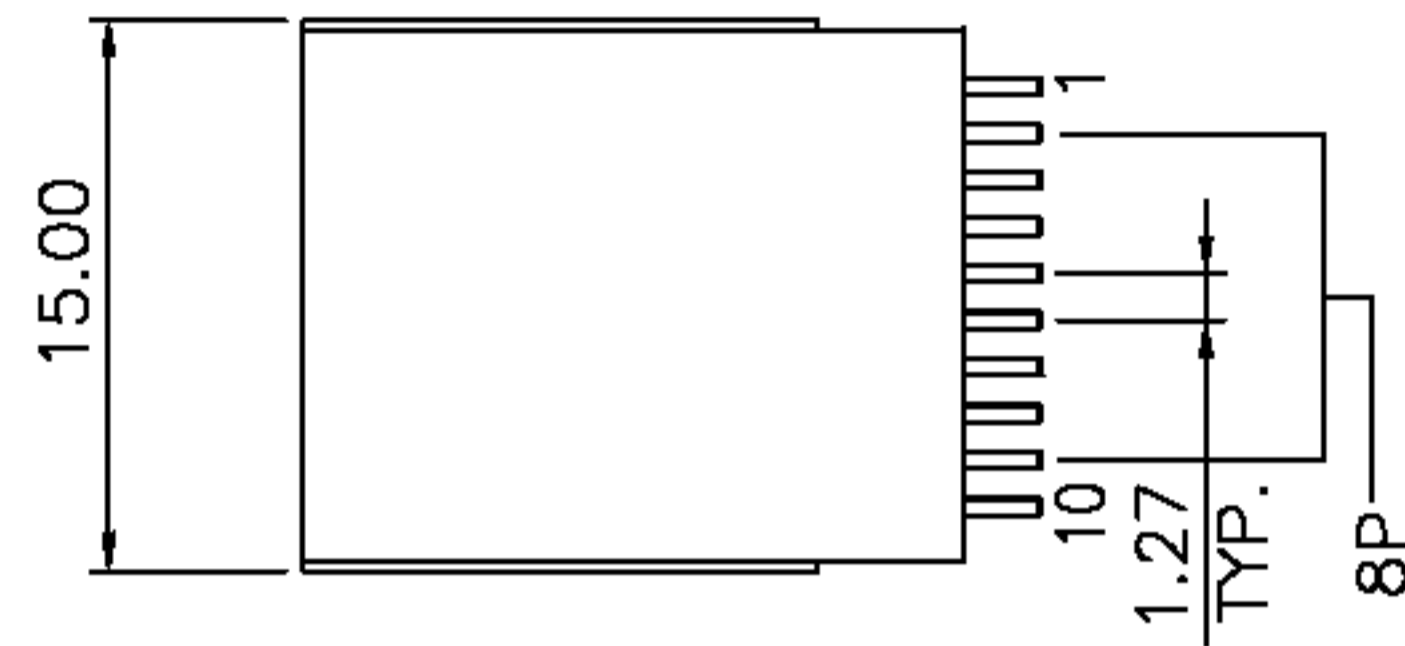


REVISIONS			
LTR	DESCRIPTION	DATE	APP
△	7.85	08/20/'03	CHANG



PC Board Layout
Ref.

淮洋有限公司 HUI YANG CO., LTD.
TEL : 886-2-8261-8986 FAX : 886-2-8261-1885
www.hy1688.com.tw 236新北市土城區中央路二段191號10樓之5

DO NOT SCALE
DRAWING

TOLERANCES UNLESS
OTHERWISE NOTED

INCH

MM

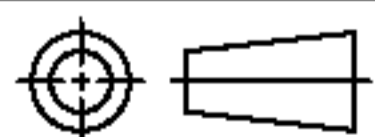
DR.

M.L.HUANG

DATE

NOV-21 '05

TITLE
10 & 8 POSITION SIDE ENTRY, SMT TYPE
VERY LOW PROFILE, SHIELDLESS PCB JACK



THIRD ANGLE PROJECTION

LINEAR

MM

INCH

00 ± .01
000 ± .005
0000 ± .002

0.0 ± 0.25
0.00 ± 0.13
0.000 ± 0.05

CK'D

M.CHANG

NOV-21 '05

MM
INCH

ANGLE ± 0° 30'

RADII

+ 0.40
- 0.15

APP'D

W.J.YANG

NOV-22 '05

SCALE SIZE DWG.NO.

970103

REV.

6

SHEET

1