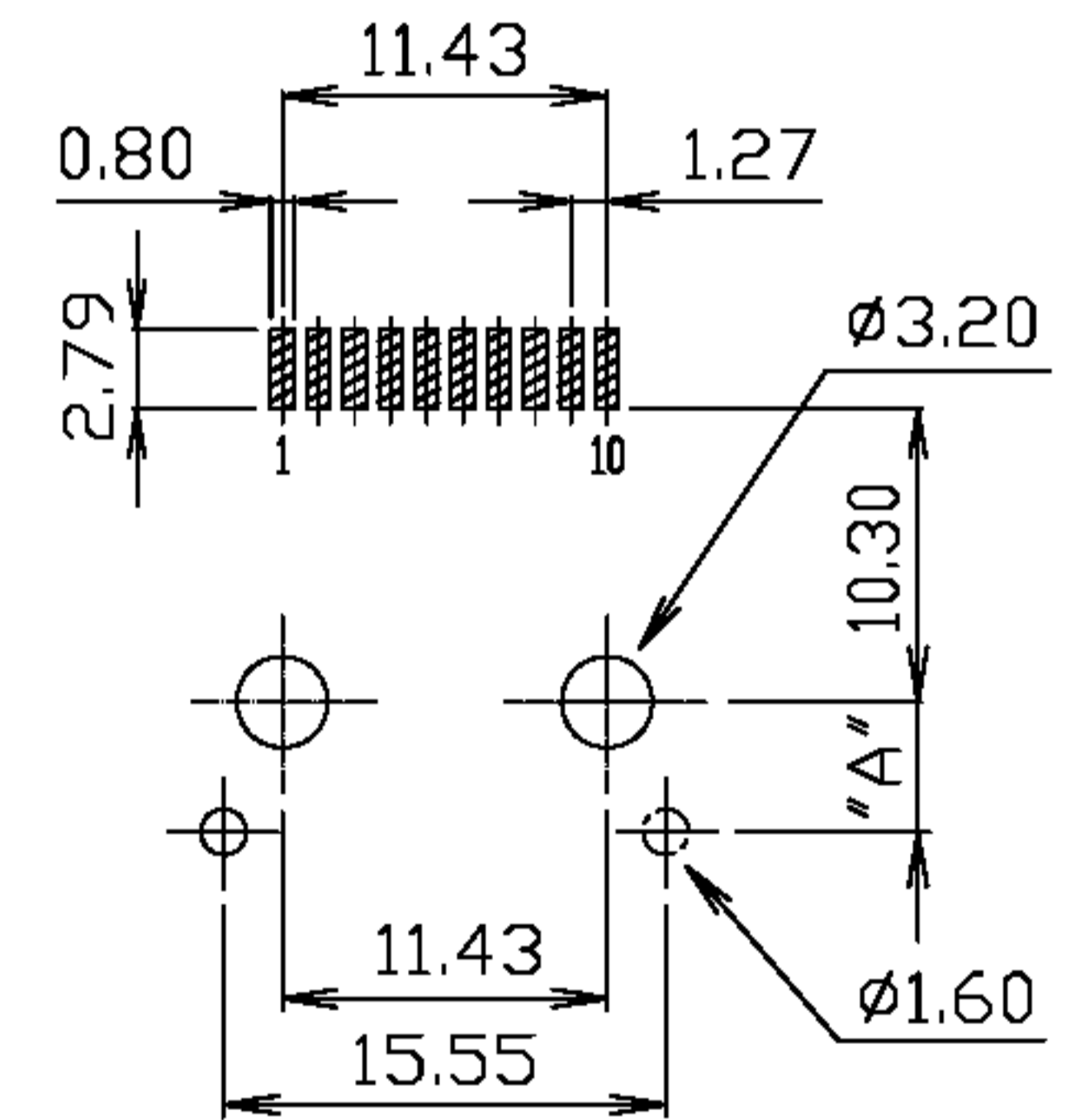
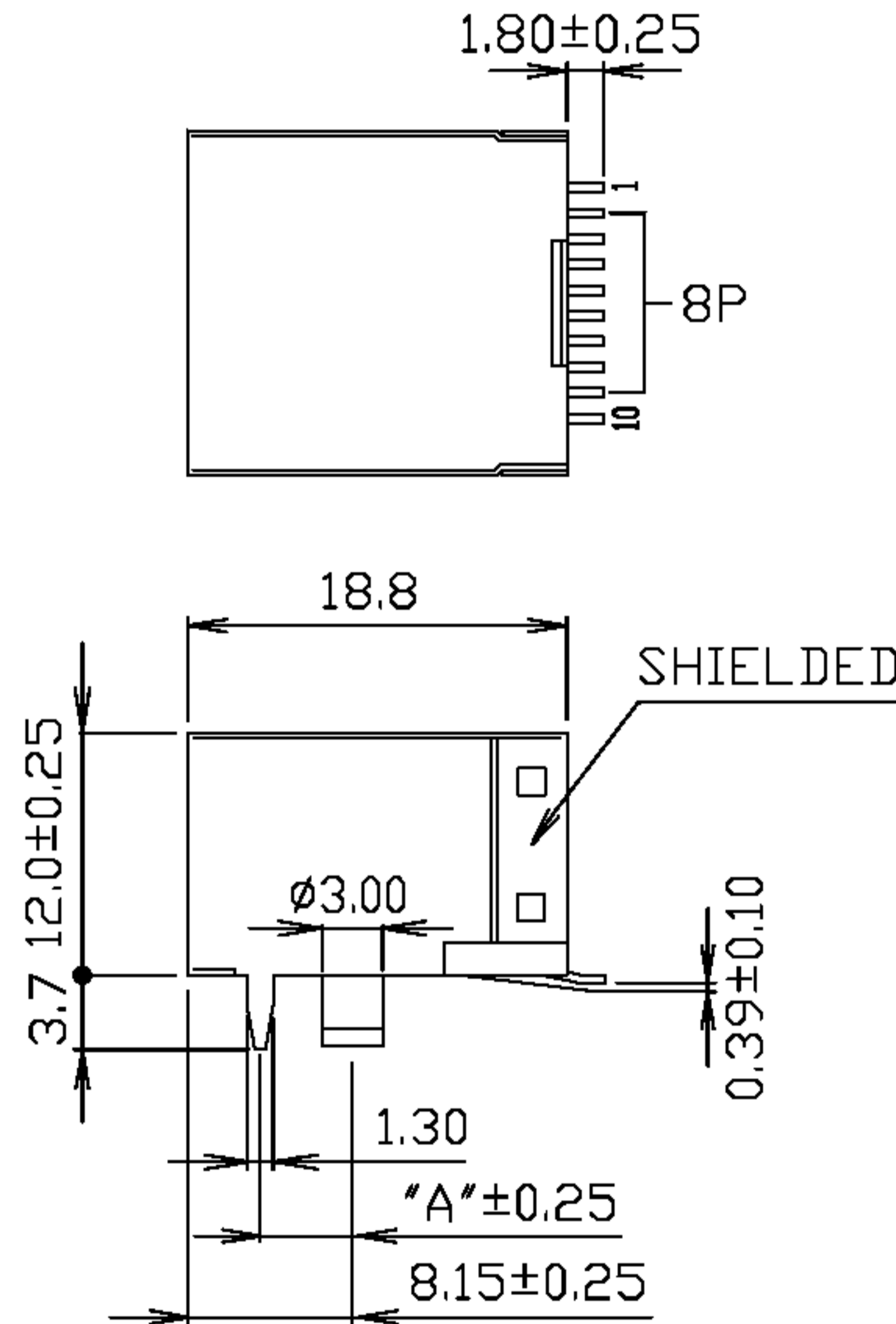
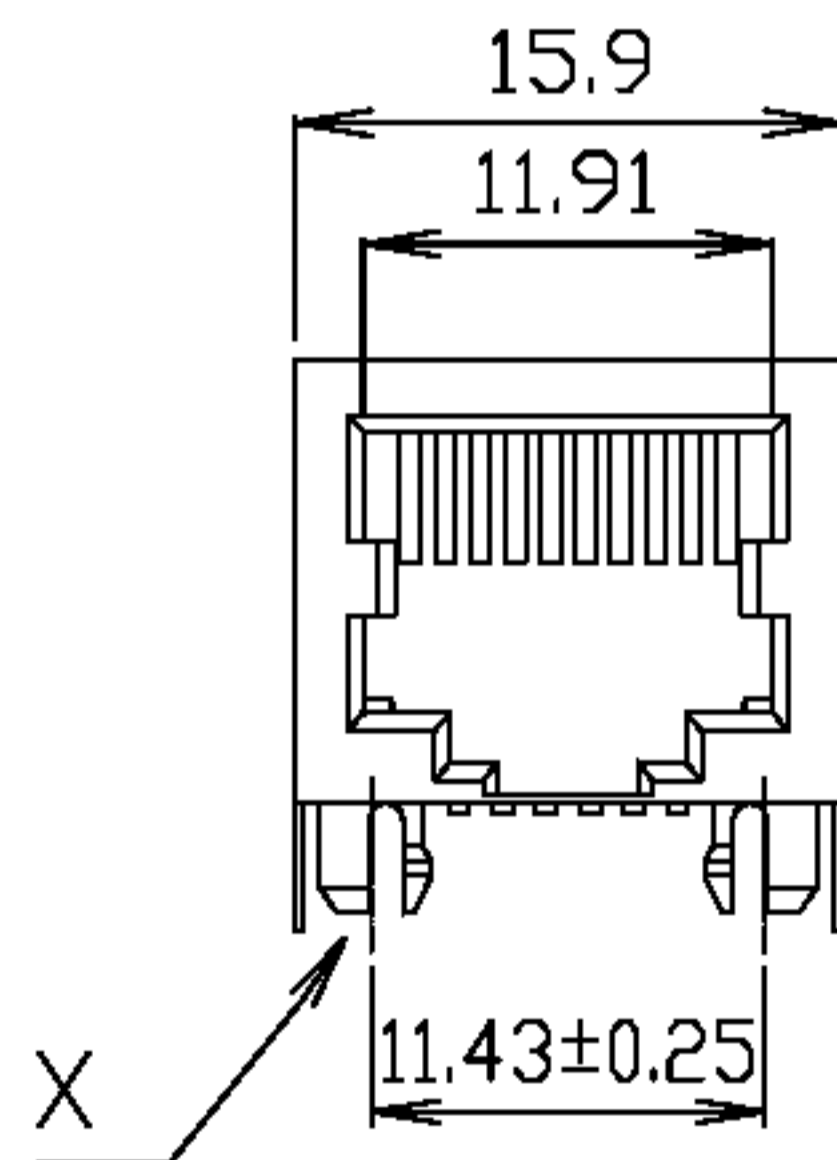
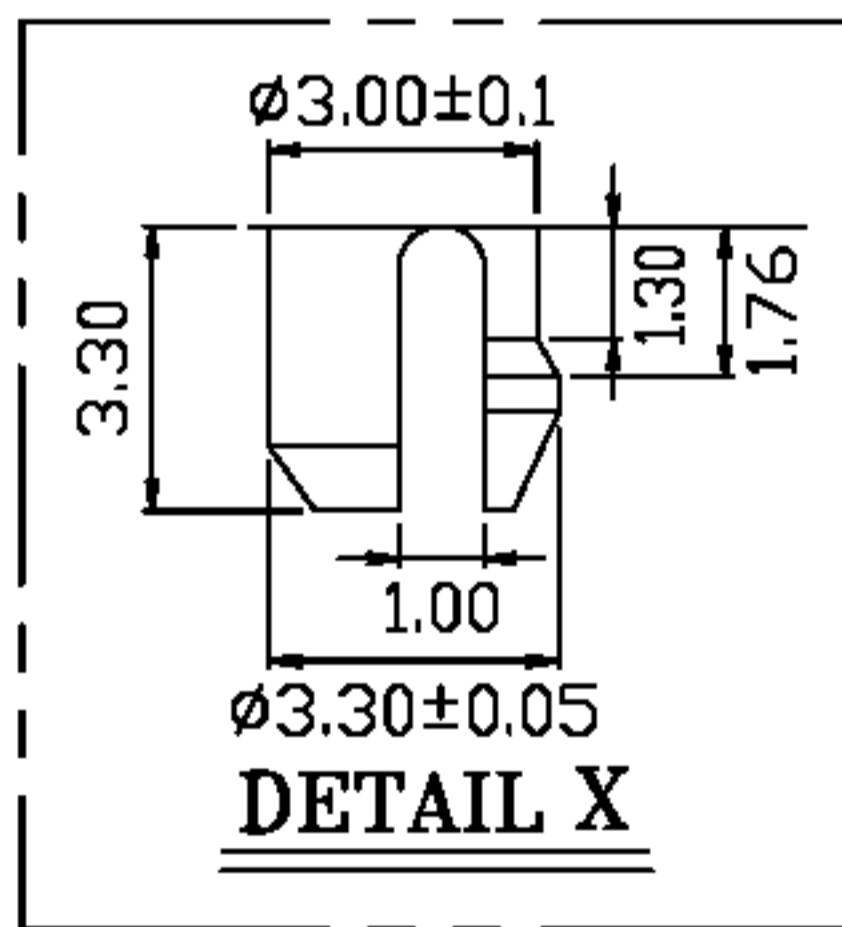
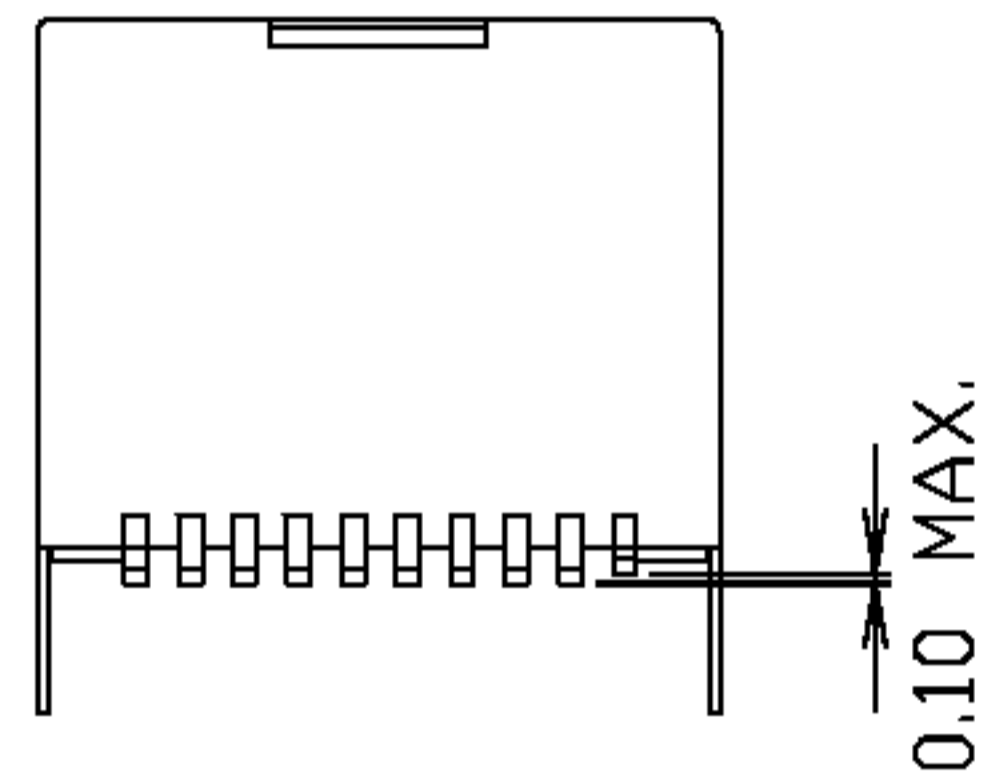


COPLANARITY:
THE MAXIMUM DISTANCE (0.10mm)
BETWEEN LOWEST AND
HIGHEST PIN WHEN
BOTTOM OF PART PUT
ON A FLAT SURFACE



PC Board Layout
Ref.

淮洋有限公司 HUI YANG CO., LTD.
TEL : 886-2-8261-8986 FAX : 886-2-8261-1885
www.hy1688.com.tw 236新北市土城區中央路二段191號10樓之5

DO NOT SCALE
DRAWING

TOLERANCES UNLESS
OTHERWISE NOTED

INCH

MM

DR.

H.W.CHAN

DATE

OCT-11 '07

THIRD ANGLE PROJECTION

LINEAR $\frac{\text{MM}}{\text{INCH}}$

$00 \pm .01$
 $000 \pm .005$
 $0000 \pm .002$

0.0 ± 0.25
 0.00 ± 0.13
 0.000 ± 0.05

CK'D

M.CHANG

OCT-11 '07

TITLE 10POSITION SIDE ENTRY SMT TYPE
VERY LOW PROFILE, SHIELDED PCB JACK

MM
INCH

ANGLE $\pm 0^{\circ} 30'$

RADII

$+ 0.40$
 $- 0.15$

APP'D

W.J.YANG

OCT-12 '07

SCALE SIZE DWG.NO.

970101

REV.

7

SHEET

1