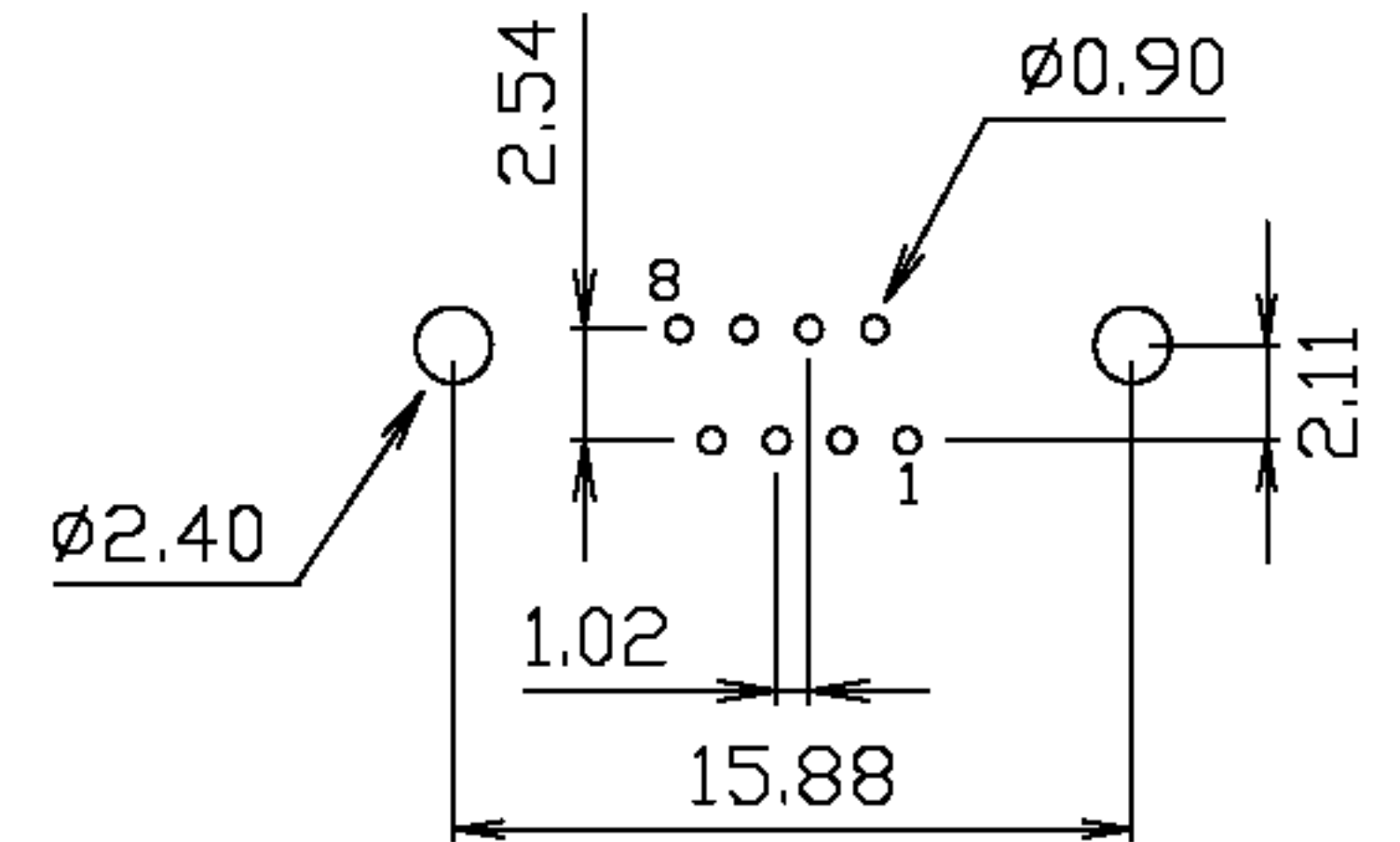
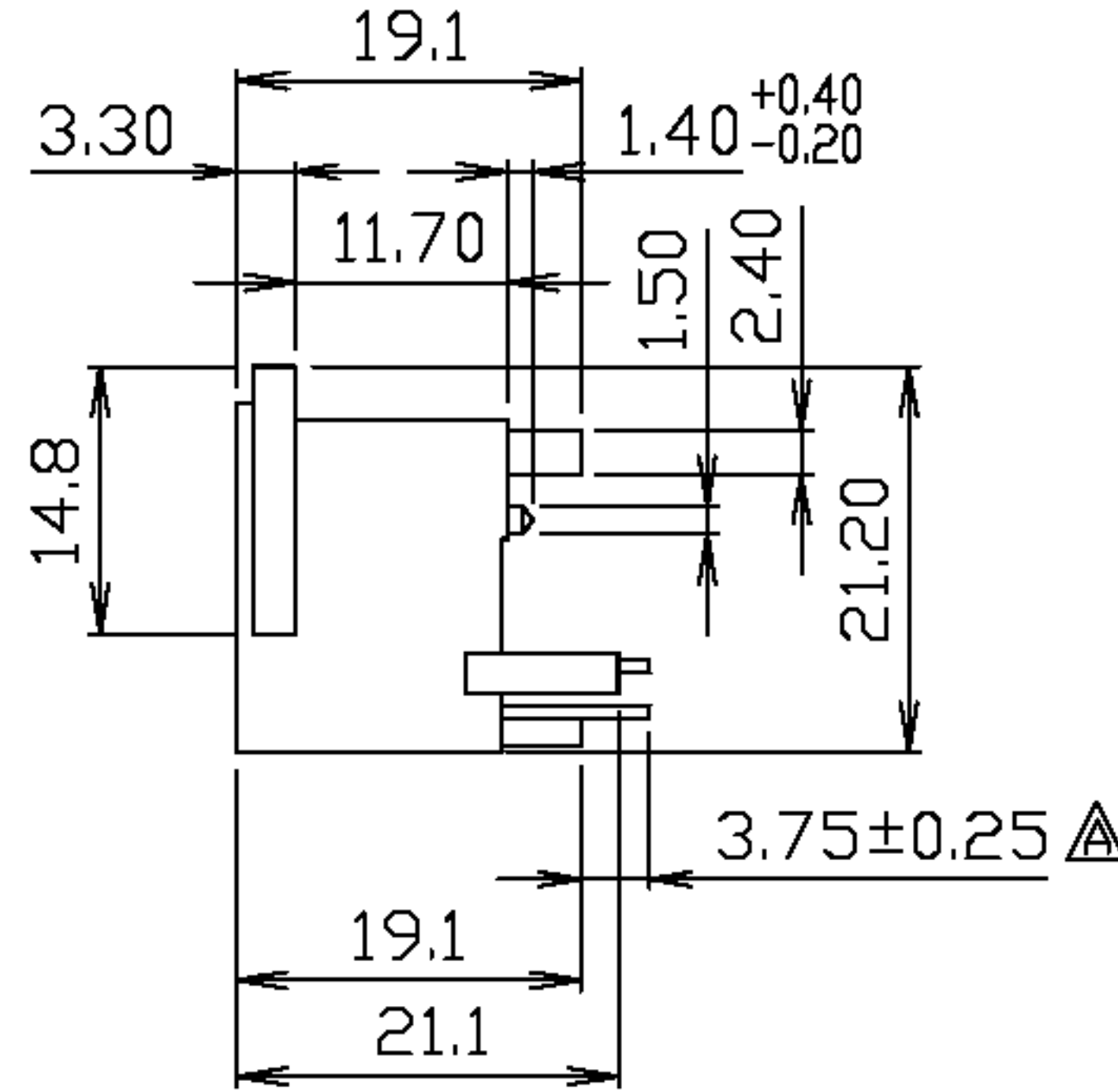
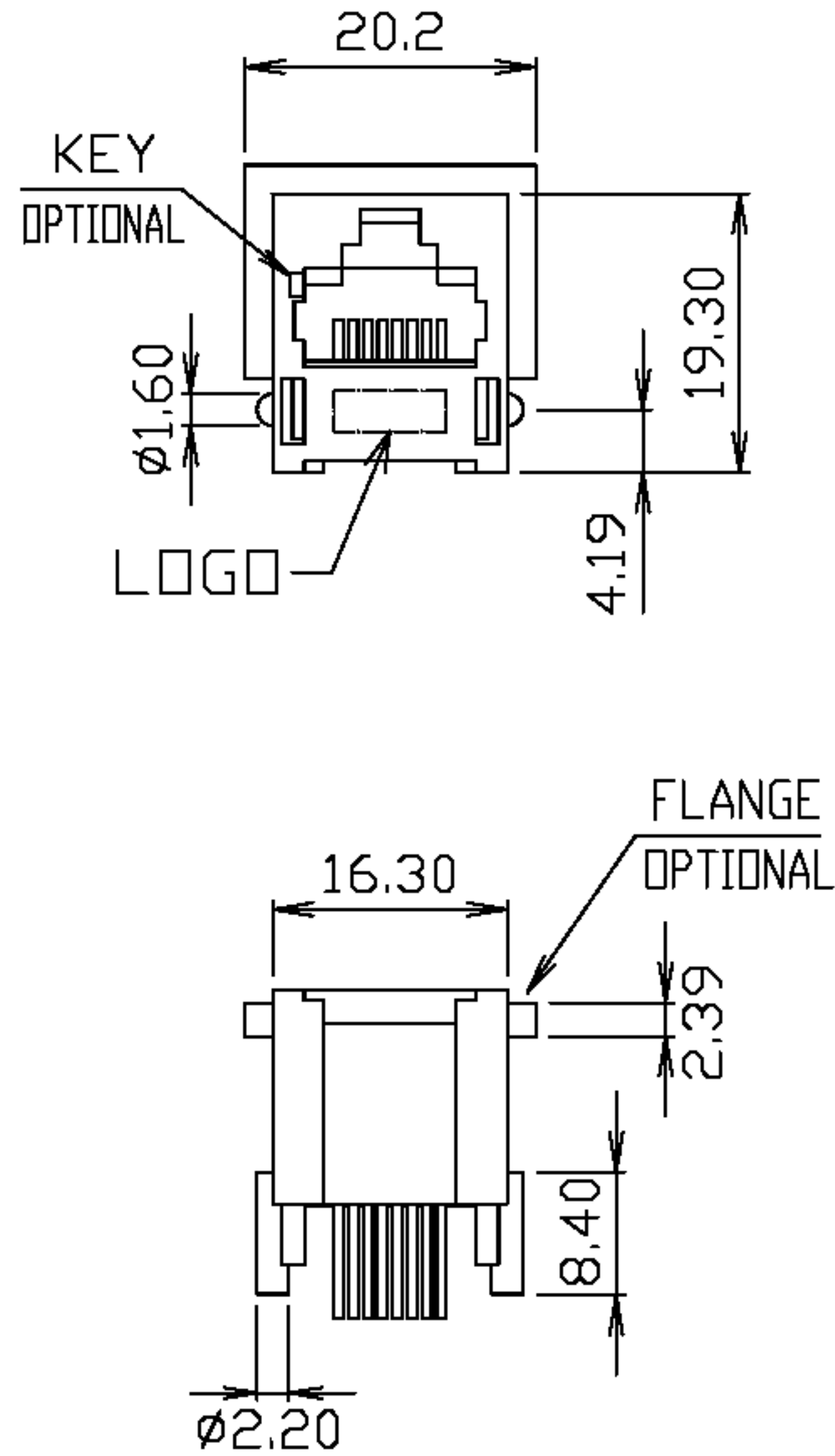
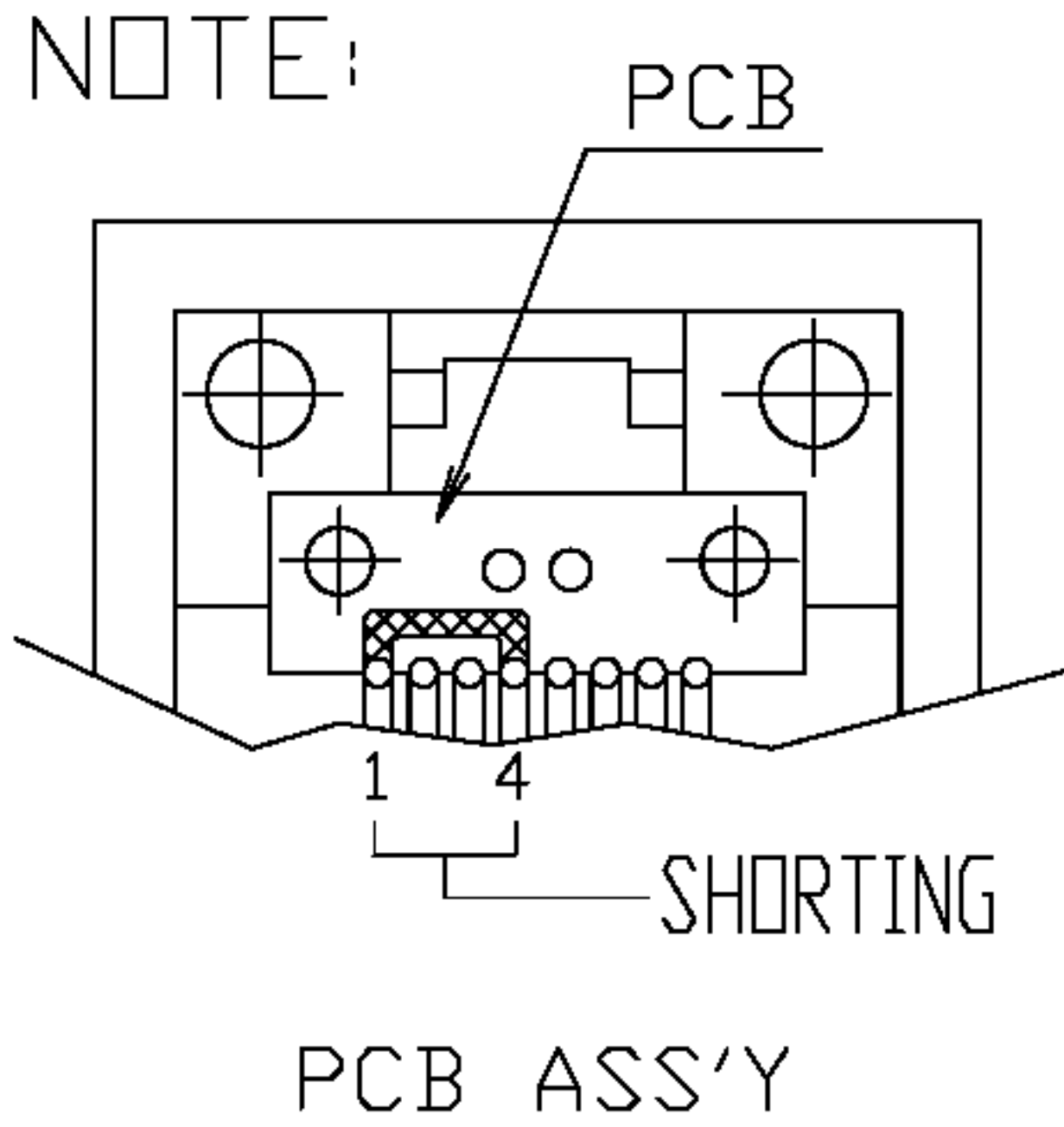


RoHS Compliance



REVISIONS			
LTR	DESCRIPTION	DATE	APP
△	ECN 3.18±0.4	07/24/'09	CHANG

淮洋有限公司 HUI YANG CO., LTD.  
 TEL : 886-2-8261-8986 FAX : 886-2-8261-1885  
 www.hy1688.com.tw 236新北市土城區中央路二段191號10樓之5

DO NOT SCALE DRAWING	TOLERANCES UNLESS OTHERWISE NOTED	INCH	MM	DR. <i>M.L.HUANG</i>	DATE JUL-28 '09
THIRD ANGLE PROJECTION	LINEAR	MM INCH	00 ± .01 000 ± .005 0000 ± .002	CK'D <i>M.CHANG</i>	JUL-28 '09
MM INCH	ANGLE ± 0° 30'	RADII	+ 0.40 - 0.15	APP'D <i>W.J.YANG</i>	JUL-29 '09

TITLE 8POSITION FLANGED TOP ENTRY PCB JACK	
SCALE SIZE DWG.NO. 969804	REV. SHEET 2 1