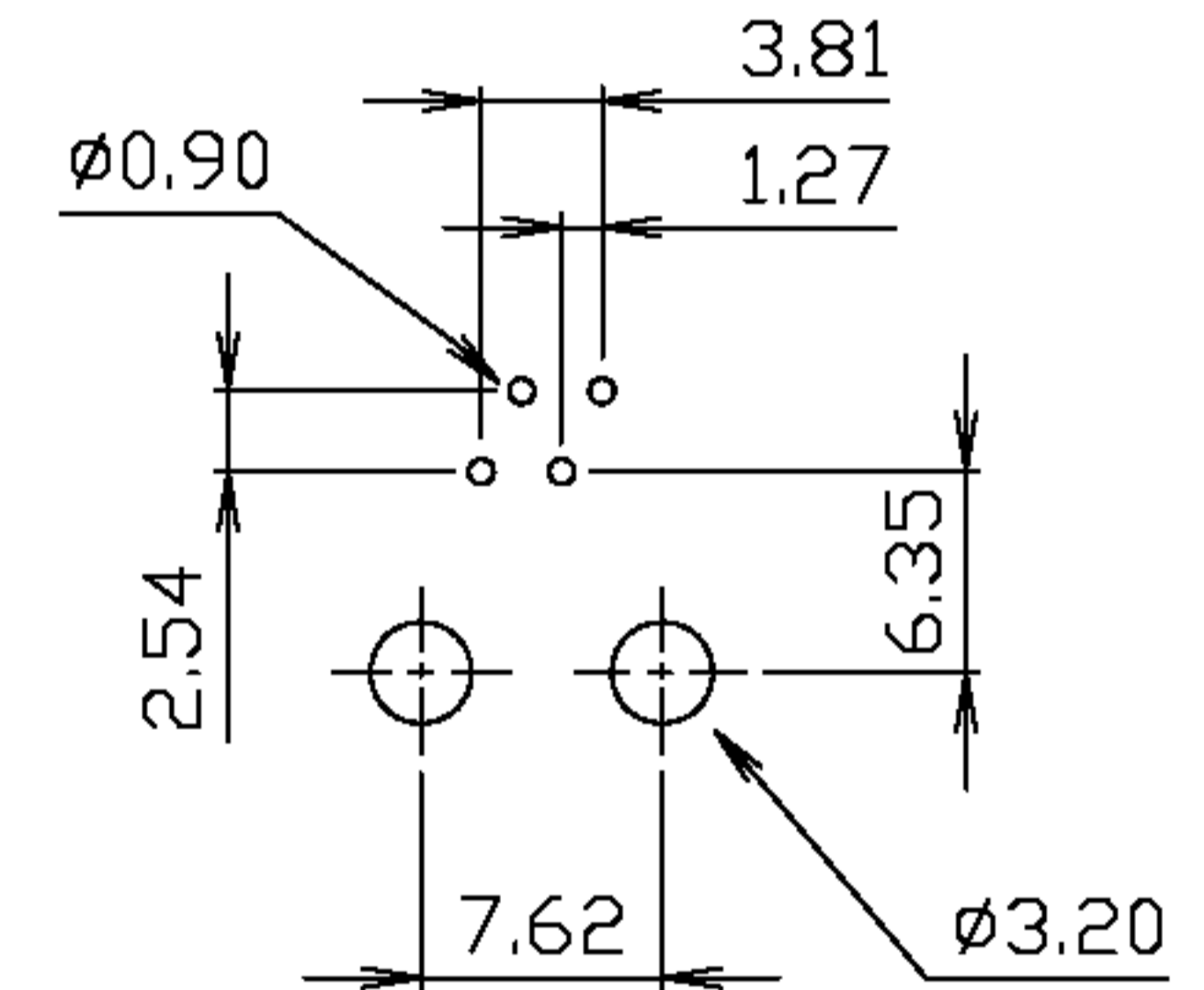
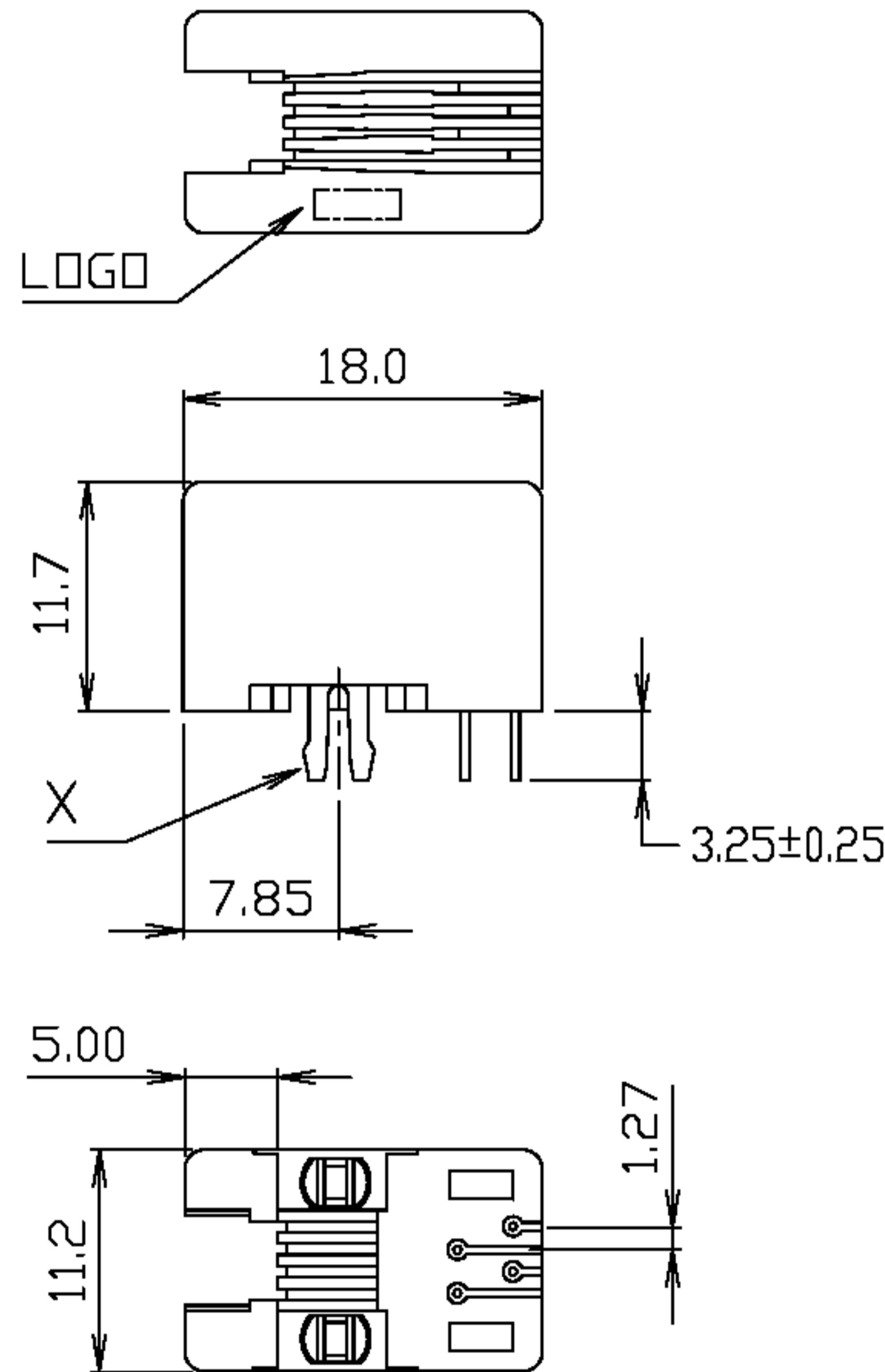
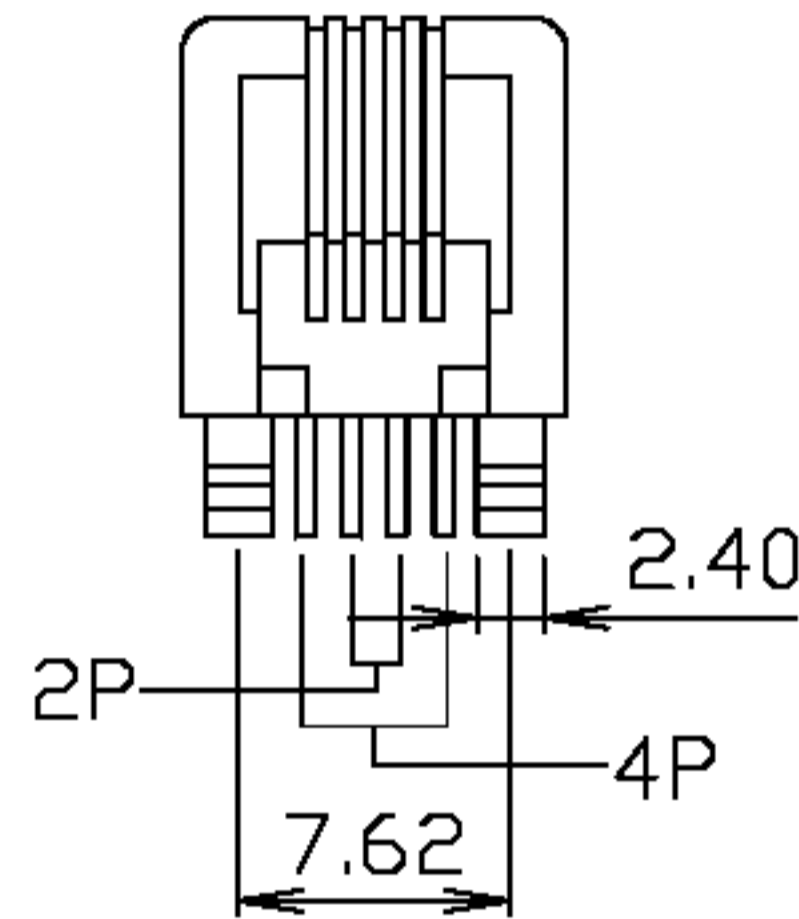
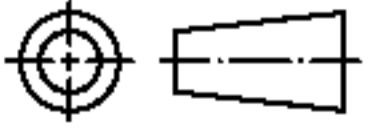


DETAIL X



PC Board Layout

淮洋有限公司 HUI YANG CO., LTD.
 TEL : 886-2-8261-8986 FAX : 886-2-8261-1885
 www.hy1688.com.tw 236新北市土城區中央路二段191號10樓之5

DO NOT SCALE DRAWING	TOLERANCES UNLESS OTHERWISE NOTED	INCH	MM	DR. <i>M.L.HUANG</i>	DATE APR-26 '02					
 THIRD ANGLE PROJECTION	LINEAR	$00 \pm .01$ $000 \pm .005$ $0000 \pm .002$	0.0 ± 0.25 0.00 ± 0.13 0.000 ± 0.05	CK'D <i>M.CHANG</i>	APR-26 '02	TITLE 4POSITION SIDE ENTRY VERY LOW PROFILE, PCB JACK				
MM INCH	ANGLE $\pm 0^{\circ} 30'$	RADII	$+0.40$ -0.15	APP'D <i>W.J.YANG</i>	APR-30 '02	SCALE	SIZE	DWG.NO. 969601	REV. 3	SHEET 1