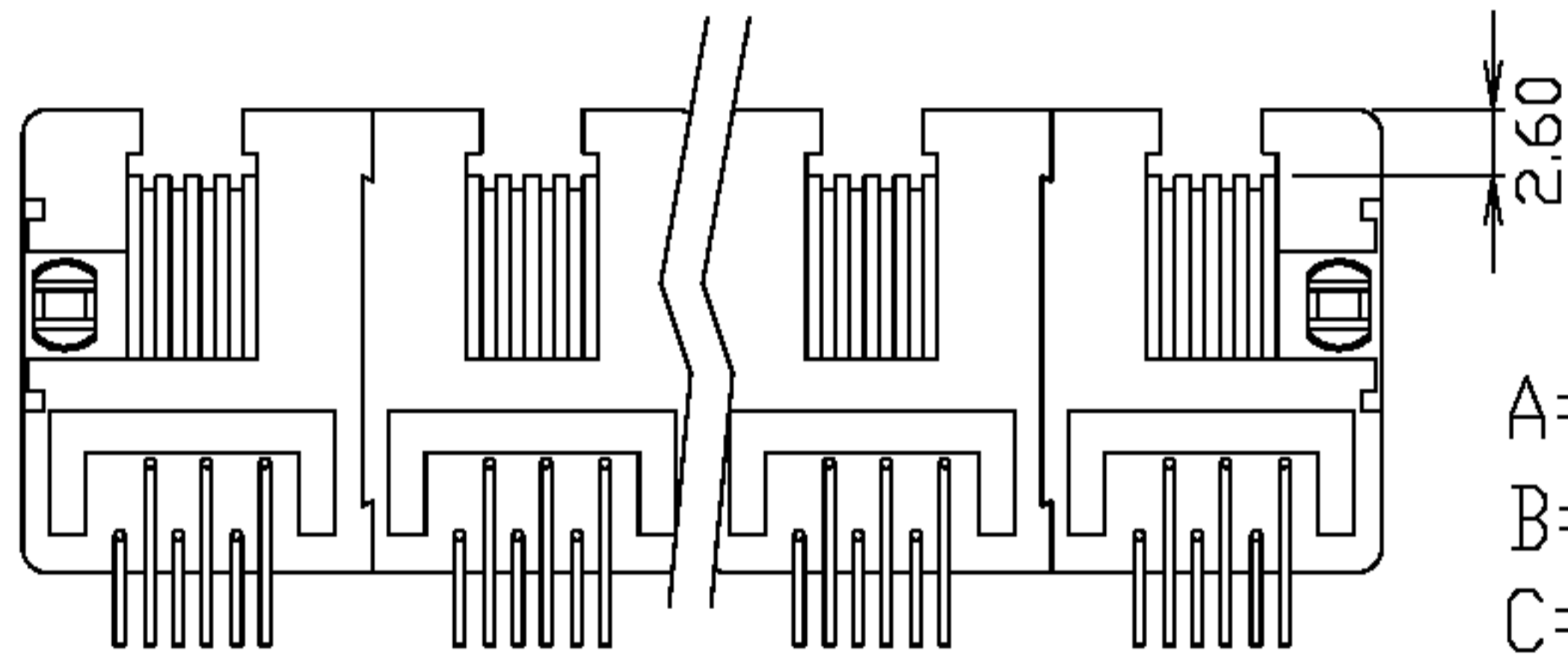
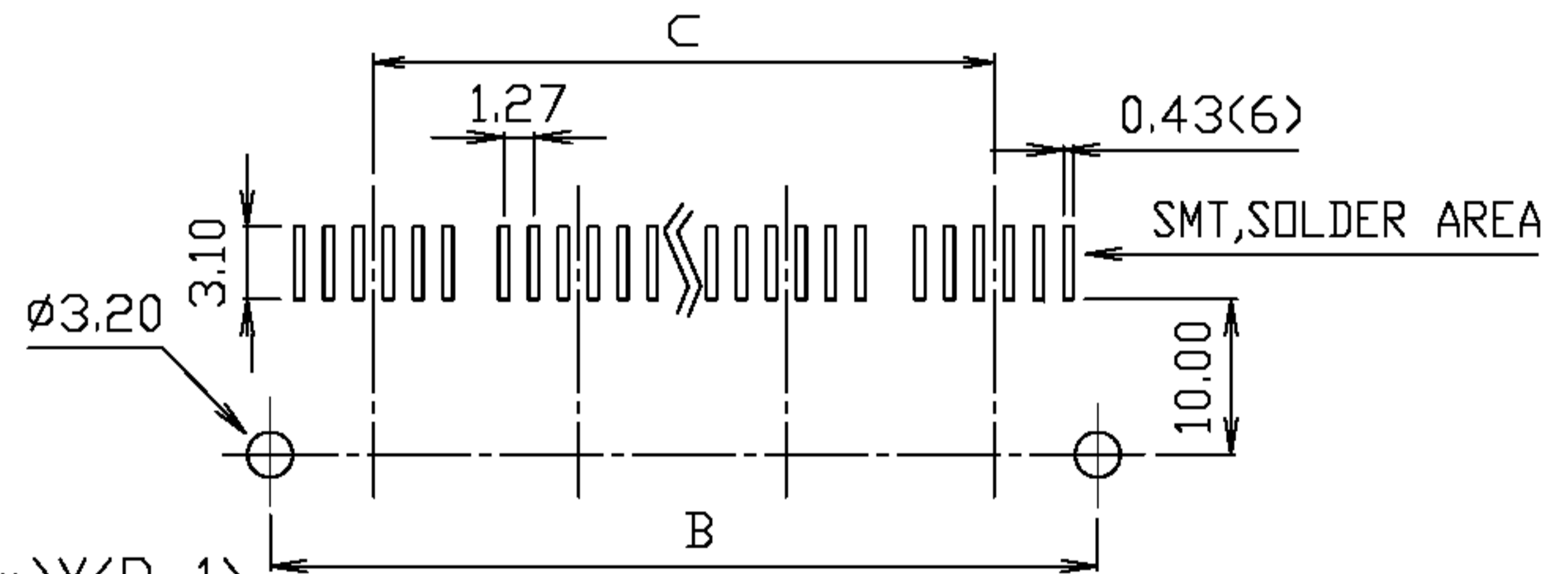
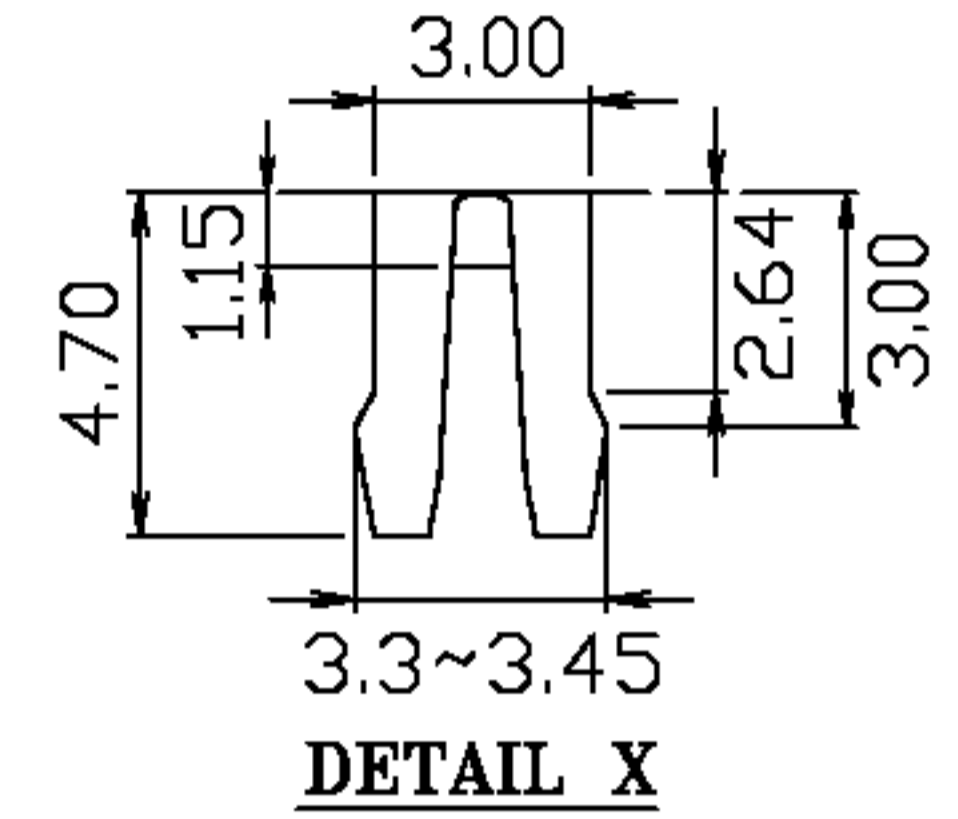
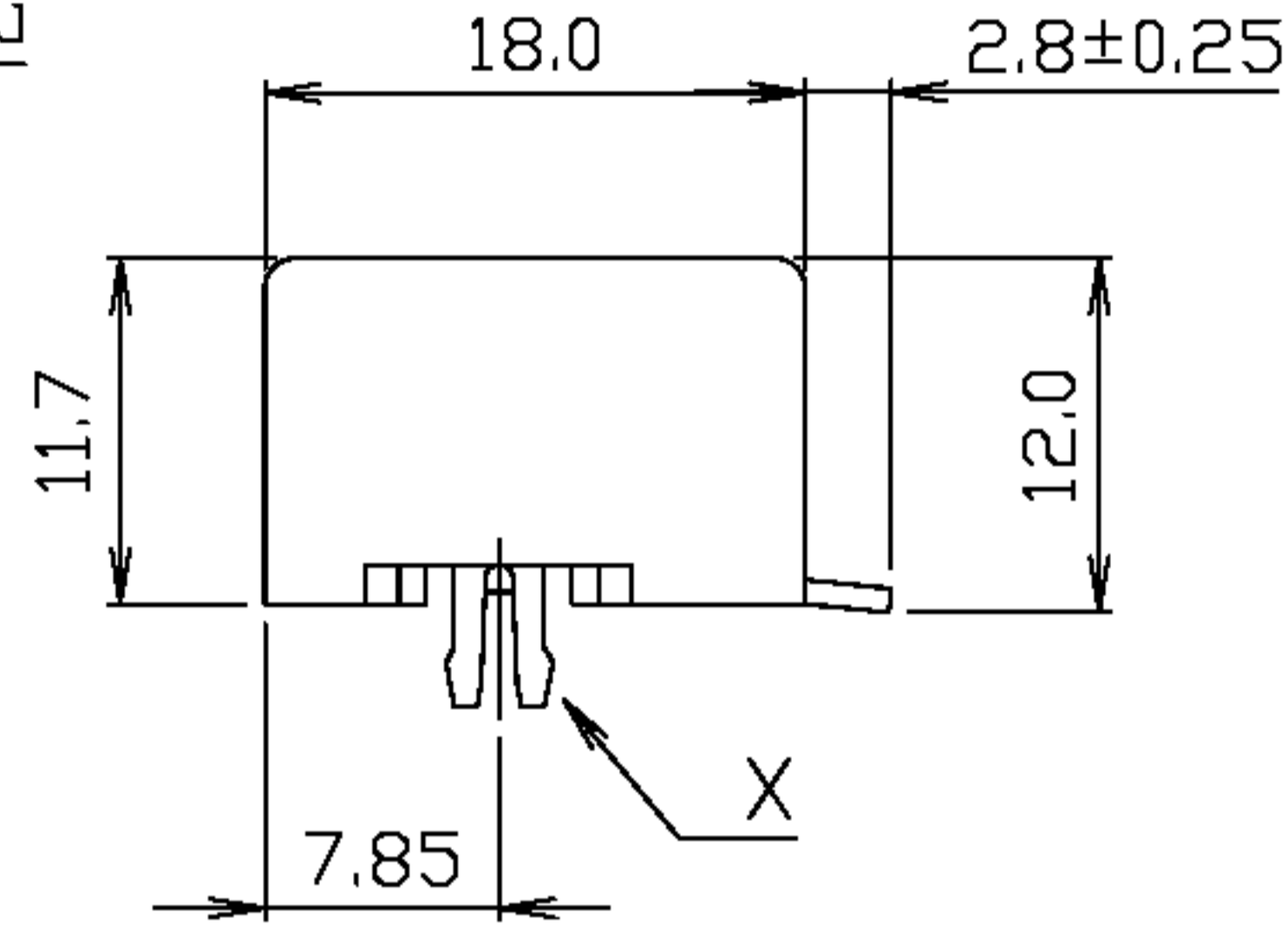
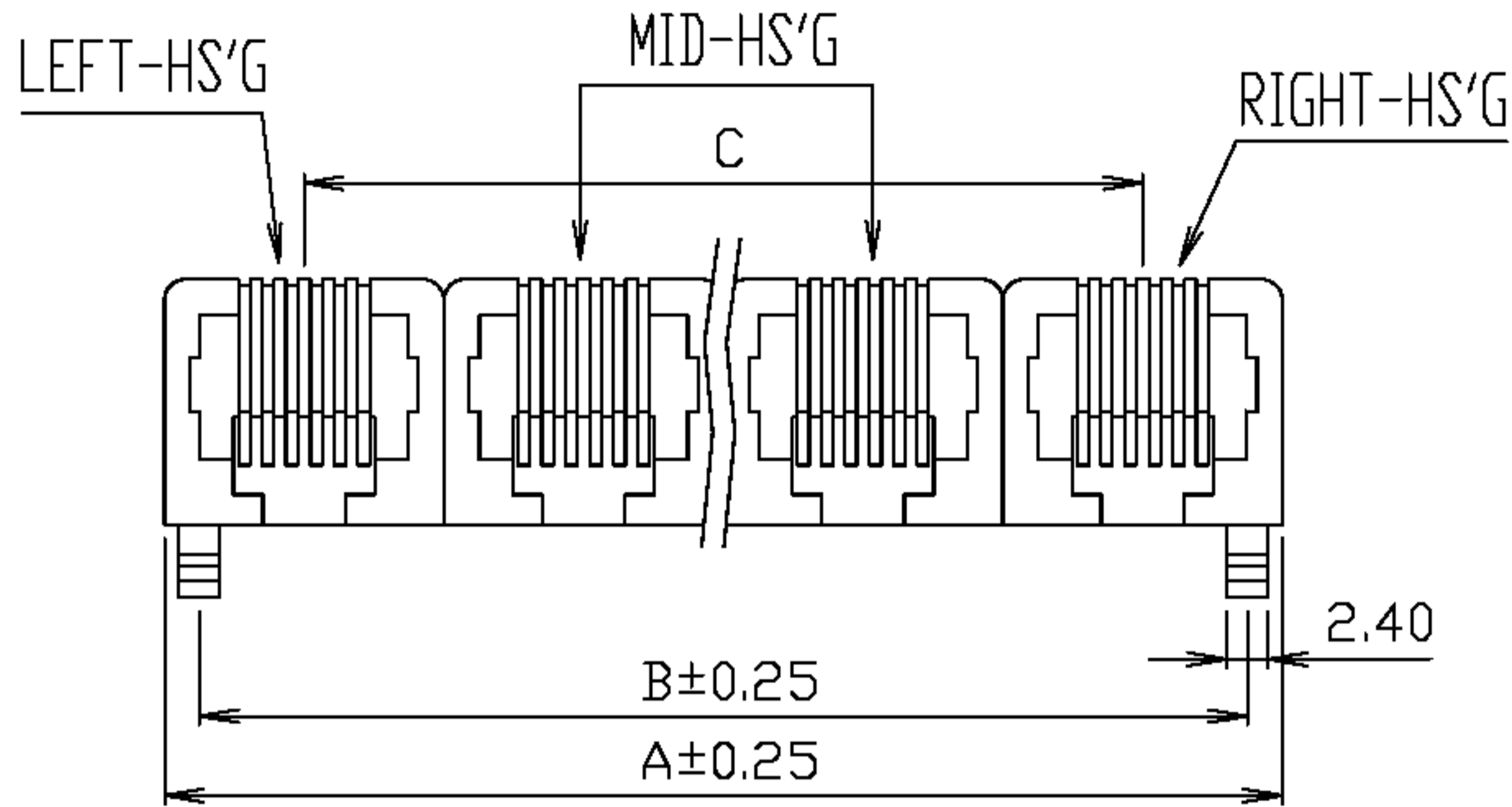


P=NUMBER OF PORTS



$A = 13.2(m/m) \times P - 0.50(m/m) \times (P - 1)$   
 $B = A - 3.04(m/m)$   
 $C = 12.7(m/m) \times (P - 1)$

PC Board Layout

淮洋有限公司 HUIYANG CO.,LTD.  
 TEL : 886-2-8261-8986 FAX : 886-2-8261-1885  
 www.hy1688.com.tw 236新北市土城區中央路二段191號10樓之5

DO NOT SCALE DRAWING	TOLERANCES UNLESS OTHERWISE NOTED	INCH	MM	DR. <i>M.L.HUANG</i>	DATE OCT-04 '01	TITLE 6POSITION SIDE ENTRY SMT TYPE VERY LOW PROFILE,GANGED JACK FROM 2PORTS UP.				
THIRD ANGLE PROJECTION	LINEAR $\frac{MM}{INCH}$	$00 \pm .01$ $000 \pm .005$ $0000 \pm .002$	$0.0 \pm 0.25$ $0.00 \pm 0.13$ $0.000 \pm 0.05$	CK'D <i>M.CHANG</i>	OCT-04 '01				SCALE	SIZE
MM INCH	ANGLE $\pm 0^{\circ} 30'$	RADII	+ 0.40 - 0.15	APP'D <i>W.J.YANG</i>	OCT-08 '01			969501	2	1