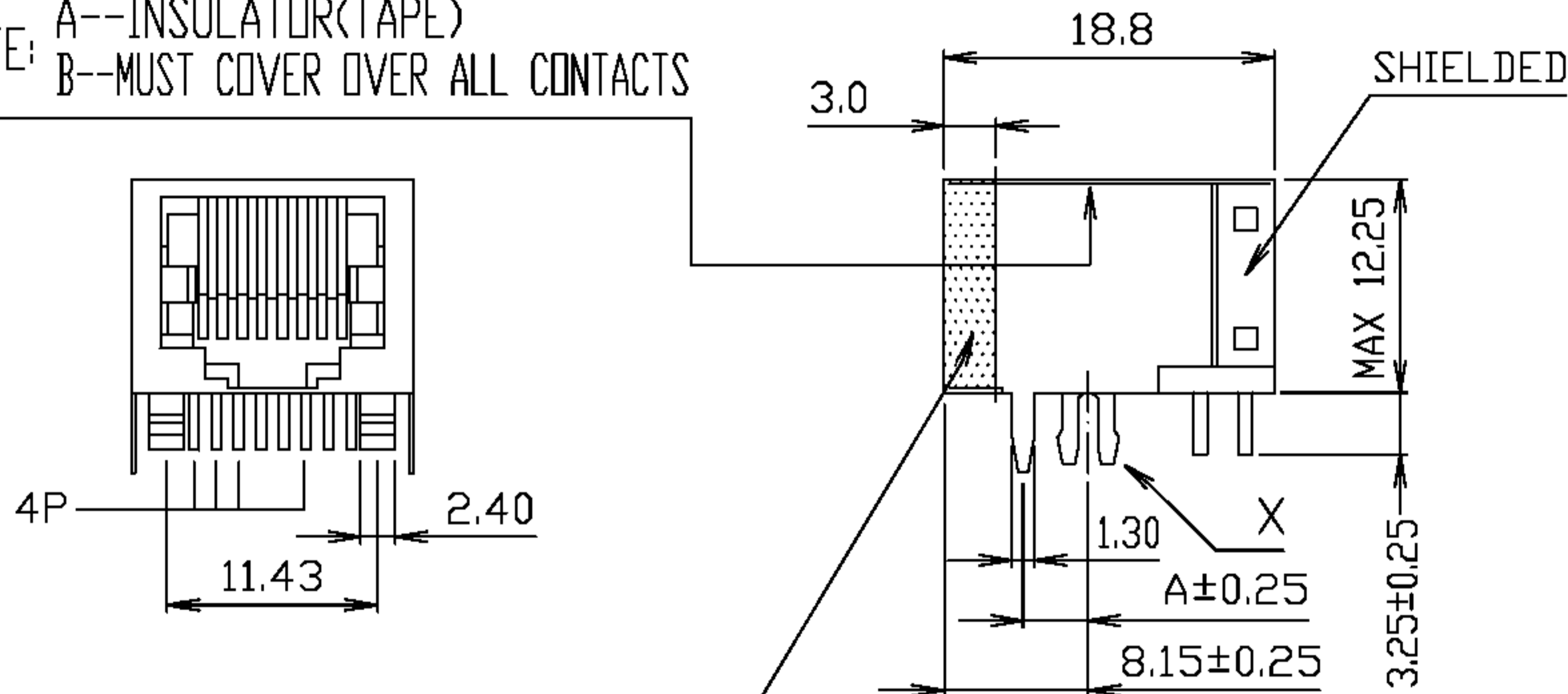
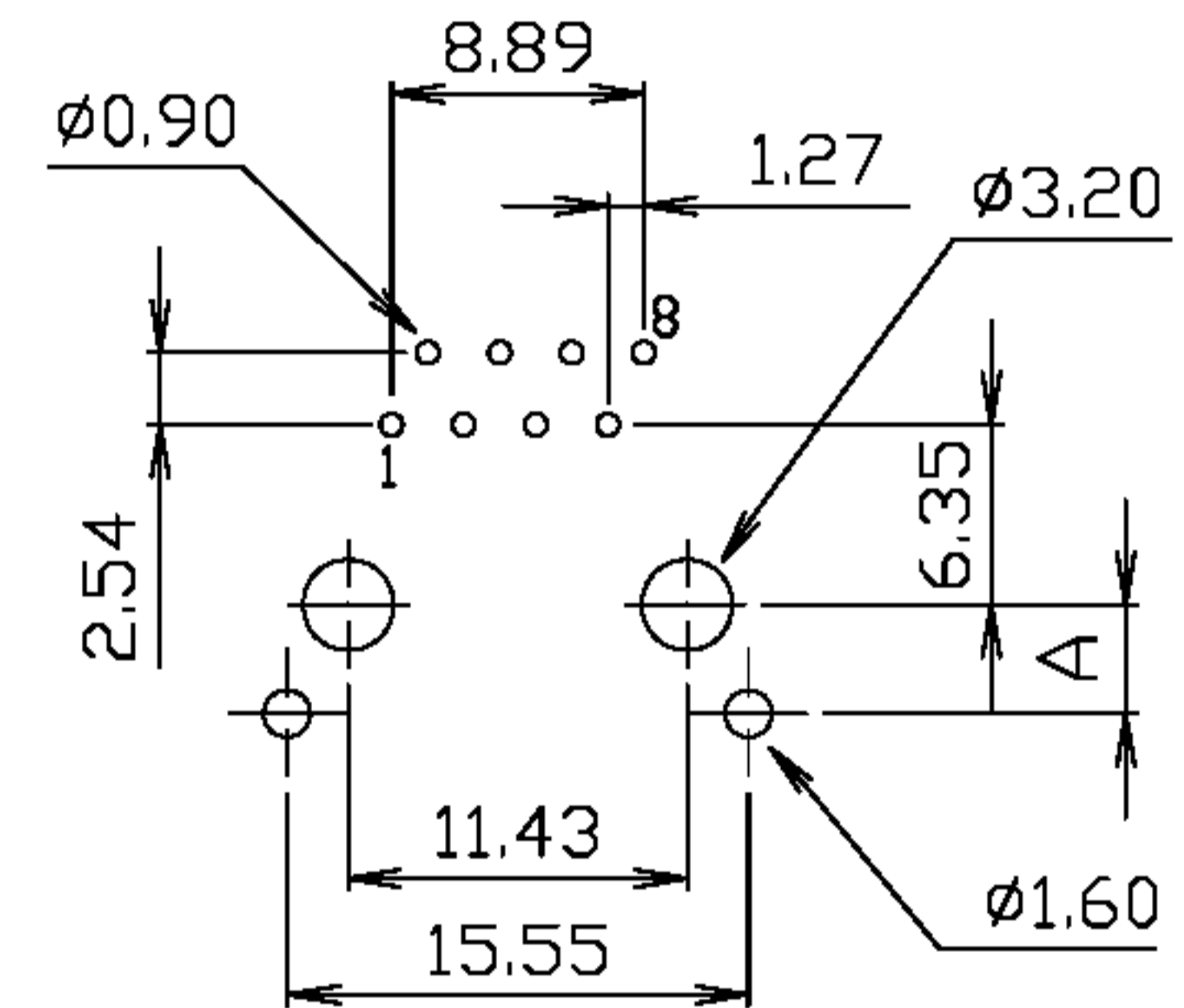
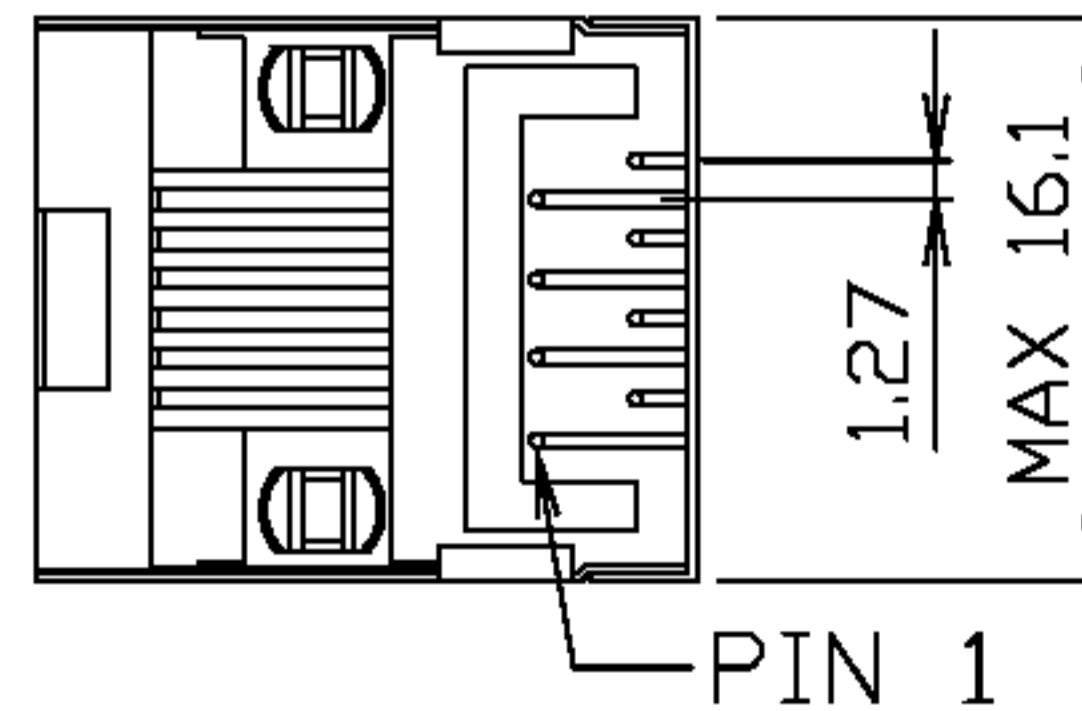
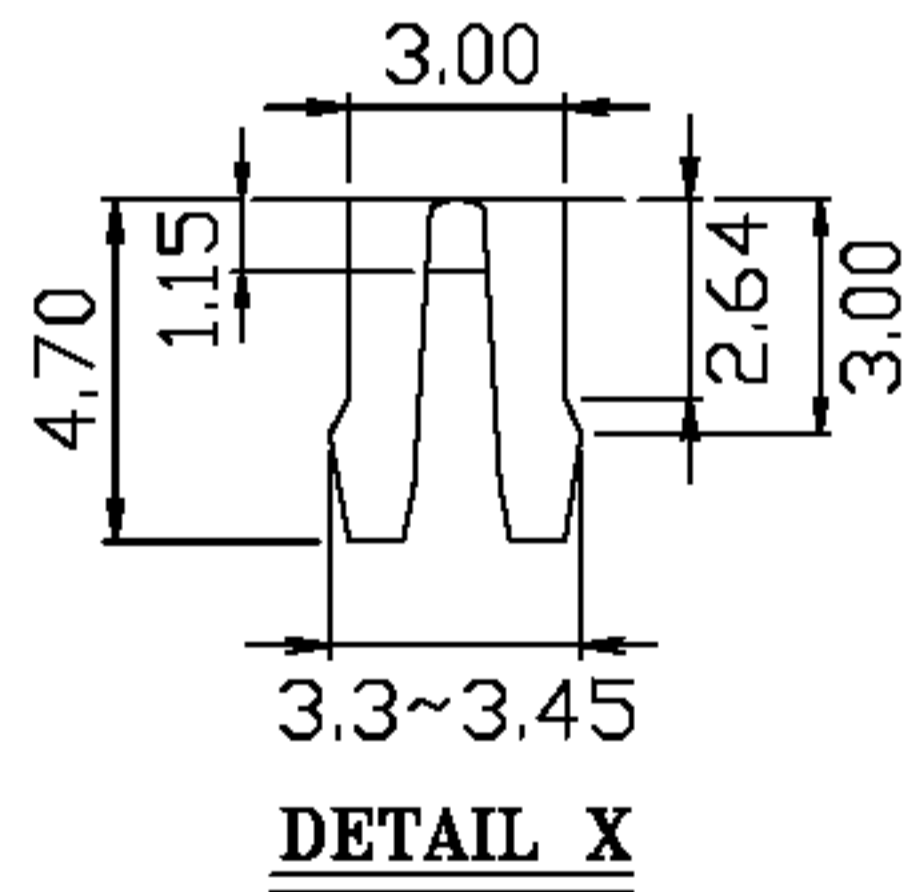


NOTE: A--INSULATOR(TAPE)
B--MUST COVER OVER ALL CONTACTS



Define The Area

WIDTH DIM. = $15.70^{+0.15}_{-0.10}$
HIGH DIM. = $12.00^{+0.15}_{-0.10}$



PC Board Layout

淮洋有限公司 HUI YANG CO., LTD.
TEL : 886-2-8261-8986 FAX : 886-2-8261-1885
www.hy1688.com.tw 236新北市土城區中央路二段191號10樓之5

TITLE		8 POSITION SIDE ENTRY VERY LOW PROFILE, SHIELDED PCB JACK		
SCALE	SIZE	DWG.NO.	REV.	SHEET
		969405	2	1

DO NOT SCALE DRAWING	TOLERANCES UNLESS OTHERWISE NOTED	INCH	MM	DR. H.W.CHAN	DATE OCT-11 '07
THIRD ANGLE PROJECTION	LINEAR	$00 \pm .01$ $000 \pm .005$ $0000 \pm .002$	0.0 ± 0.25 0.00 ± 0.13 0.000 ± 0.05	CK'D M.CHANG	OCT-11 '07
MM INCH	ANGLE $\pm 0^{\circ} 30'$	RADII	$+ 0.40$ $- 0.15$	APP'D W.J.YANG	OCT-12 '07