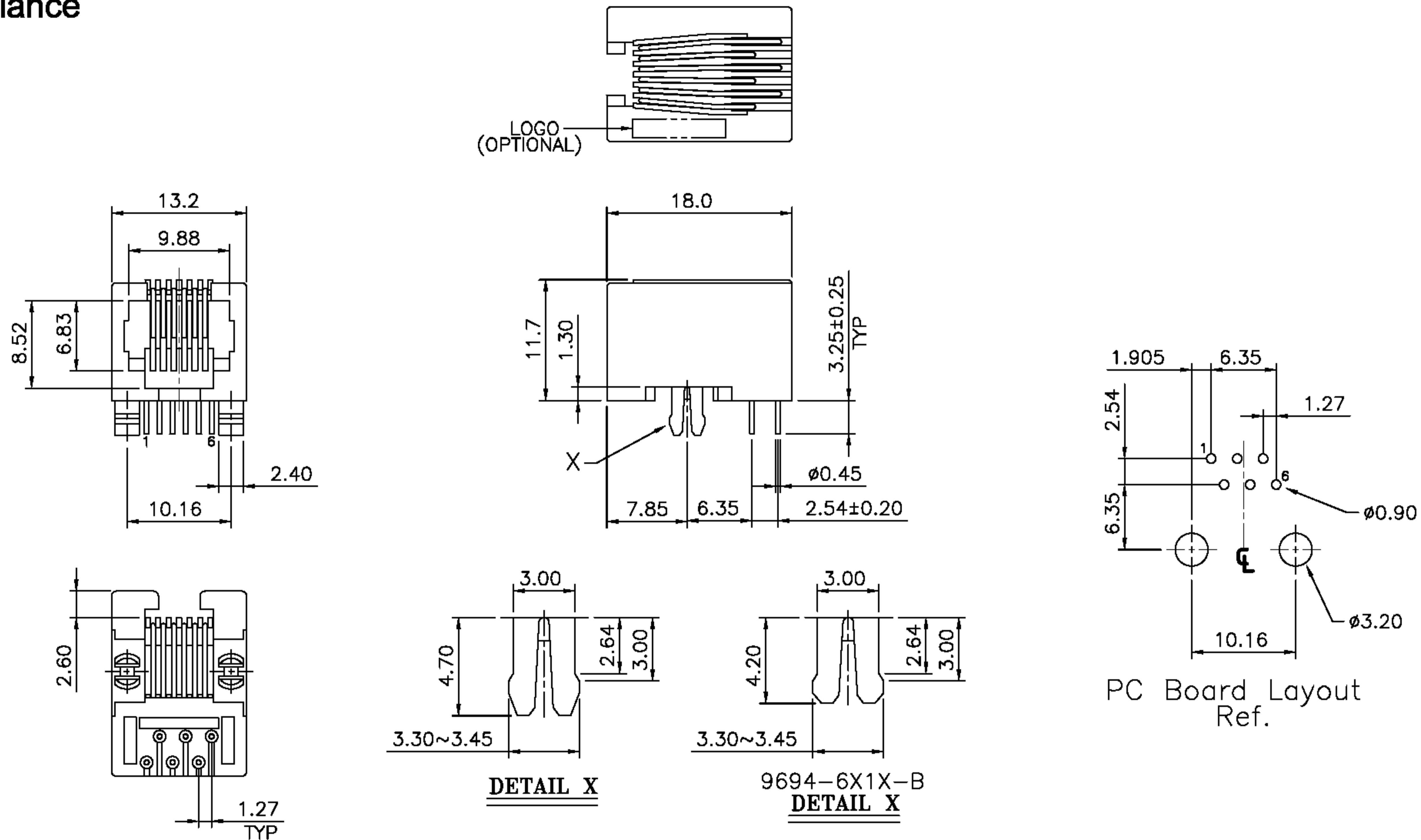


# RoHS Compliance



淮洋有限公司 HUI YANG CO., LTD.  
 TEL : 886-2-8261-8986 FAX : 886-2-8261-1885  
 www.hy1688.com.tw 236新北市土城區中央路二段191號10樓之5

DO NOT SCALE DRAWING	TOLERANCES UNLESS OTHERWISE NOTED	INCH	MM	DR. <i>M.L.HUANG</i>	DATE JUN-12 '08	TITLE 6POSITION, SIDE ENTRY, VERY LOW PROFILE, PCB JACK				
THIRD ANGLE PROJECTION	LINEAR	MM INCH	00 ± .01 000 ± .005 0000 ± .002	CK'D <i>M.CHANG</i>	JUN-12 '08	SCALE	SIZE	DWG.NO.	REV.	SHEET
MM INCH	ANGLE ± 0° 30'	RADII	+ 0.40 - 0.15	APP'D <i>W.J.YANG</i>	JUN-13 '08			969402	5	1