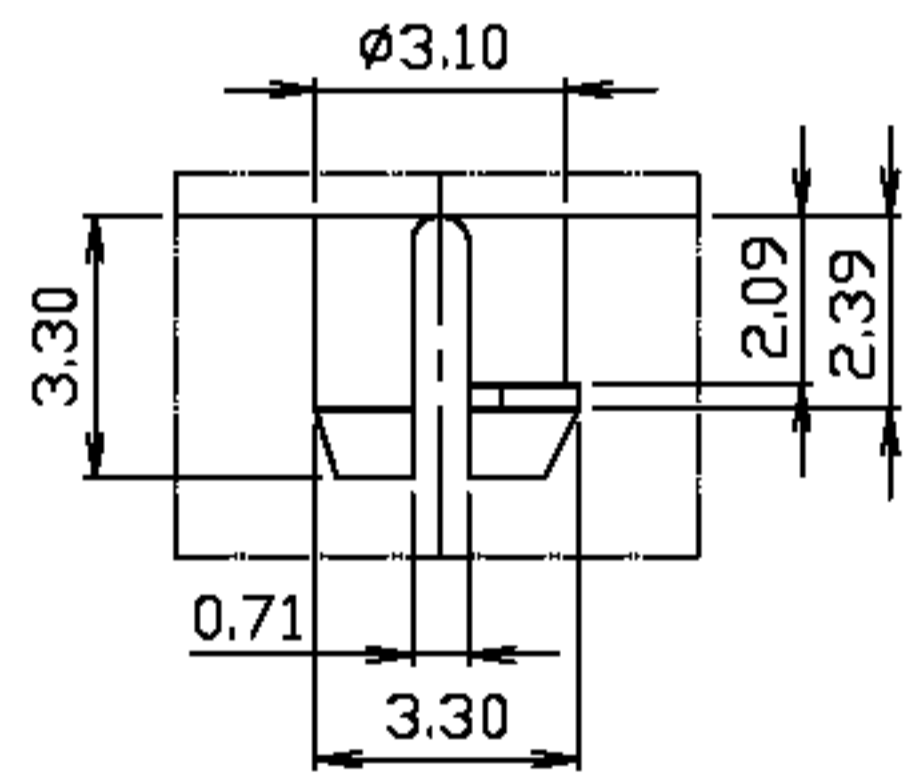
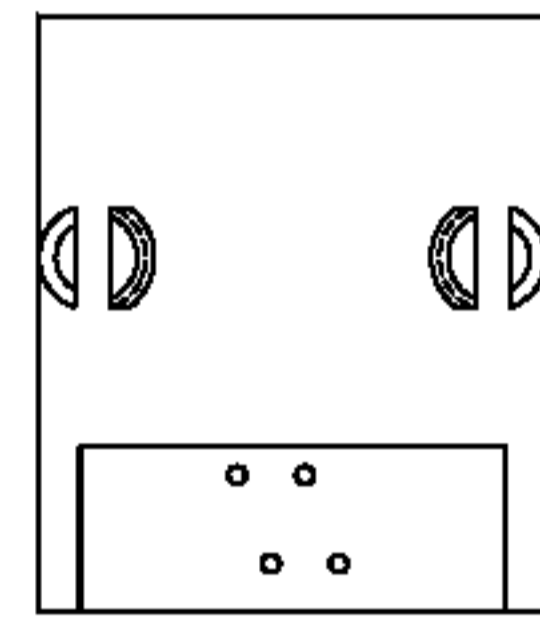


PC Board Layout



DETAIL X



淮洋有限公司 HUI YANG CO., LTD.
 TEL : 886-2-8261-8986 FAX : 886-2-8261-1885
 www.hy1688.com.tw 236新北市土城區中央路二段191號10樓之5

DO NOT SCALE DRAWING	TOLERANCES UNLESS OTHERWISE NOTED	INCH	MM	DR. M.L.HUANG	DATE NOV-02 '00	TITLE 4POSITION LOW PROFILE SIDE ENTRY PCB JACK	
THIRD ANGLE PROJECTION	LINEAR	$00 \pm .01$ $000 \pm .005$ $0000 \pm .002$	0.0 ± 0.25 0.00 ± 0.13 0.000 ± 0.05	CK'D M.CHANG	NOV-02 '00	SCALE	SHEET
MM INCH	ANGLE $\pm 0^\circ 30'$	RADII	$+0.40$ -0.15	APP'D W.J.YANG	NOV-04 '00	SIZE DWG.NO. 968801	REV. SHEET 1 1