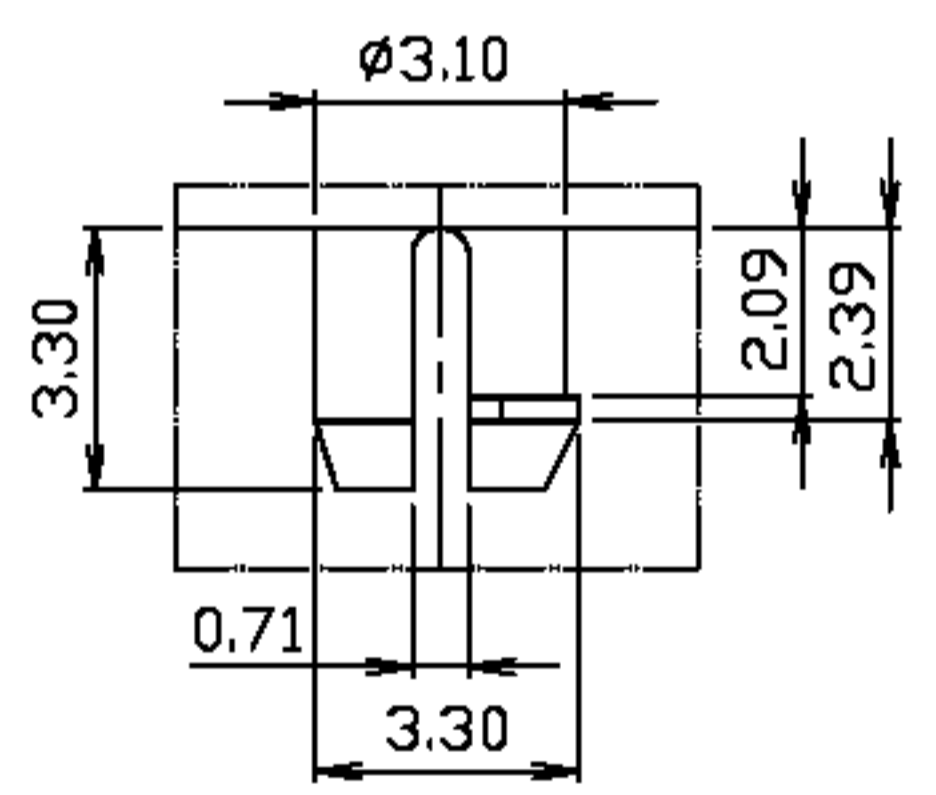
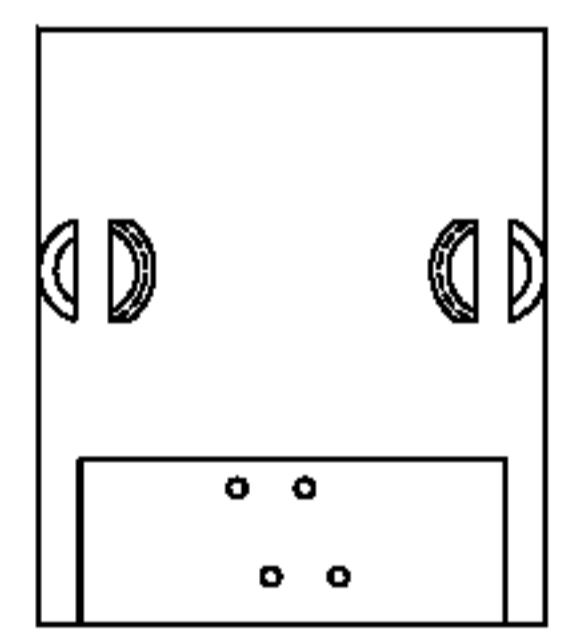


PC Board Layout



DETAIL X



淮洋有限公司 HUI YANG CO., LTD.  
 TEL : 886-2-8261-8986 FAX : 886-2-8261-1885  
 www.hy1688.com.tw 236新北市土城區中央路二段191號10樓之5

DO NOT SCALE DRAWING	TOLERANCES UNLESS OTHERWISE NOTED	INCH	MM	DR. M.L.HUANG	DATE OCT-31 '00	TITLE 4POSITION LOW PROFILE SIDE ENTRY PCB JACK	
THIRD ANGLE PROJECTION	LINEAR	$00 \pm .01$ $000 \pm .005$ $0000 \pm .002$	$0.0 \pm 0.25$ $0.00 \pm 0.13$ $0.000 \pm 0.05$	CK'D M.CHANG	OCT-31 '00	SCALE	SHEET
MM INCH	ANGLE $\pm 0^\circ 30'$	RADII	$+0.40$ $-0.15$	APP'D W.J.YANG	NOV-04 '00	DWG.NO. 968601	REV. 1 SHEET 1