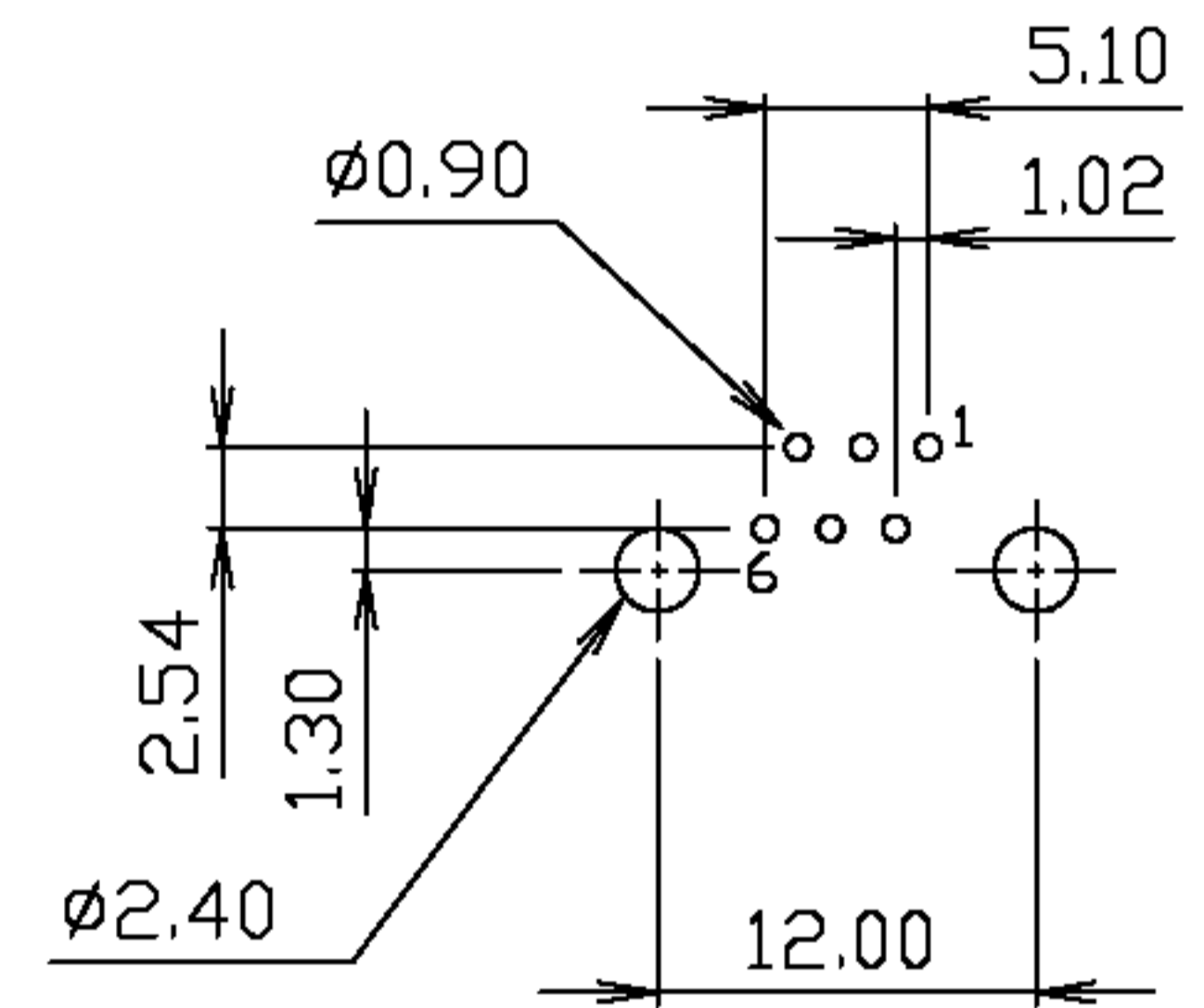
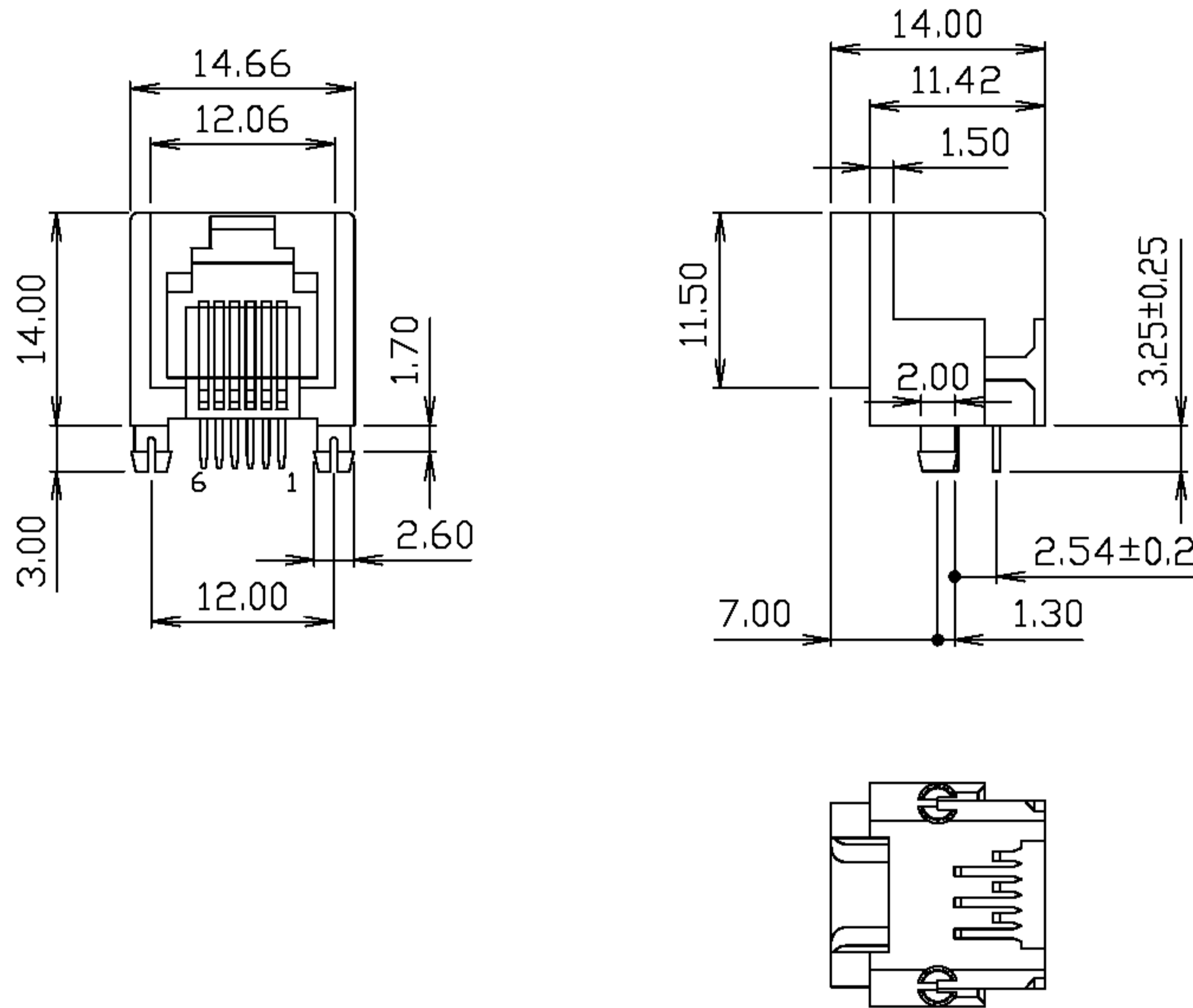


RoHS Compliance



PC Board Layout  
REF.

淮洋有限公司 HUI YANG CO., LTD.  
TEL : 886-2-8261-8986 FAX : 886-2-8261-1885  
www.hy1688.com.tw 236新北市土城區中央路二段191號10樓之5

TITLE		6POSITION SIDE ENTRY PCB JACK	
SCALE	SIZE	DWG.NO.	REV. SHEET
		967601	3 1

DO NOT SCALE DRAWING	TOLERANCES UNLESS OTHERWISE NOTED	INCH	MM	DR. <i>CIAN.CI.LUO</i>	DATE SEP-16 '08
THIRD ANGLE PROJECTION	LINEAR	$00 \pm .01$ $000 \pm .005$ $0000 \pm .002$	$0.0 \pm 0.25$ $0.00 \pm 0.13$ $0.000 \pm 0.05$	CK'D <i>M.CHANG</i>	SEP-16 '08
MM INCH	ANGLE $\pm 0^{\circ} 30'$	RADII	$+ 0.40$ $- 0.15$	APP'D <i>W.J.YANG</i>	SEP-17 '08