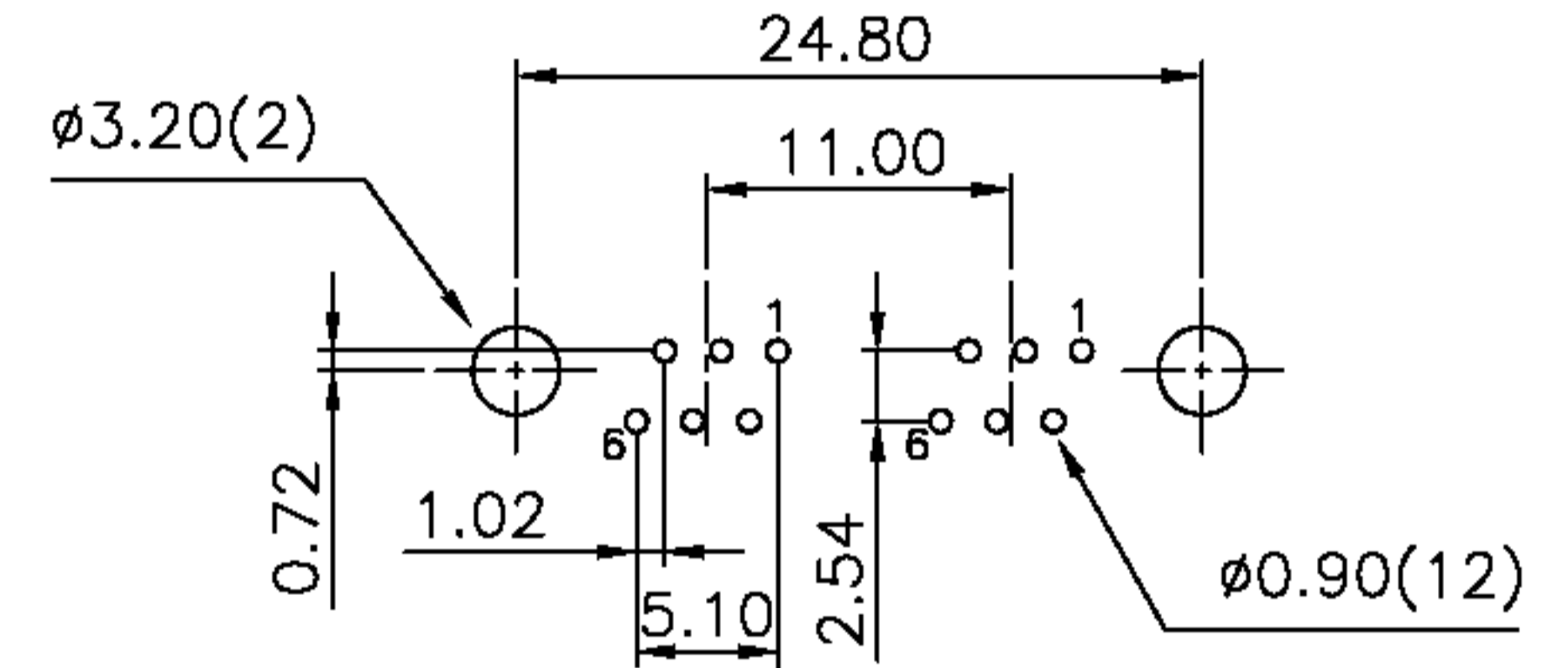
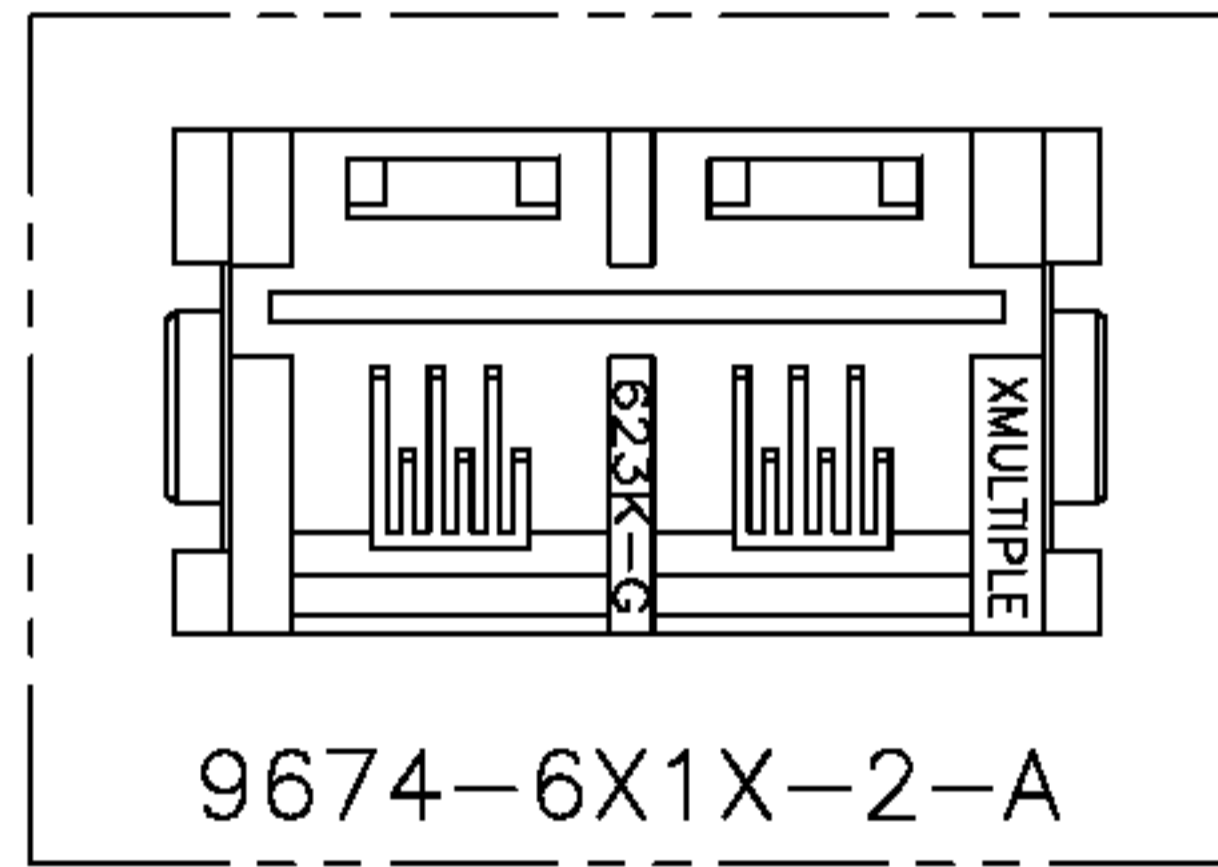
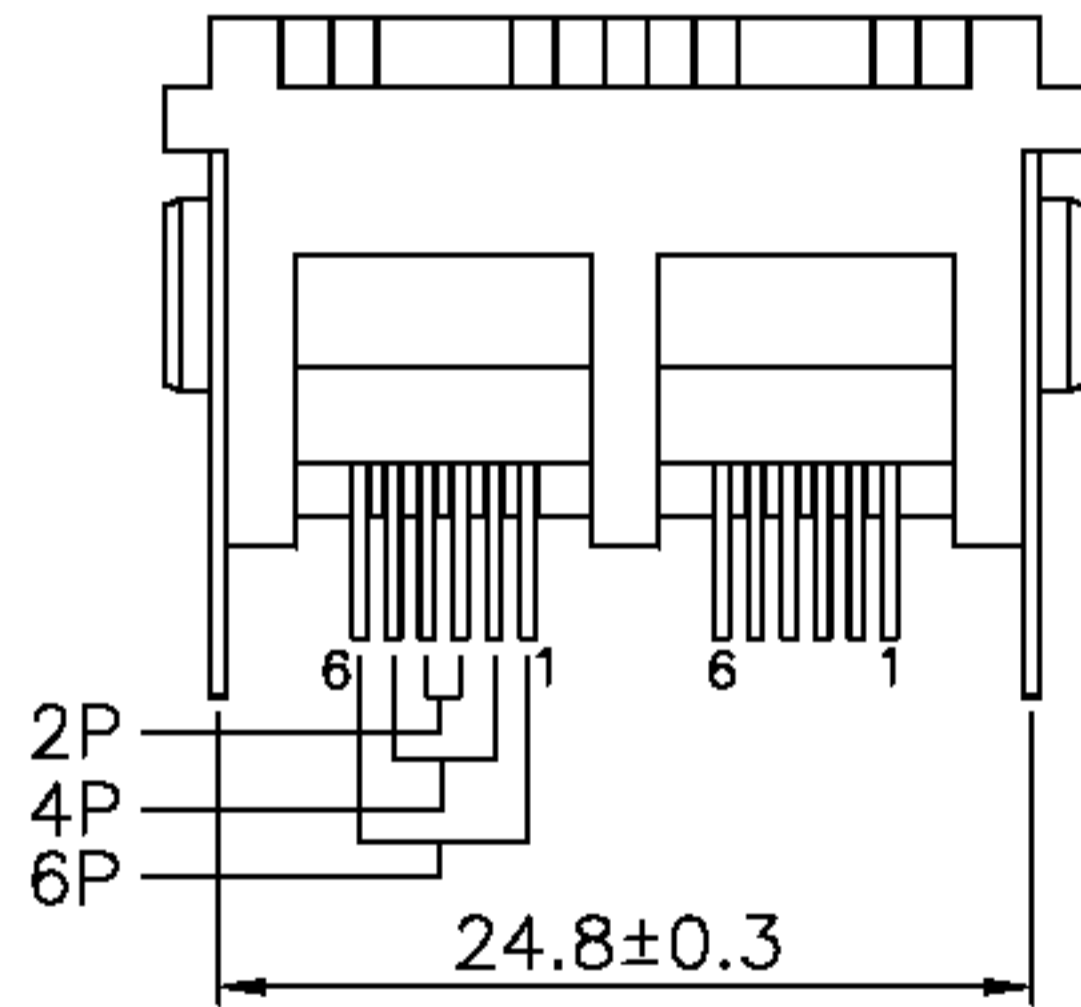
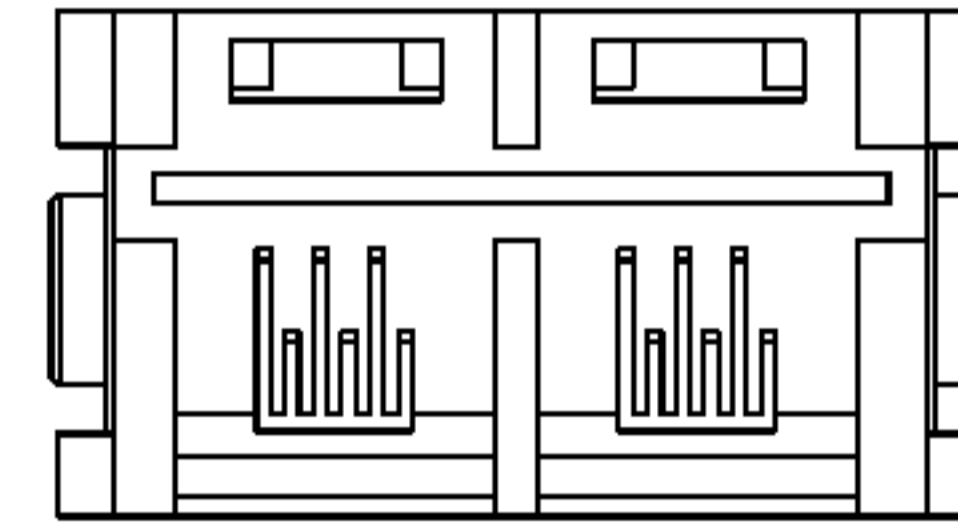
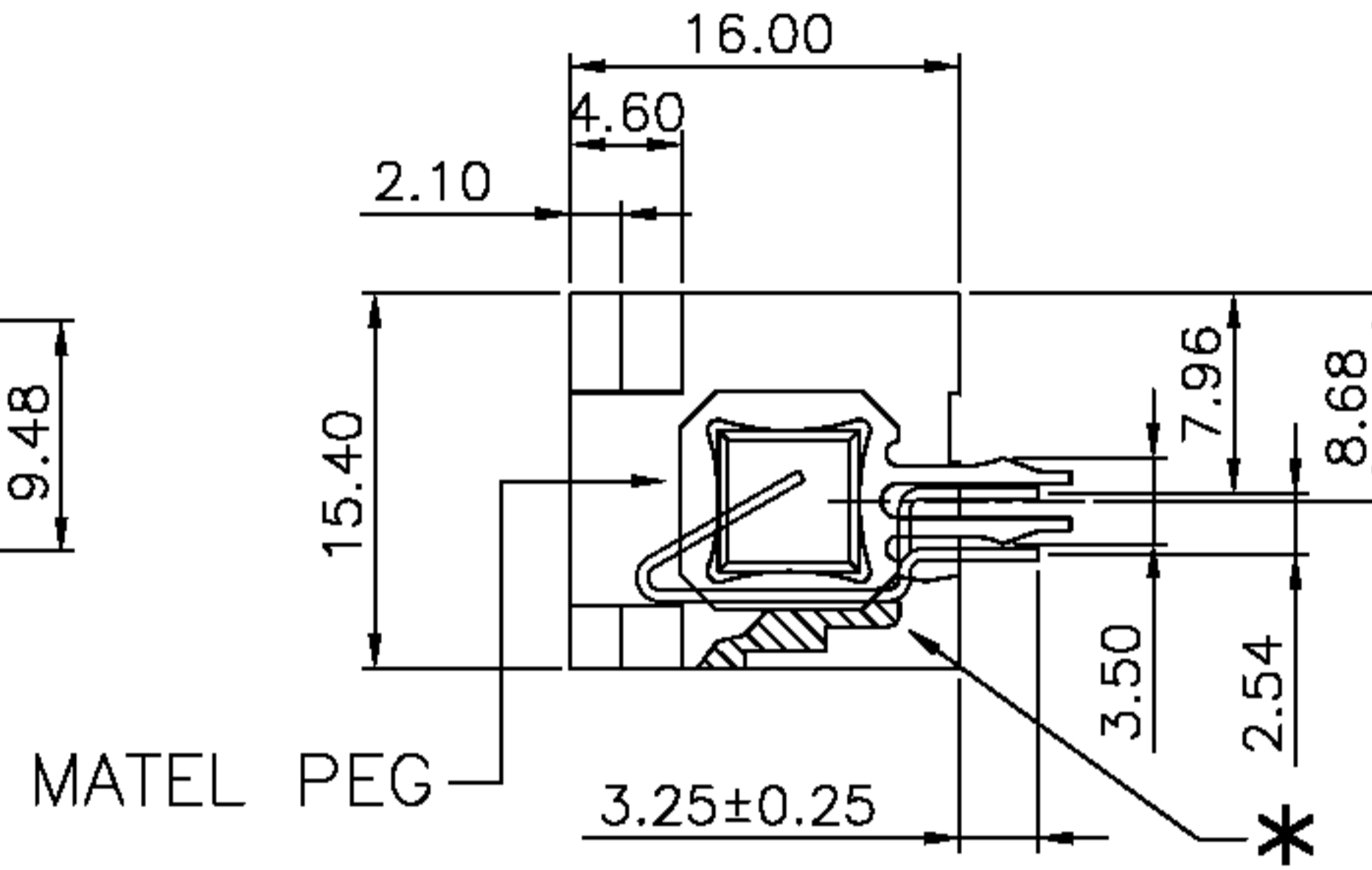
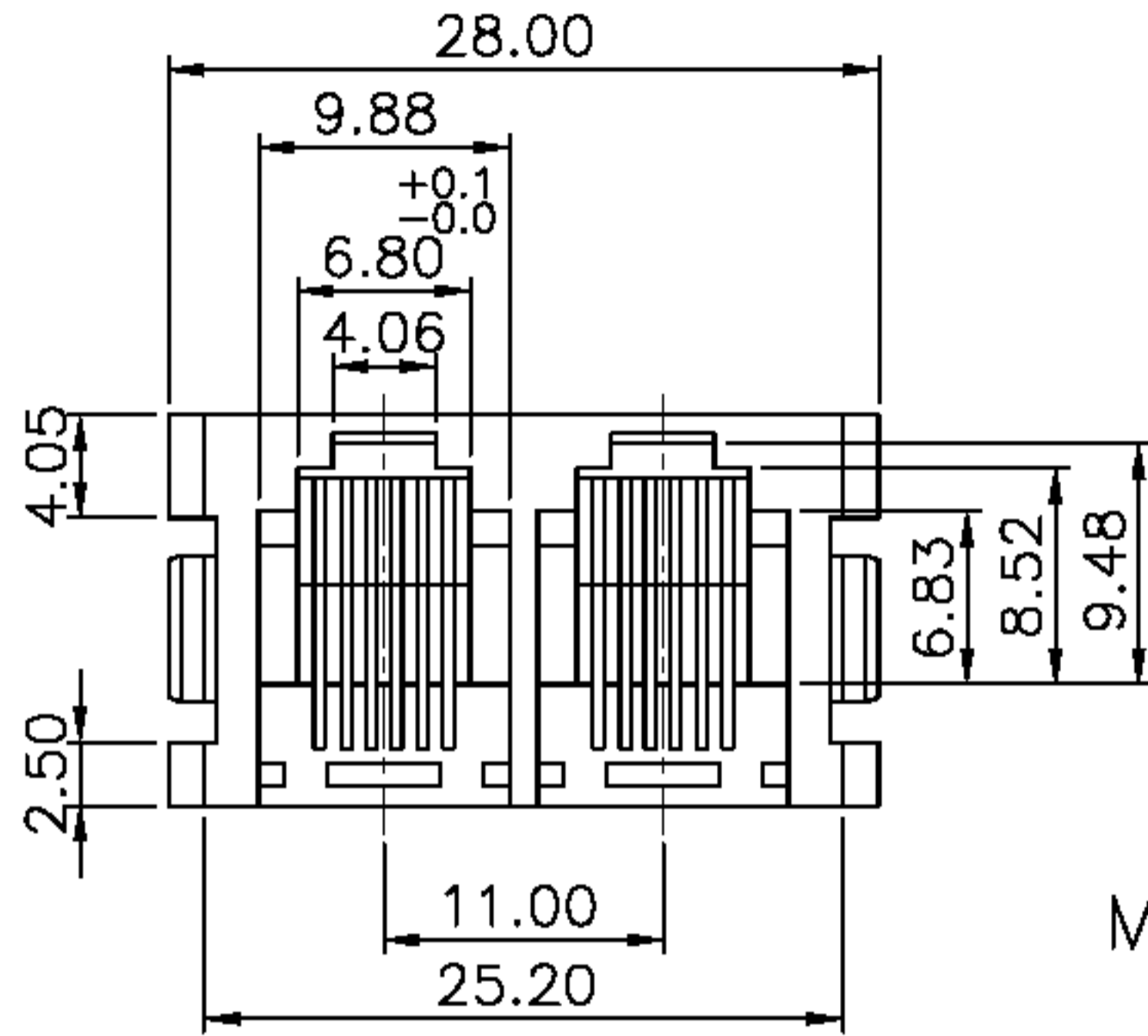


RoHS Compliance



PC Board Layout  
Ref.

淮洋有限公司 HUI YANG CO., LTD.

TEL : 886-2-8261-8986 FAX : 886-2-8261-1885  
www.hy1688.com.tw 236新北市土城區中央路二段191號10樓之5

DO NOT SCALE  
DRAWING

TOLERANCES UNLESS  
OTHERWISE NOTED

INCH

MM

DR.

*M.L.HUANG*

DATE

OCT-30 '08

THIRD ANGLE PROJECTION

LINEAR  $\frac{\text{MM}}{\text{INCH}}$

00 ± .01  
000 ± .005  
0000 ± .002

0.0 ± 0.25  
0.00 ± 0.13  
0.000 ± 0.05

CK'D

*M.CHANG*

OCT-30 '08

TITLE  
2PORTS 6POSITION TOP ENTRY  
FLAT CONTACTS, PCB GANDED JACK

MM  
INCH

ANGLE ± 0° 30'

RADII

+ 0.40  
- 0.15

APP'D

*W.J.YANG*

OCT-31 '08

SCALE SIZE DWG.NO.

967401

REV.

3

SHEET

1