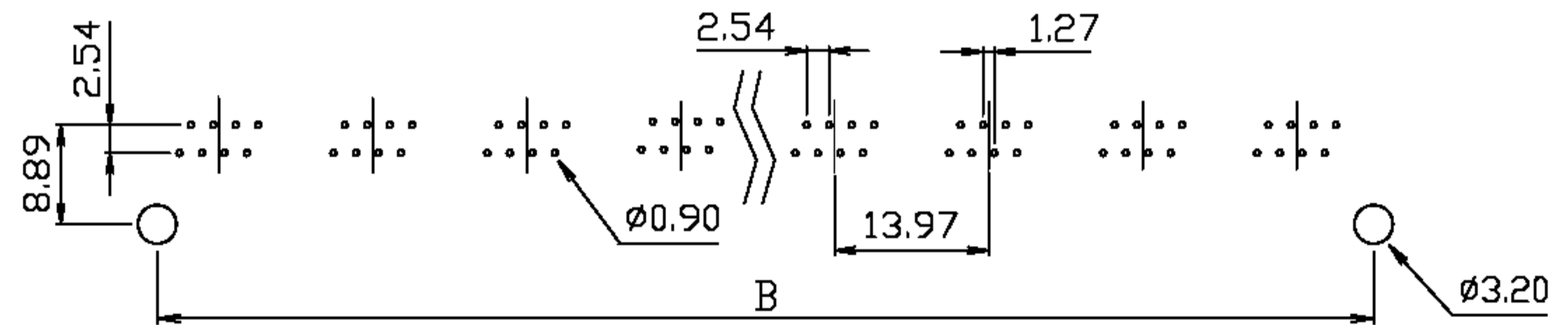
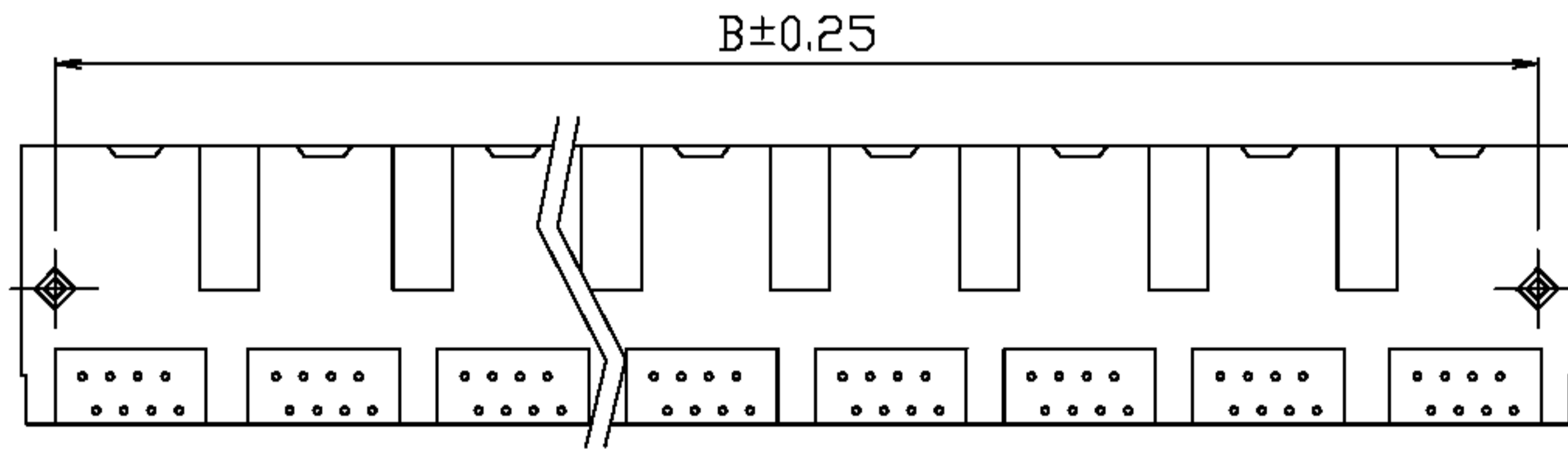
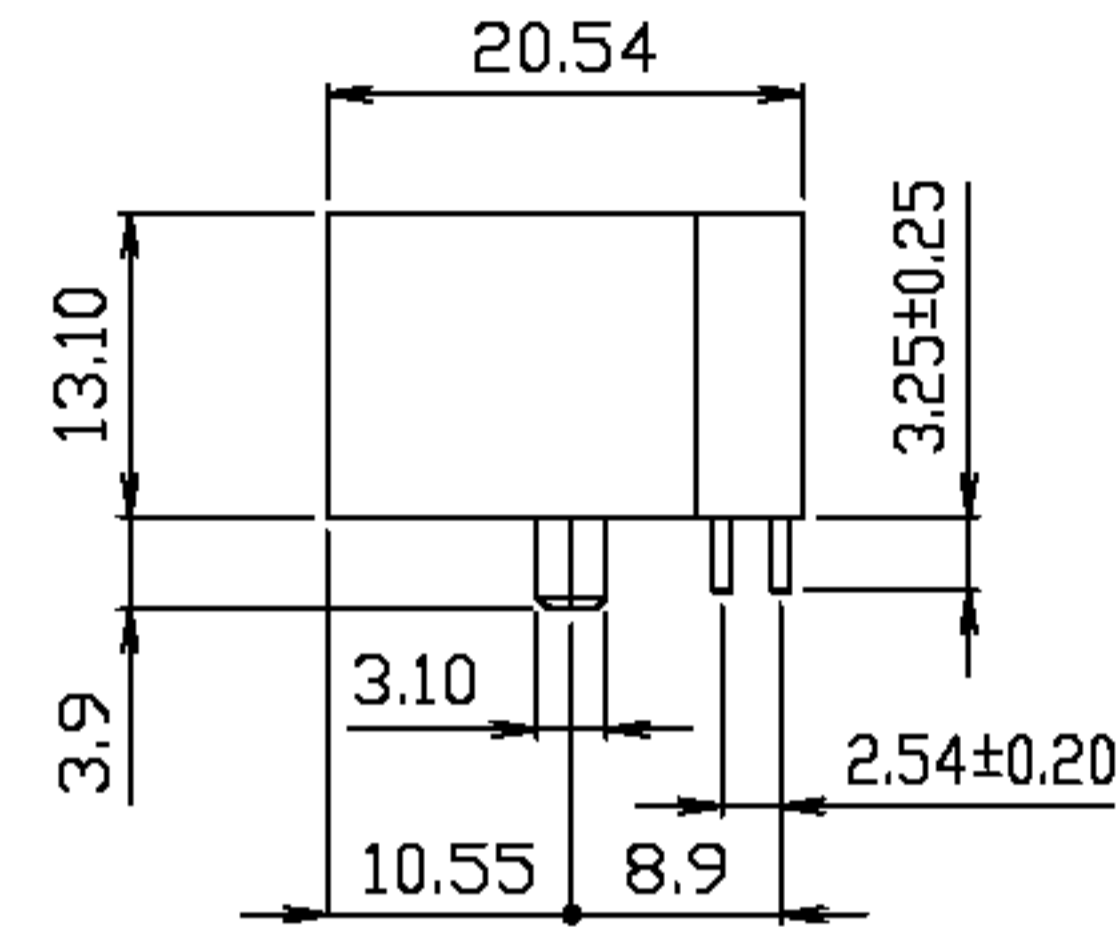
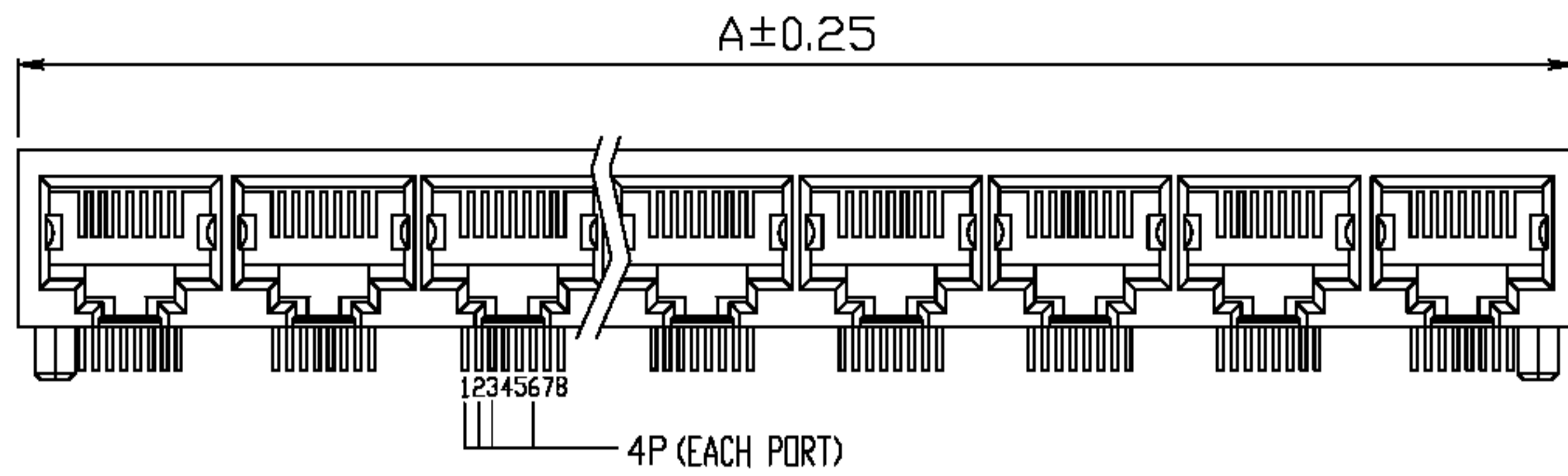


9670-8X1X-P — PORTS NUMBER



PC Board Layout

PORTS DIM	2	3	4	5	6	7	8	9	10	11	12
A	30.48	44.45	58.30	72.39	86.36	100.33	114.30	128.27	142.24	156.21	170.18
B	25.40	39.37	53.34	67.31	81.28	95.25	109.22	123.19	137.16	154.13	165.10

DO NOT SCALE DRAWING	TOLERANCES UNLESS OTHERWISE NOTED	INCH	MM	DR. <i>M.L.HUANG</i>	DATE DEC-11 '00
THIRD ANGLE PROJECTION	LINEAR	MM INCH	00 ± .01 000 ± .005 0000 ± .002	0.0 ± 0.25 0.00 ± 0.13 0.000 ± 0.05	CK'D <i>M.CHANG</i>
MM INCH	ANGLE ± 0° 30'	RADII	+ 0.40 - 0.15	APP'D <i>W.J.YANG</i>	DATE DEC-14 '00

淮洋有限公司 HUIYANG CO., LTD.
TEL : 886-2-8261-8986 FAX : 886-2-8261-1885
www.hy1688.com.tw 236新北市土城區中央路二段191號10樓之5

TITLE 2 TO 12 PORTS 8POSITION SHIELDLESS
SIDE ENTRY PCB GANGED JACK

SCALE	SIZE	DWG.NO.	REV.	SHEET
		967001	1	1