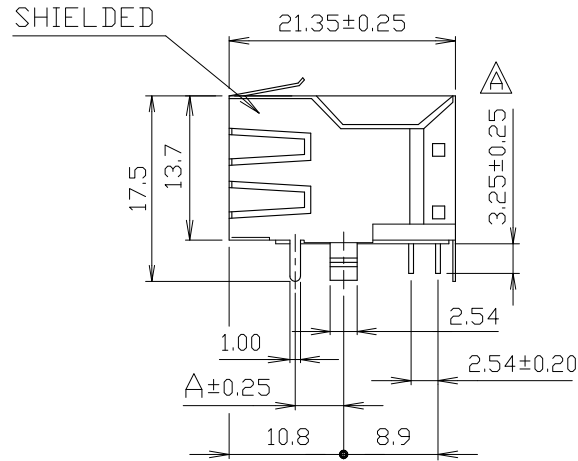
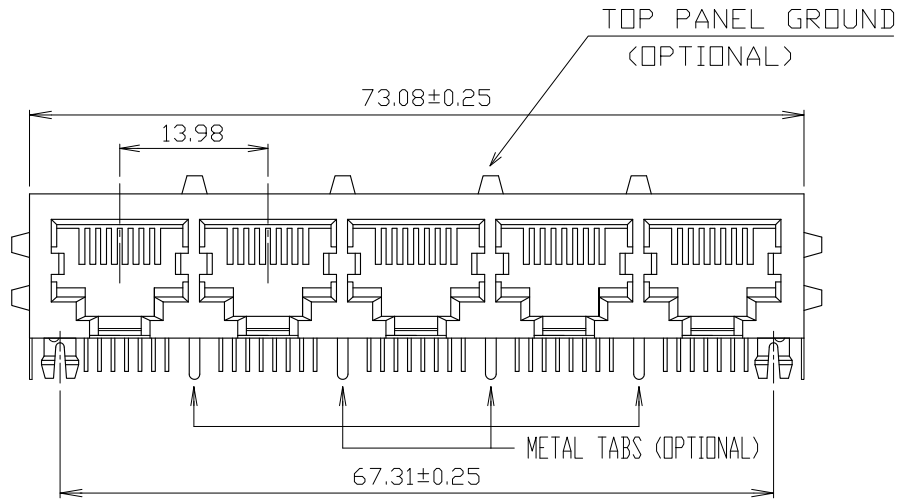
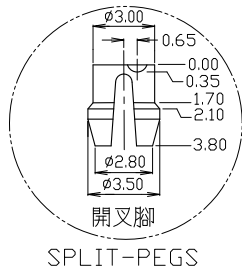
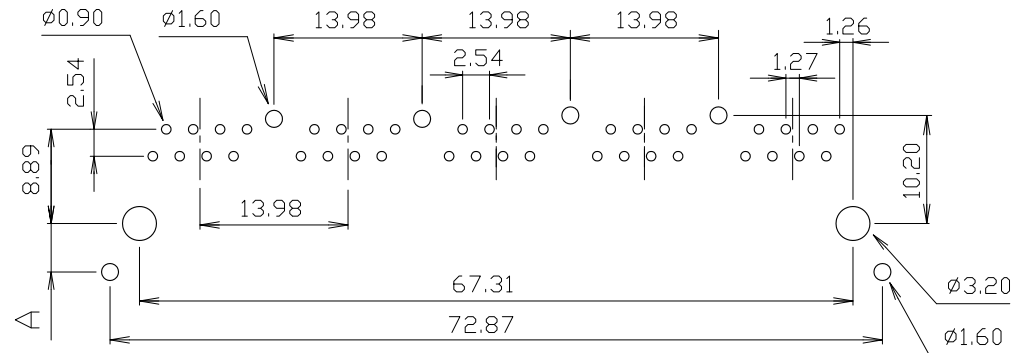
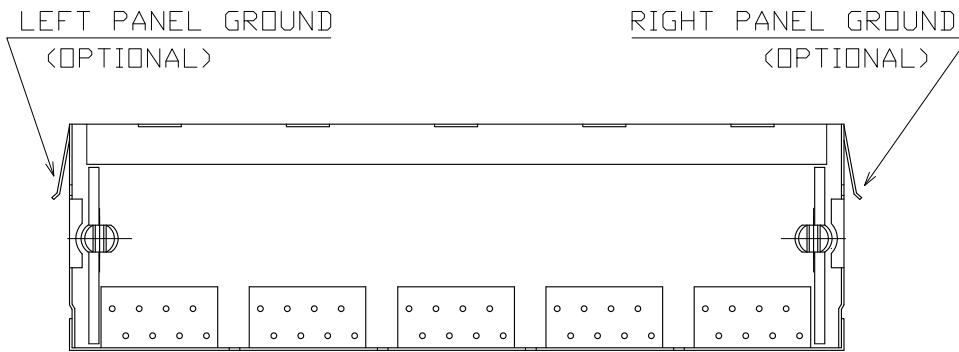


# RoHS Compliance



| REVISIONS |               |           |       |
|-----------|---------------|-----------|-------|
| LTR       | DESCRIPTION   | DATE      | APP   |
| △         | CAR 2.80±0.25 | 01/17/'08 | CHANG |



|                      |                                   |                                       |   |                    |                    |
|----------------------|-----------------------------------|---------------------------------------|---|--------------------|--------------------|
| DO NOT SCALE DRAWING | TOLERANCES UNLESS OTHERWISE NOTED | INCH                                  | MM  | DR.<br>CIAN.CI.LUO | DATE<br>DEC-21 '09 |
|                      | THIRD ANGLE PROJECTION            | 00 ± .01<br>000 ± .005<br>0000 ± .002 | 0.0 ± 0.25<br>0.00 ± 0.13<br>0.000 ± 0.05 | CK'D<br>M.CHANG    | DEC-21 '09         |
| MM<br>INCH           | ANGLE ± 0° 30'                    | RADII                                 | + 0.40<br>- 0.15                          | APP'D<br>W.J.YANG  | DEC-22 '09         |

|  |      |         |      |       |  |
|--|------|---------|------|-------|--|
| 淮洋有限公司 HUI YANG CO.,LTD.<br>TEL : 886-2-8261-8986 FAX : 886-2-8261-1885<br>www.hy1688.com.tw 236新北市土城區中央路二段191號10樓之5 |      |         |      |       |  |
| TITLE 5PORTS, 8POSITION, SHIELDED<br>FLAT PIN, SIDE ENTRY PCB GANGED JACK  |      |         |      |       |  |
| SCALE  | SIZE | DWG.NO. | REV. | SHEET |  |
|  |      | 965814  | 3    | 1     |  |