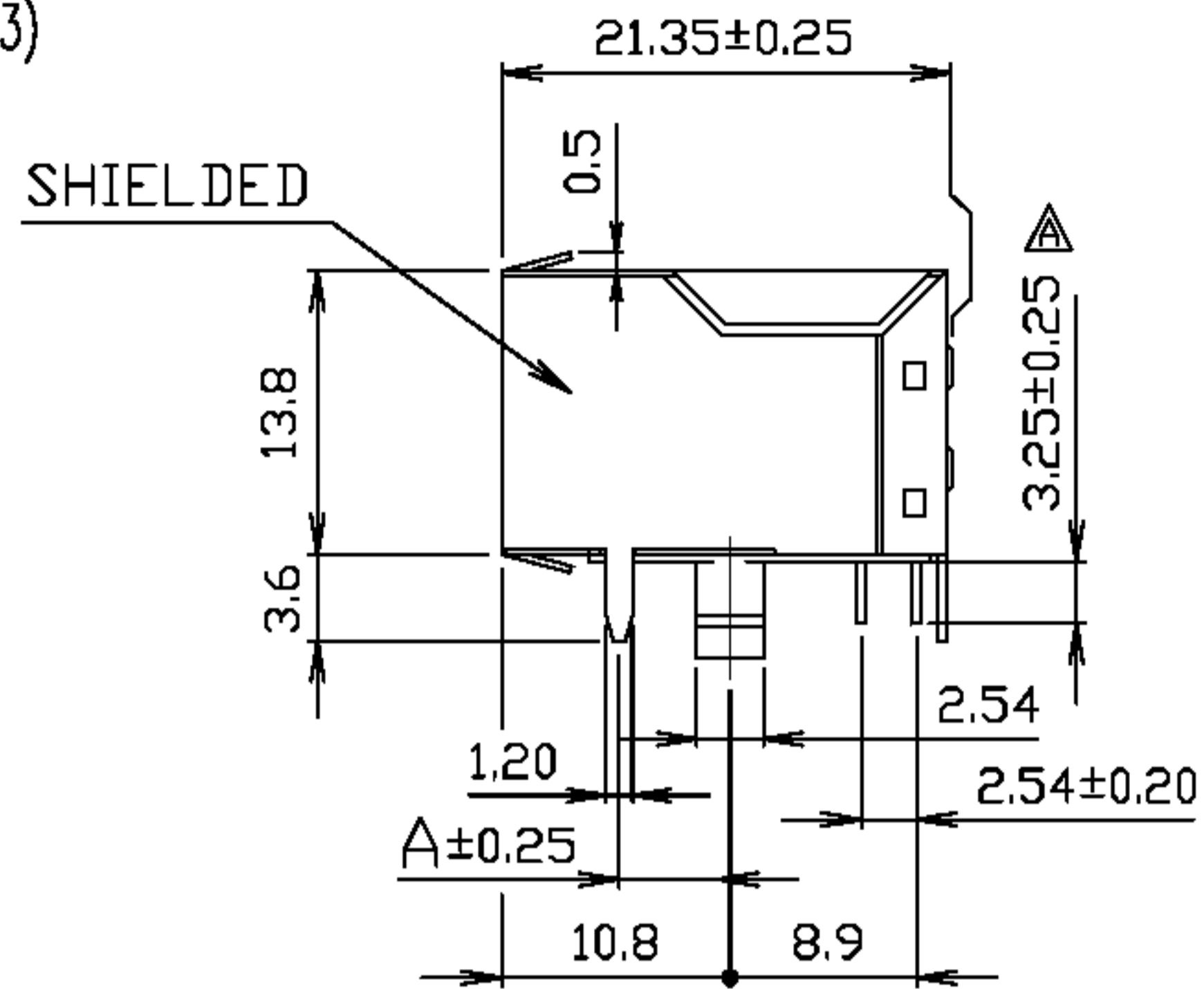
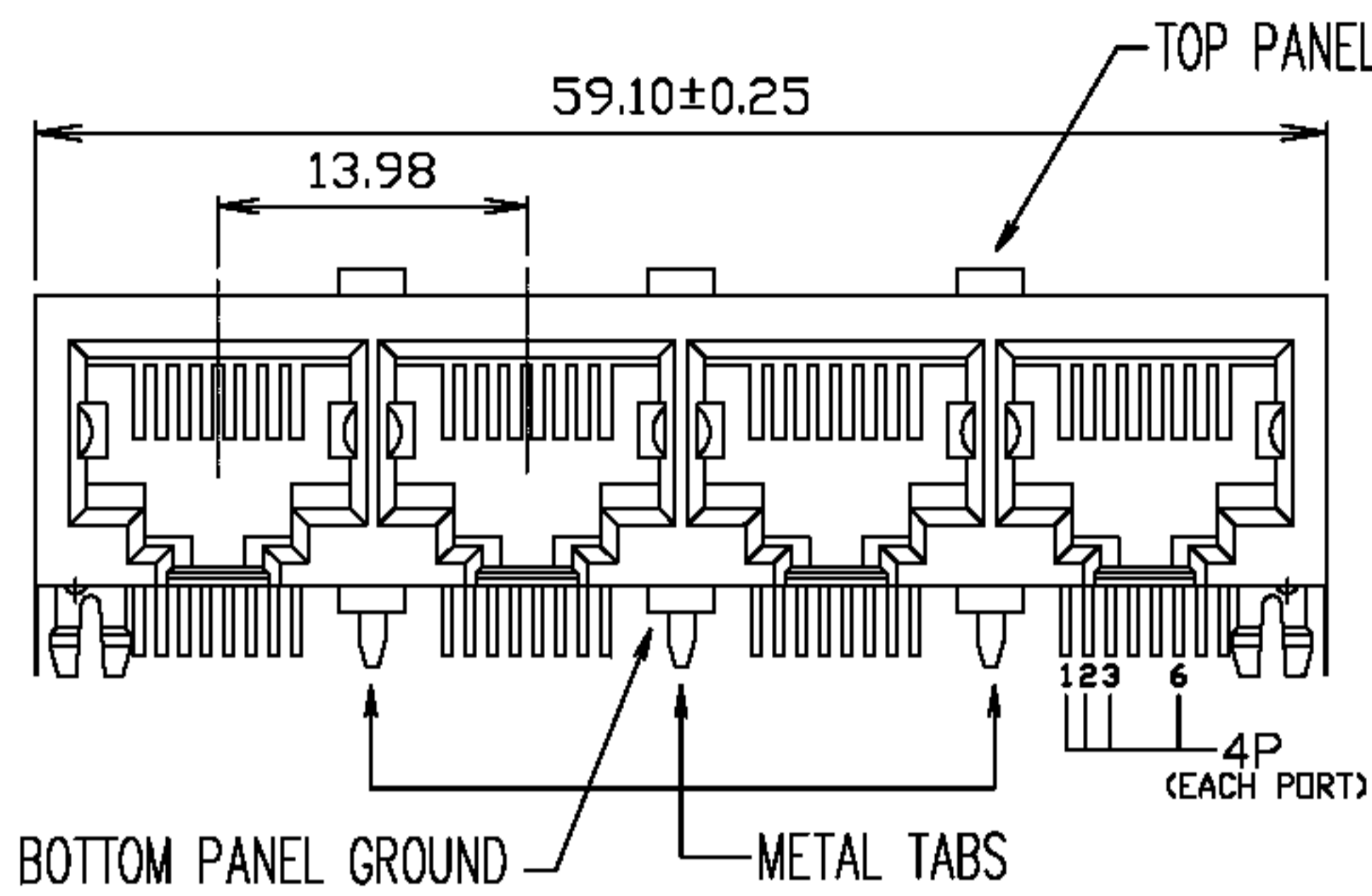
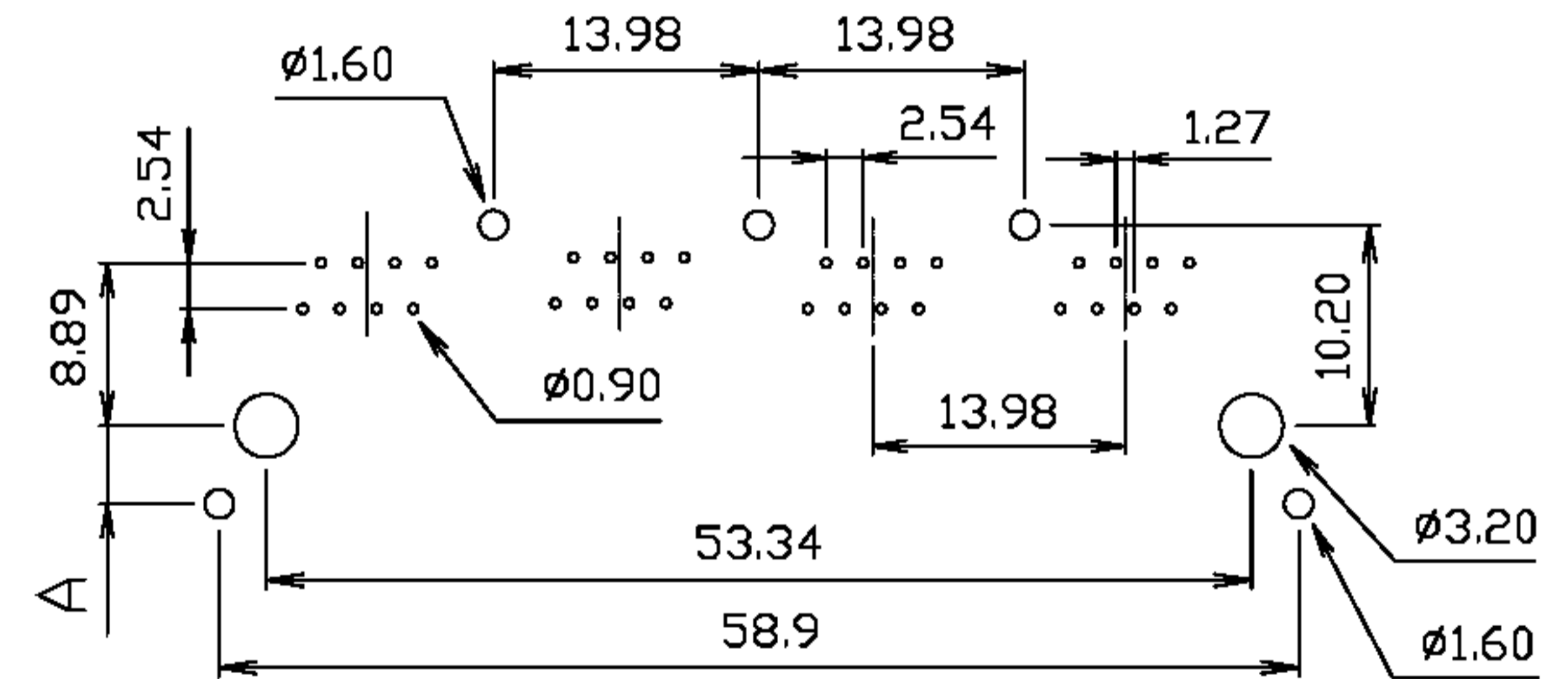
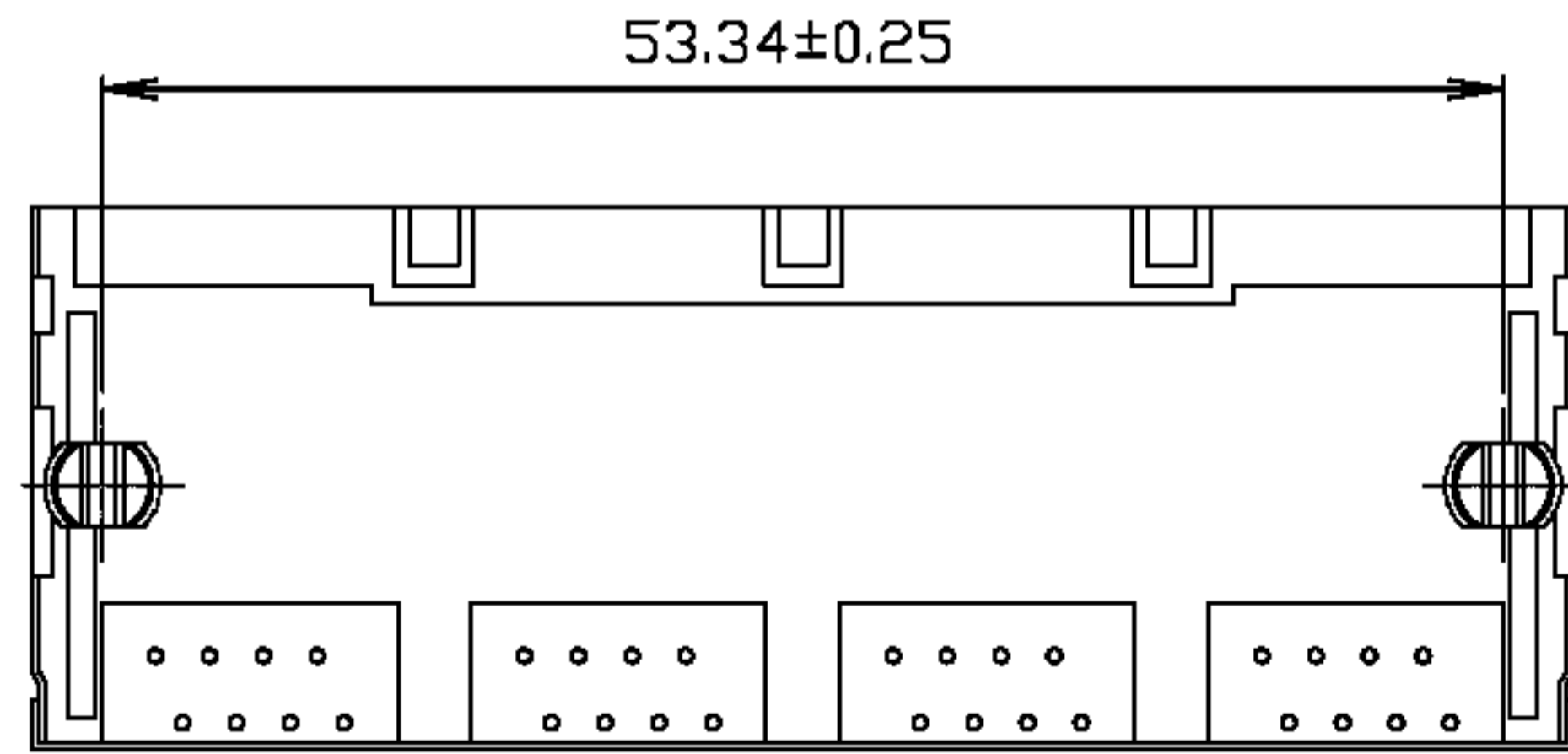


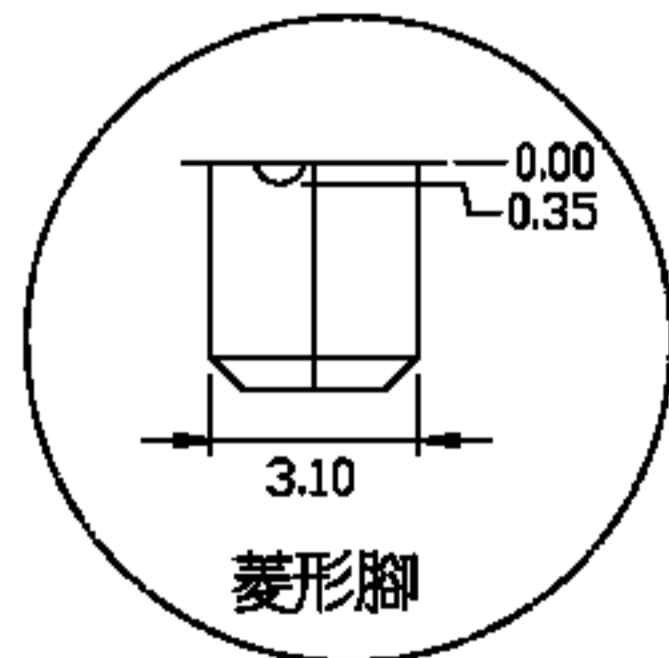
RoHS Compliance



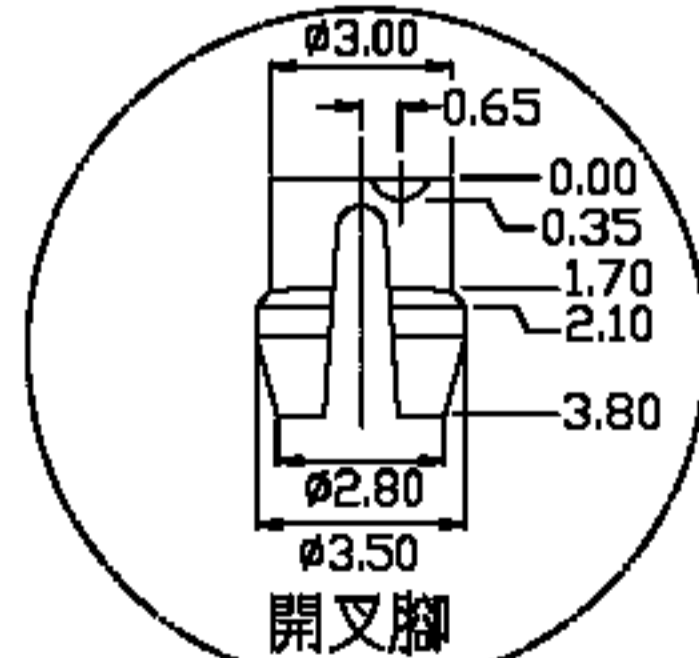
REVISIONS			
LTR	DESCRIPTION	DATE	APP
△	CAR 2.80±0.25	01/17/'08	CHANG



PC Board Layout
Ref.



DIAMOND PEGS



SPLIT-PEGS

DO NOT SCALE DRAWING	TOLERANCES UNLESS OTHERWISE NOTED	INCH	MM	DR. CIAN.CI.LUO	DATE JAN-17 '08
THIRD ANGLE PROJECTION	LINEAR MM INCH	00 ± .01 000 ± .005 0000 ± .002	0.0 ± 0.25 0.00 ± 0.13 0.000 ± 0.05	CK'D M.CHANG	JAN-17 '08
MM INCH	ANGLE ± 0° 30'	RADII	+ 0.40 - 0.15	APP'D W.J.YANG	JAN-18 '08

淮洋有限公司 HUIYANG CO., LTD.

TEL : 886-2-8261-8986 FAX : 886-2-8261-1885
www.hy1688.com.tw 236新北市土城區中央路二段191號10樓之5

TITLE 4 PORTS 8POSITION SHIELDED
FLAT PIN SIDE ENTRY PCB GANGED JACK

SCALE	SIZE	DWG.NO.	REV.	SHEET
		965805	2	1