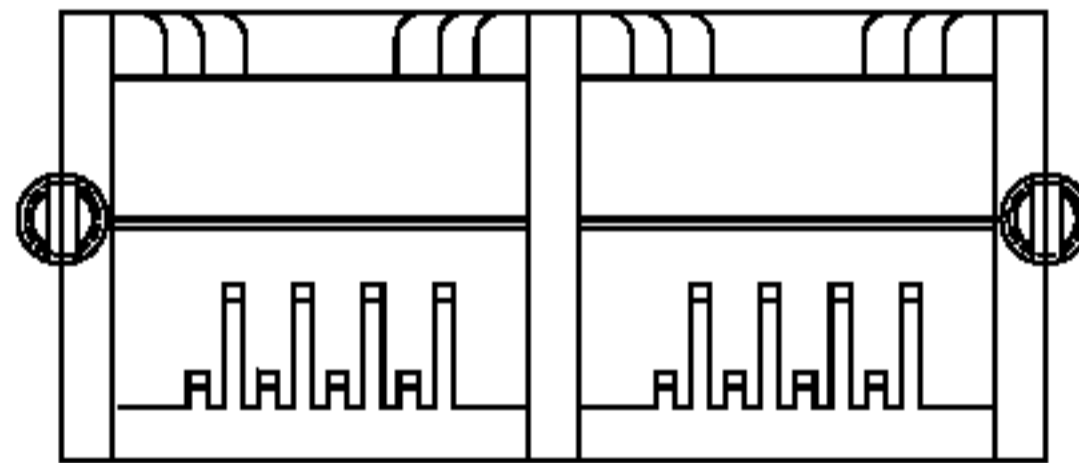
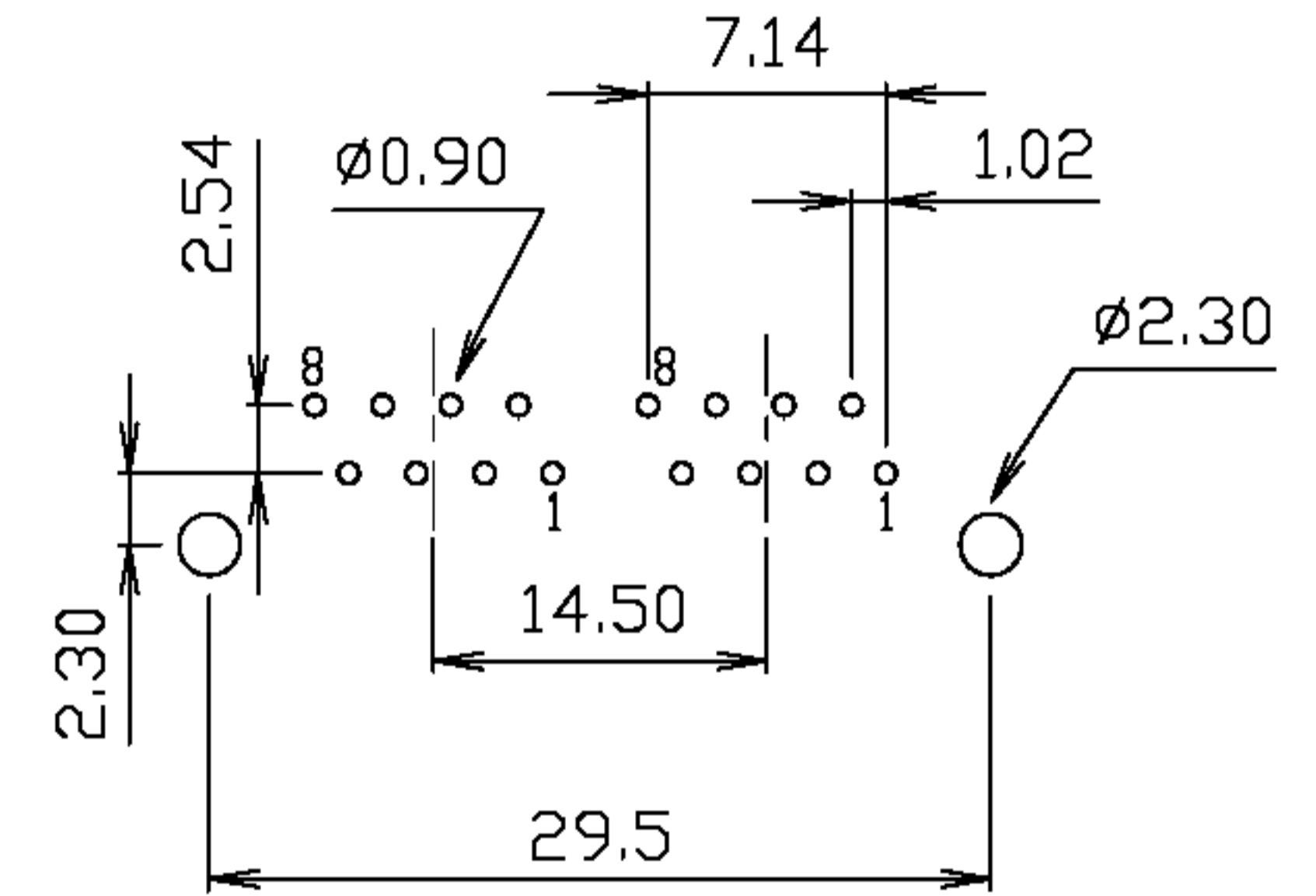
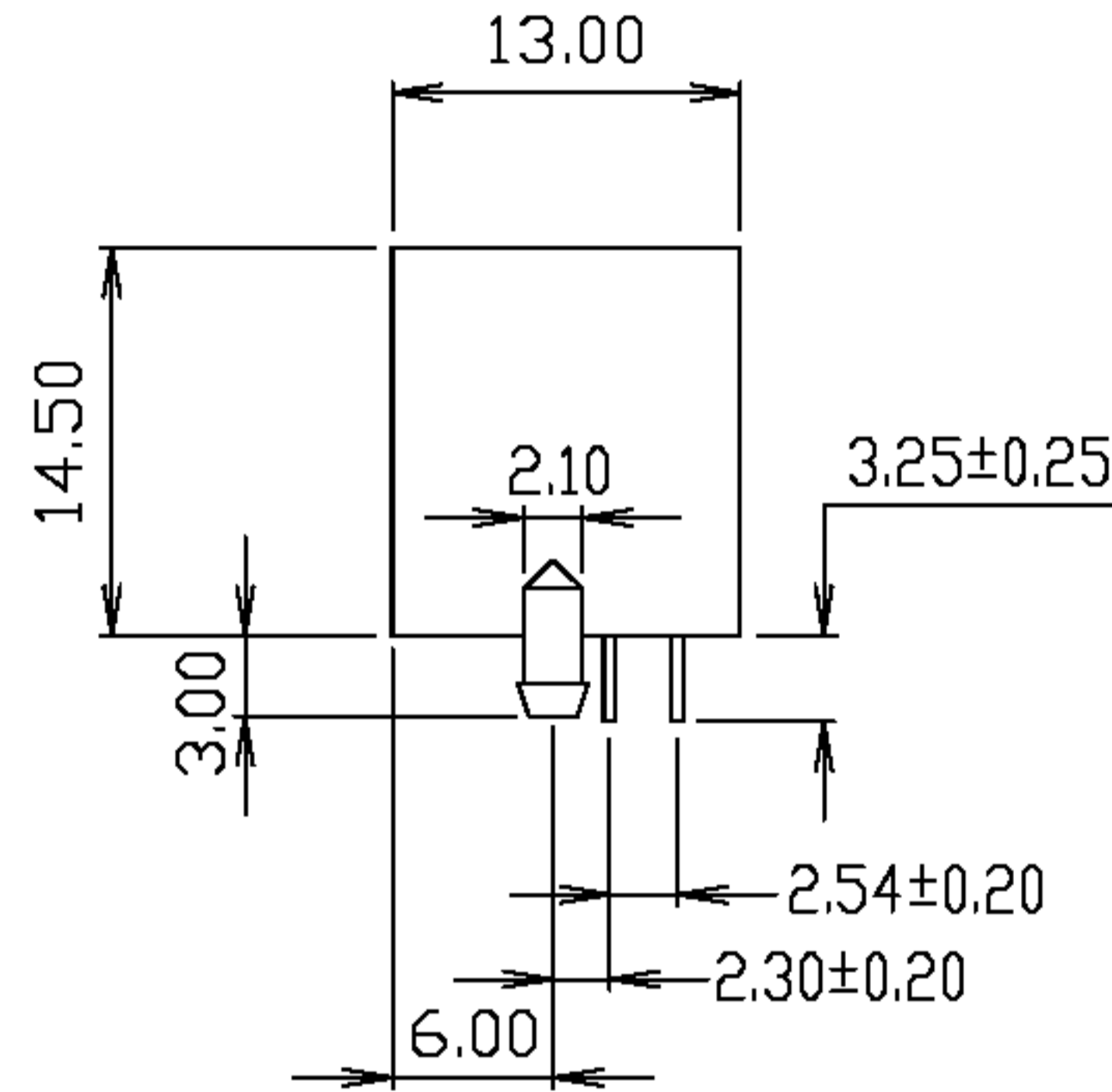
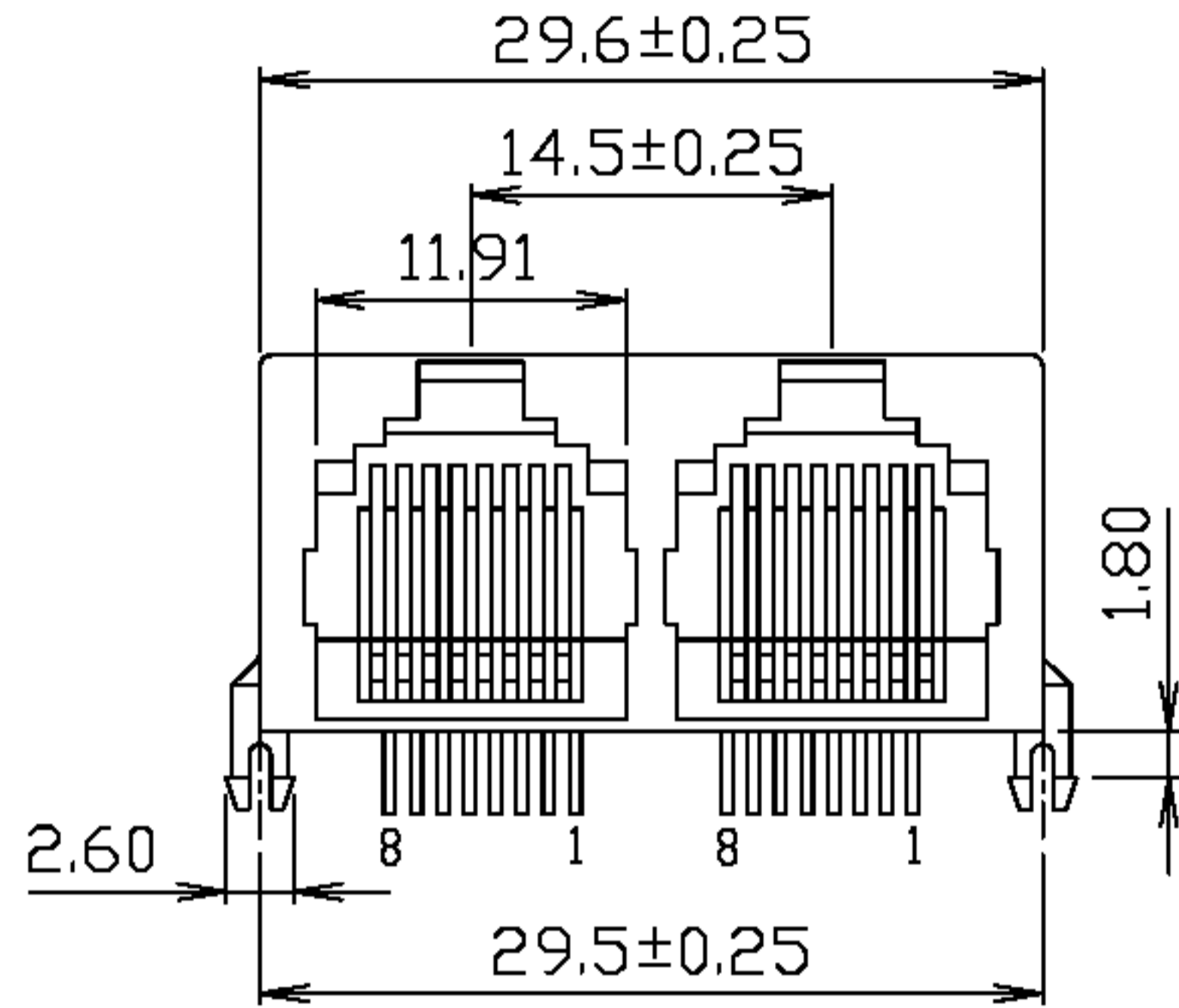


RoHS Compliance



淮洋有限公司 HUI YANG CO., LTD.
 TEL : 886-2-8261-8986 FAX : 886-2-8261-1885
 www.hy1688.com.tw 236新北市土城區中央路二段191號10樓之5

DO NOT SCALE DRAWING	TOLERANCES UNLESS OTHERWISE NOTED	INCH	MM	DR. <i>M.L.HUANG</i>	DATE NOV-03 '08	TITLE RJ45, GANGED, MINI LOW PROFILE SIDE ENTRY PCB JACK, FROM 2PORTS UP				
THIRD ANGLE PROJECTION	LINEAR MM INCH	00 ± .01 000 ± .005 0000 ± .002	0.0 ± 0.25 0.00 ± 0.13 0.000 ± 0.05	CK'D <i>M.CHANG</i>	NOV-03 '08	SCALE	SIZE	DWG.NO. 965008	REV. 1	SHEET 1
MM INCH	ANGLE ± 0° 30'	RADII	+ 0.40 - 0.15	APP'D <i>W.J.YANG</i>	NOV-03 '08					