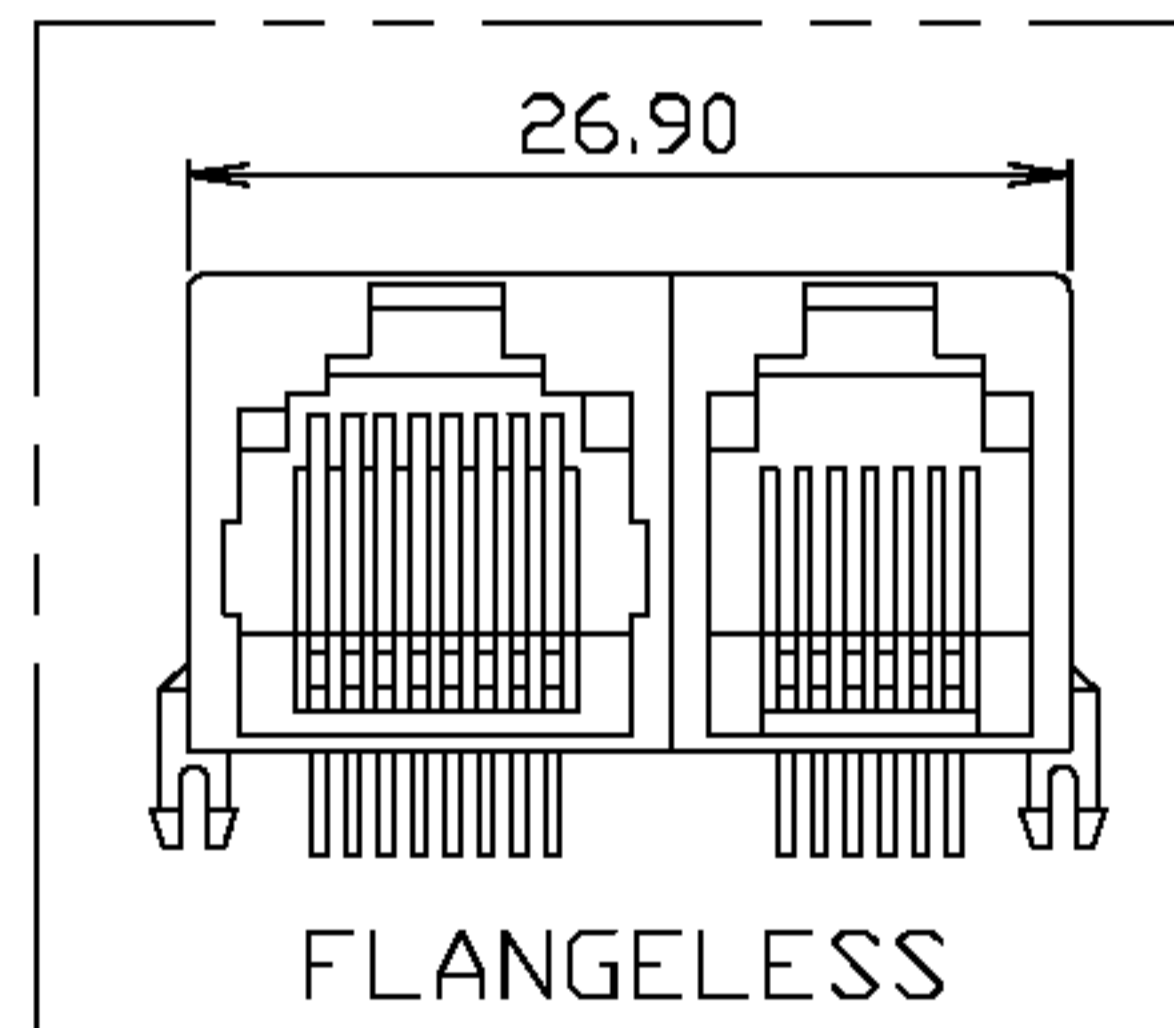
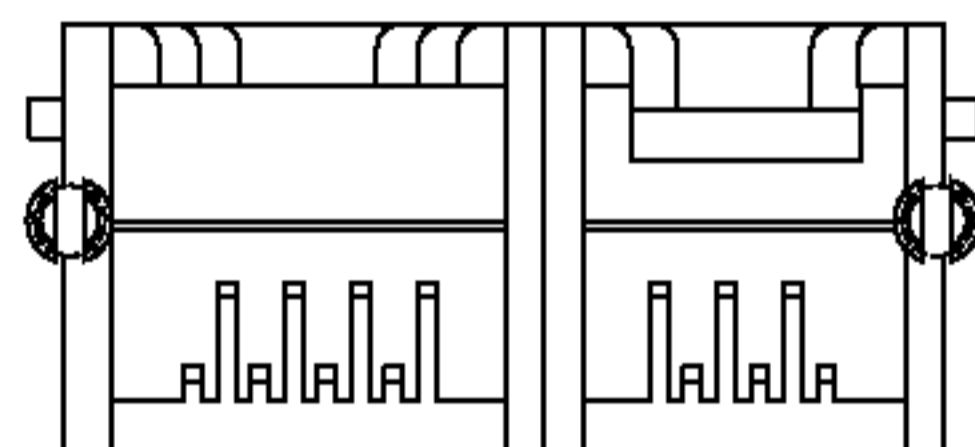


PCB LAYOUT
Ref.



FLANGELESS

淮洋有限公司 HUI YANG CO., LTD.

TEL : 886-2-8261-8986 FAX : 886-2-8261-1885
www.hy1688.com.tw 236新北市土城區中央路二段191號10樓之5

DO NOT SCALE
DRAWING

TOLERANCES UNLESS
OTHERWISE NOTED

INCH

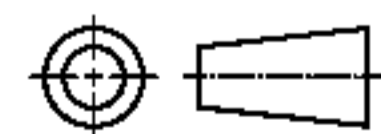
MM

DR.

H.W.CHAN

DATE

OCT-17 '07



THIRD ANGLE PROJECTION

LINEAR

MM
INCH

00 ± .01
000 ± .005
0000 ± .002

0.0 ± 0.25
0.00 ± 0.13
0.000 ± 0.05

CK'D

M.CHANG

OCT-17 '07

MM
INCH

ANGLE ± 0° 30'

RADII

+ 0.40
- 0.15

APP'D

W.J.YANG

OCT-18 '07

TITLE RJ45 & RJ11 GANGED MINI LOW PROFILE
SIDE ENTRY PCB JACK

SCALE SIZE DWG.NO.

965004

REV.

5

SHEET

1