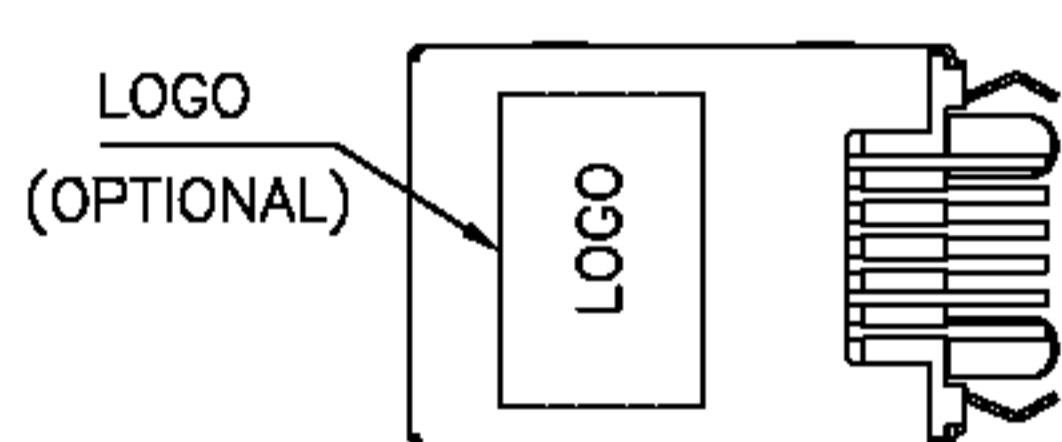
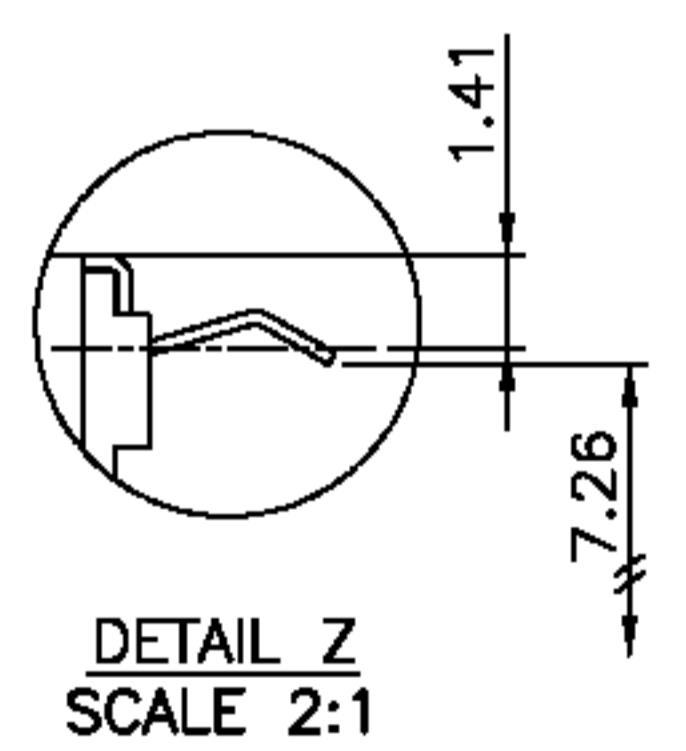
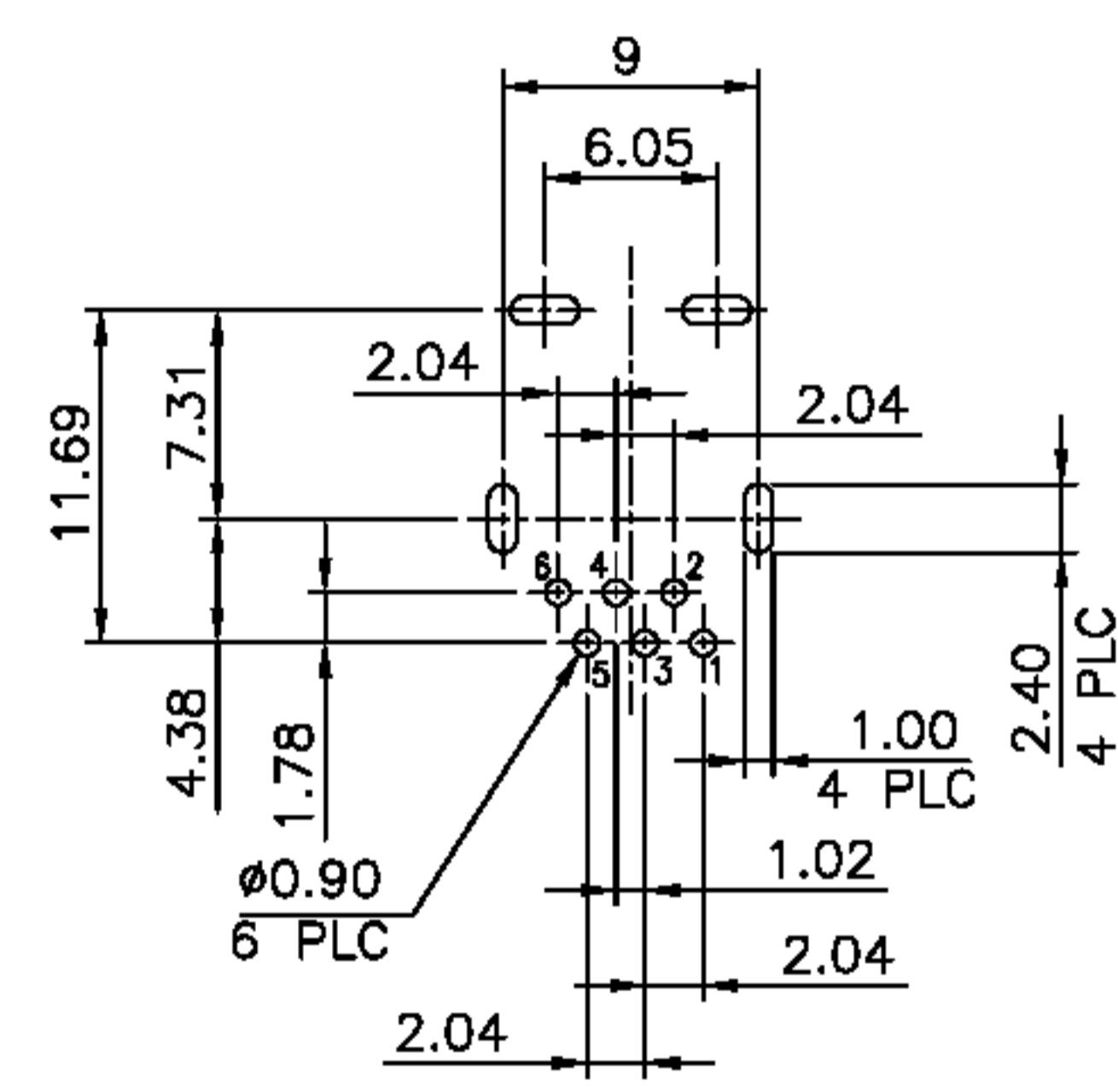
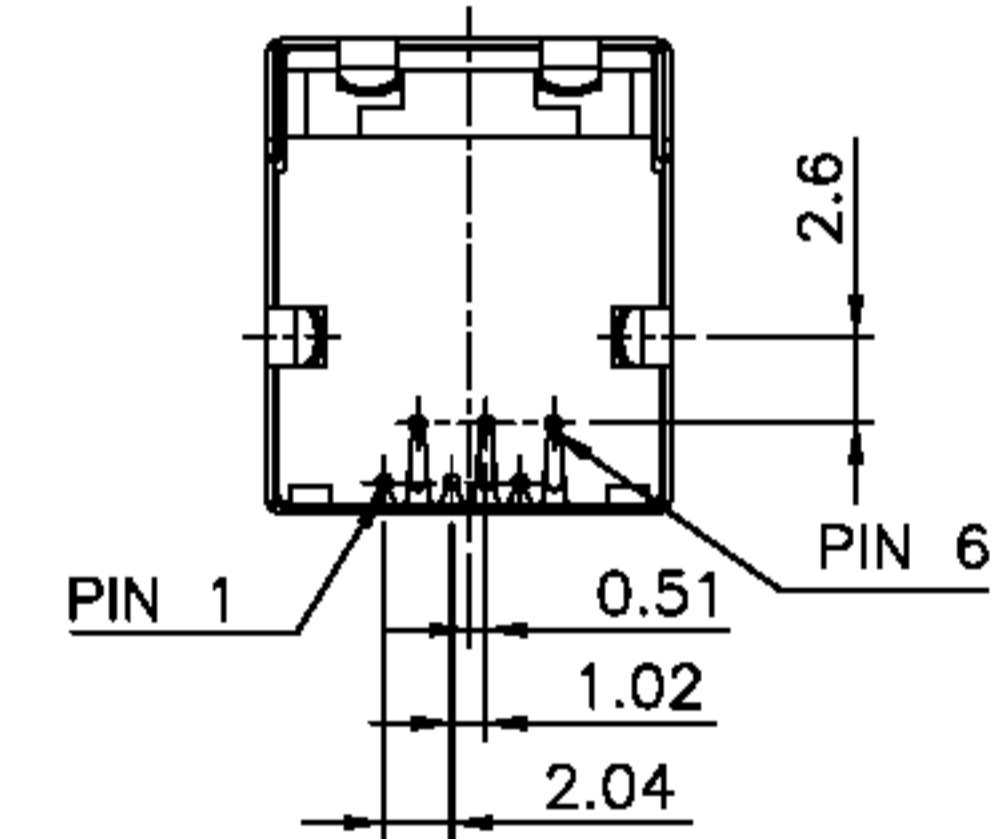
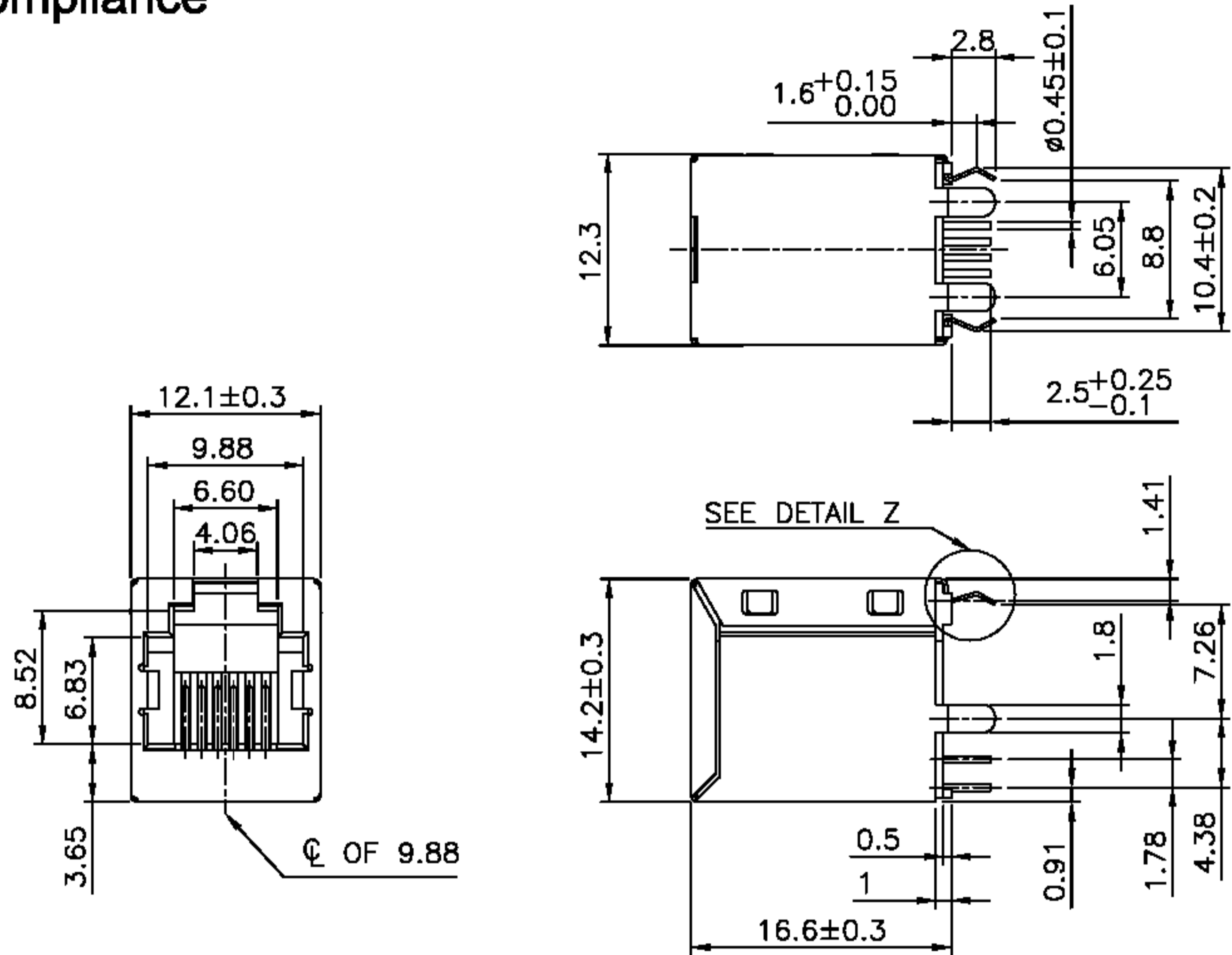


RoHS Compliance



DO NOT SCALE DRAWING	TOLERANCES UNLESS OTHERWISE NOTED	INCH	MM	DR. <i>CIAN.CI.LOU</i>	DATE DEC-08 '09	淮洋有限公司 HUI YANG CO., LTD. TEL : 886-2-8261-8986 FAX : 886-2-8261-1885 www.hy1688.com.tw 236新北市土城區中央路二段191號10樓之5				
THIRD ANGLE PROJECTION	LINEAR	MM INCH	00 \pm .01 000 \pm .005 0000 \pm .002	0.0 \pm 0.30 0.00 \pm 0.20 0.000 \pm 0.10	CK'D <i>M.CHANG</i>	DEC-08 '09	TITLE NETWORK JACK 6P			
MM INCH	ANGLE $\pm 0^{\circ} 30'$	RADII	± 0.40 -0.15	APP'D <i>W.J.YANG</i>	DEC-09 '09	SCALE	SIZE	DWG.NO. 964708	REV. 2	SHEET 1