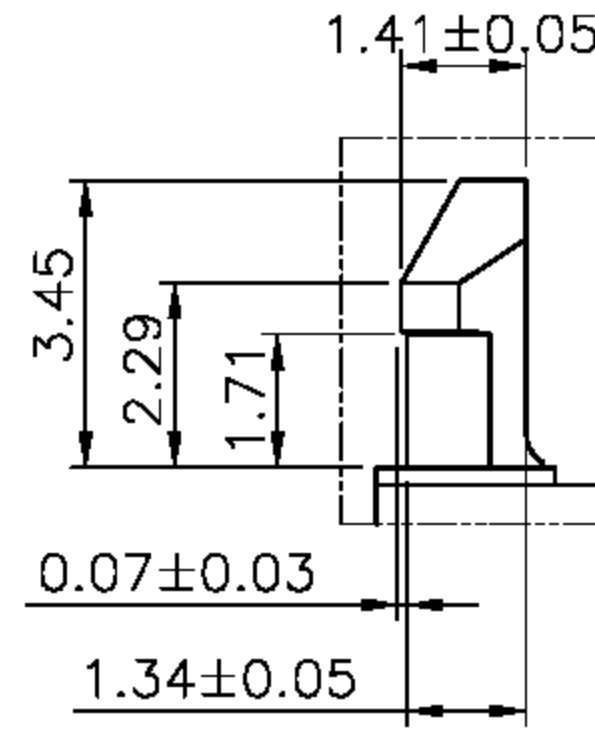
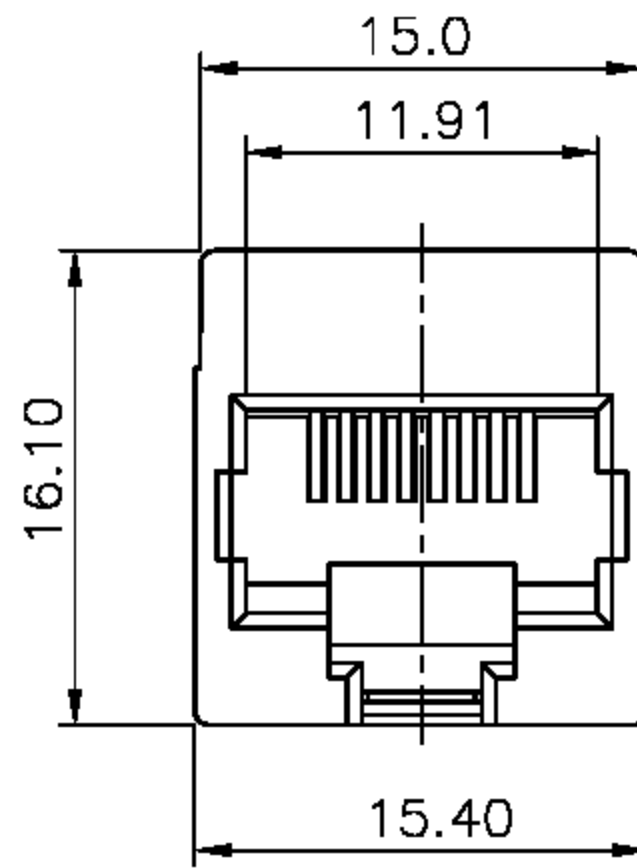
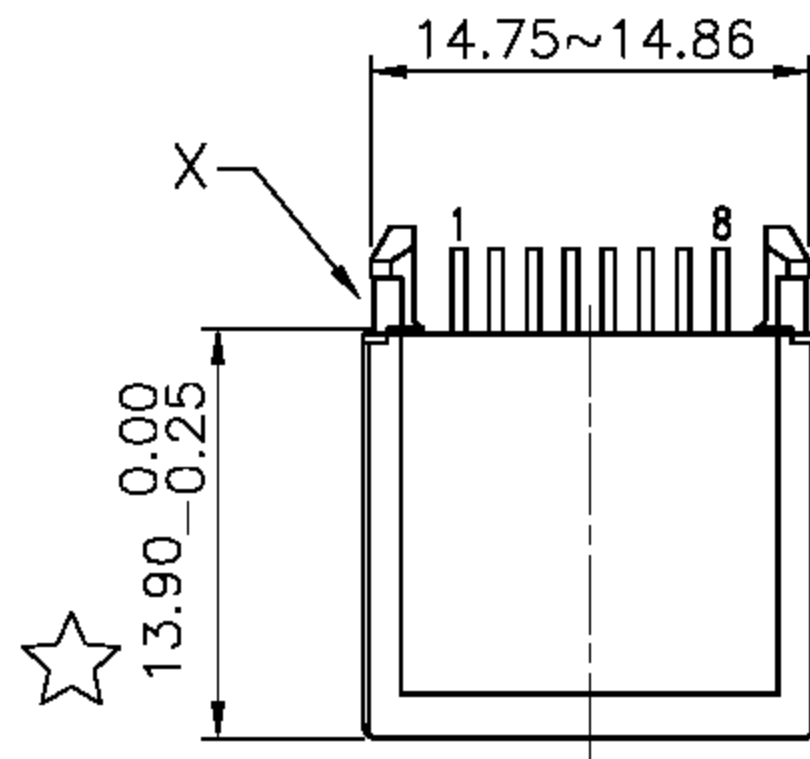
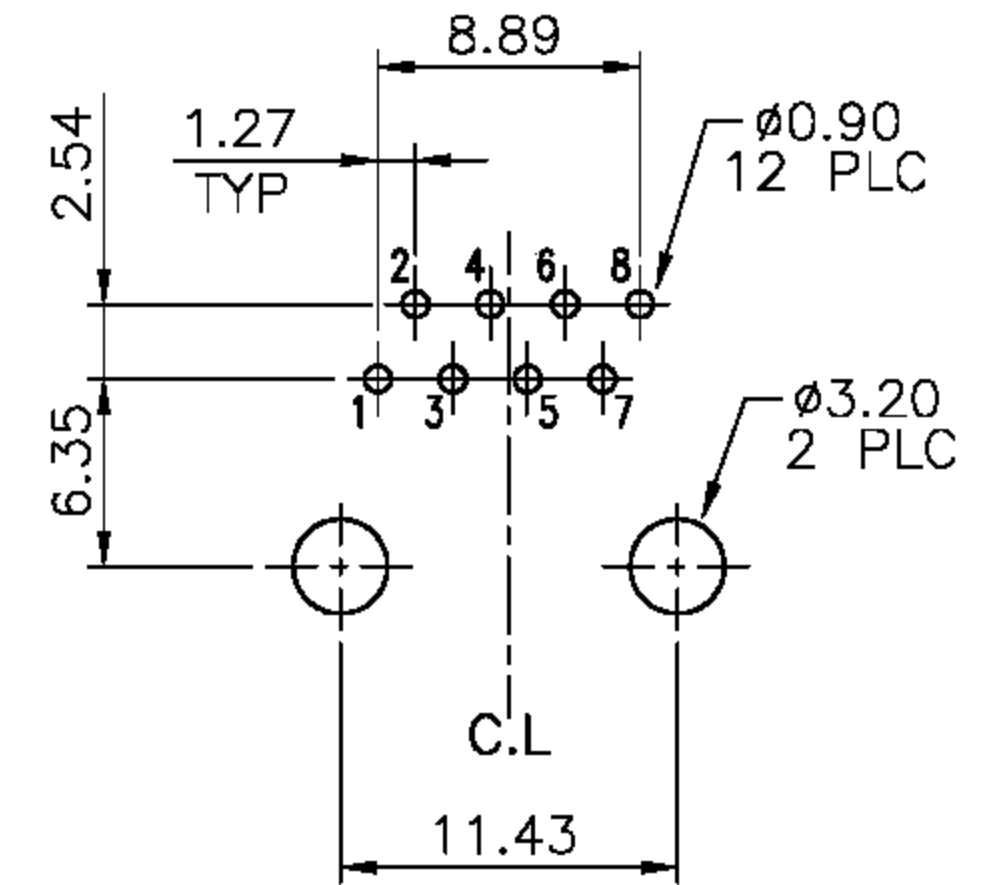
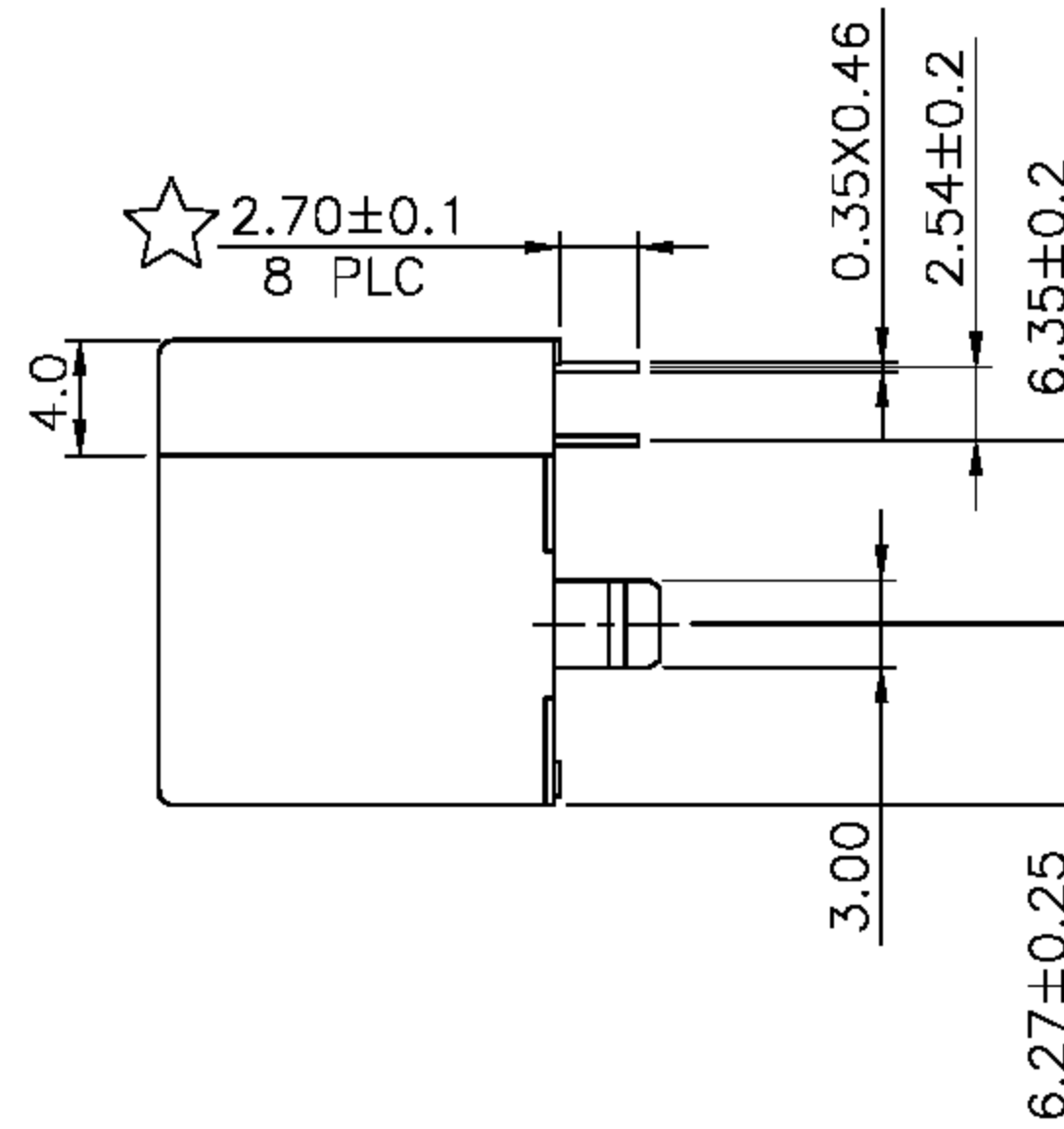


RoHS Compliance



DETAIL X



PCB LAYOUT (TOP VIEW)
RECOMMENDED

DO NOT SCALE DRAWING	TOLERANCES UNLESS OTHERWISE NOTED	INCH	MM	DR. <i>M.L.HUANG</i>	DATE JUN-09 '11	淮洋有限公司 HUI YANG CO., LTD. TEL : 886-2-8261-8986 FAX : 886-2-8261-1885 www.hy1688.com.tw 236 新北市土城區中央路二段191號10樓之5				
THIRD ANGLE PROJECTION	LINEAR $\frac{\text{MM}}{\text{INCH}}$	$00 \pm$ $000 \pm$ $0000 \pm$	0.0 ± 0.25 0.00 ± 0.13 0.000 ± 0.05	CK'D <i>M.CHANG</i>	JUN-09 '11	TITLE RJ45, SHIELDLESS FLAT PIN, TOP ENTRY PCB JACK				
MM INCH	ANGLE $\pm 0^{\circ} 30'$	RADII	$+0.40$ -0.15	APP'D <i>W.J.YANG</i>	JUN-10 '11	SCALE	SIZE	DWG.NO. 964616	REV. 1	SHEET 1