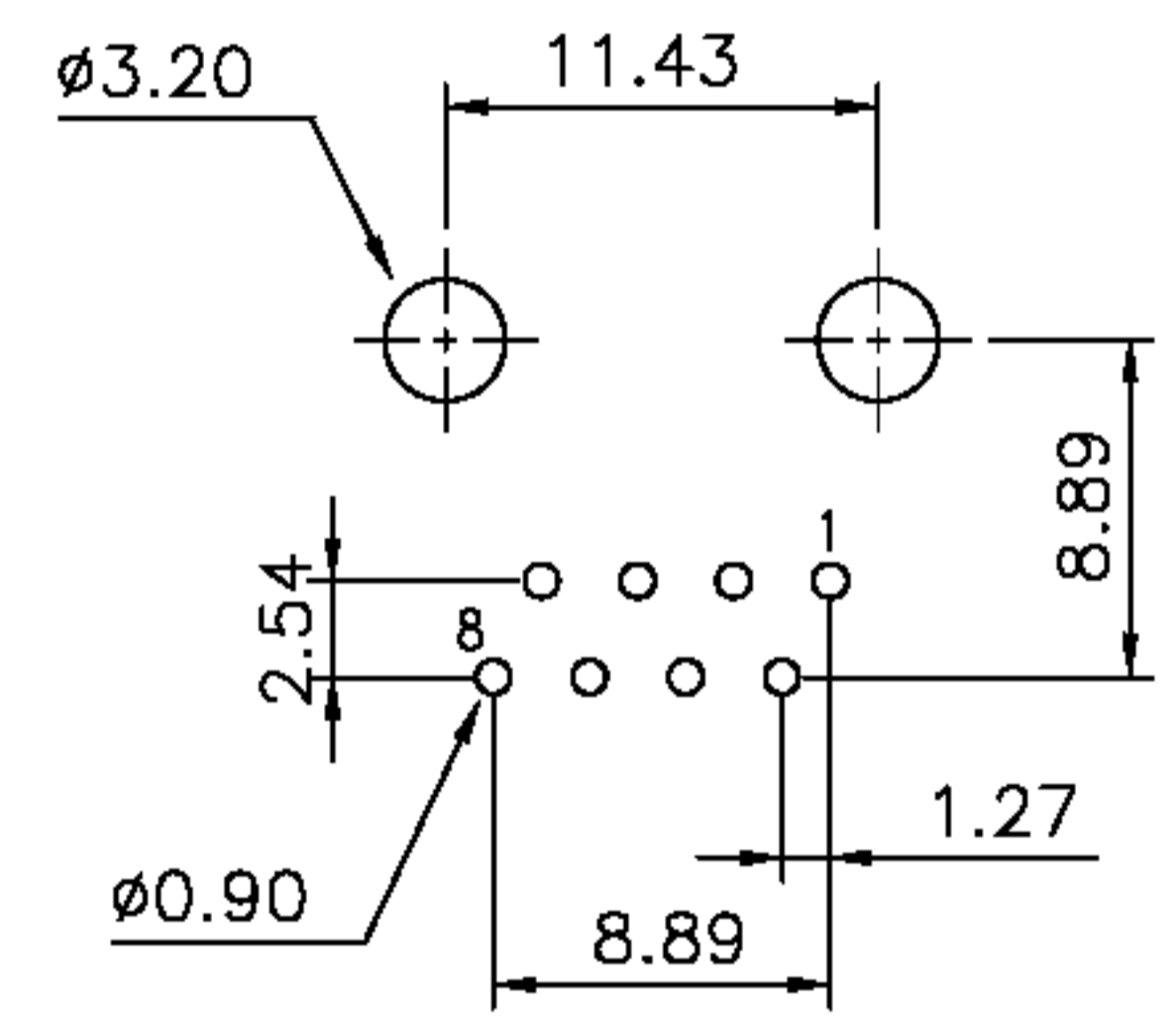
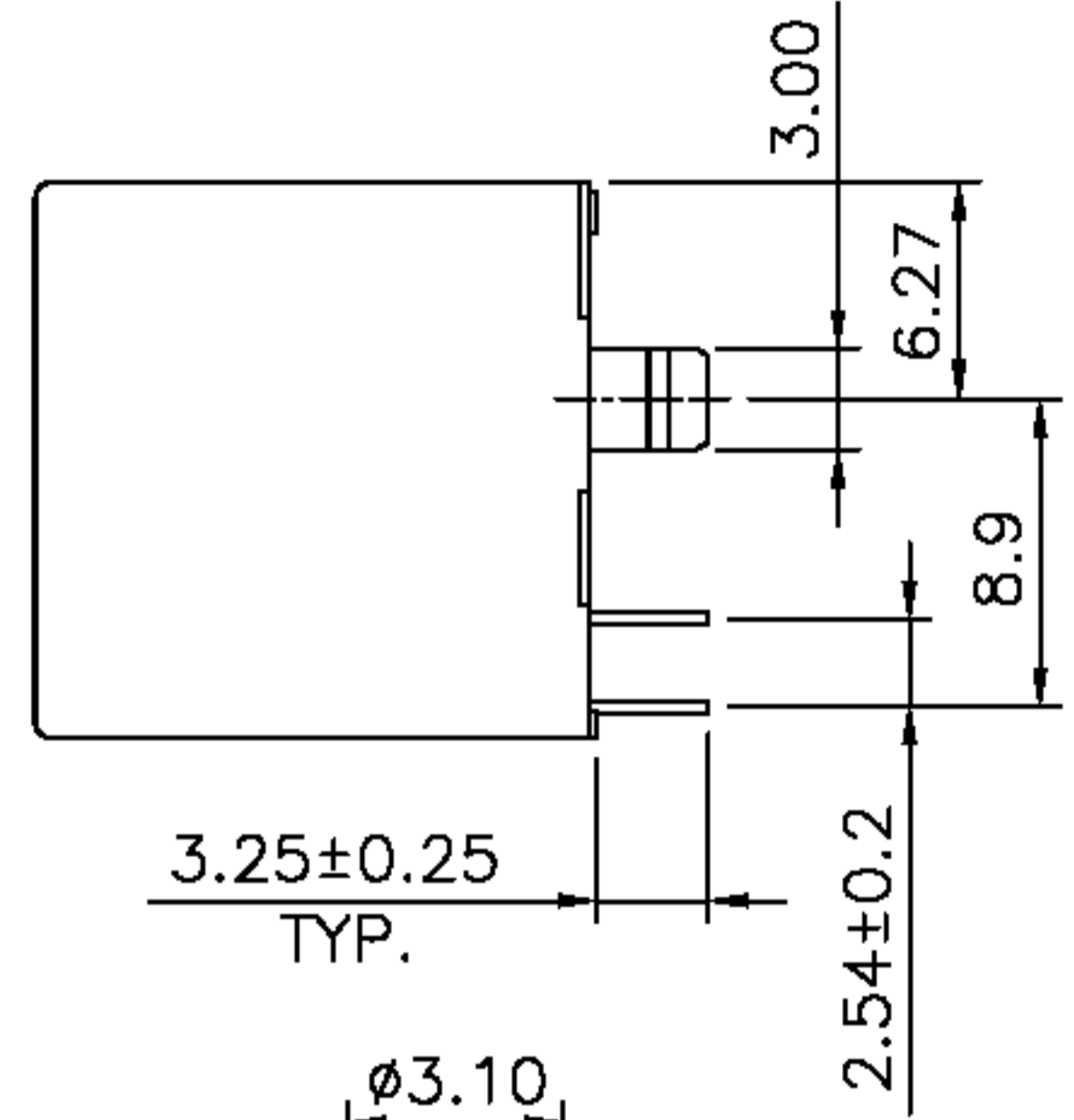
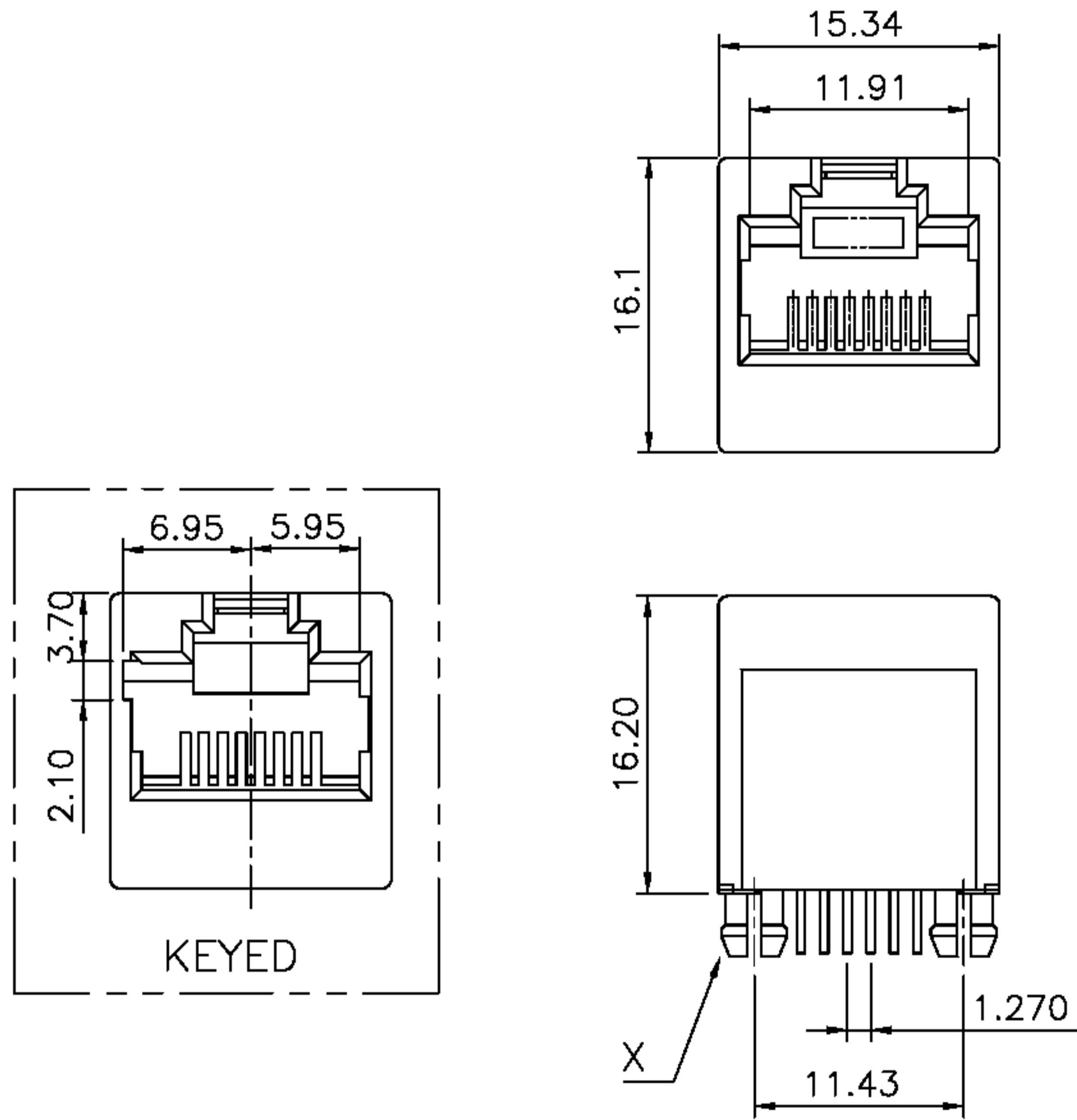


RoHS Compliance



淮洋有限公司 HUI YANG CO., LTD.
 TEL : 886-2-8261-8986 FAX : 886-2-8261-1885
 www.hy1688.com.tw 236新北市土城區中央路二段191號10樓之5

DO NOT SCALE DRAWING	TOLERANCES UNLESS OTHERWISE NOTED	INCH	MM	DR. <i>CIAN.CI.LUO</i>	DATE APR-28 '09
THIRD ANGLE PROJECTION	LINEAR	$\frac{MM}{INCH}$	$00 \pm .01$ $000 \pm .005$ $0000 \pm .002$	CK'D <i>M.CHANG</i>	APR-28 '09
MM INCH	ANGLE $\pm 0^\circ 30'$	RADII	± 0.40 $- 0.15$	APP'D <i>W.J.YANG</i>	APR-29 '09

TITLE		RJ45, FLAT PIN TOP ENTRY PCB JACK		
SCALE	SIZE	DWG.NO.	REV.	SHEET
		964601	8	1