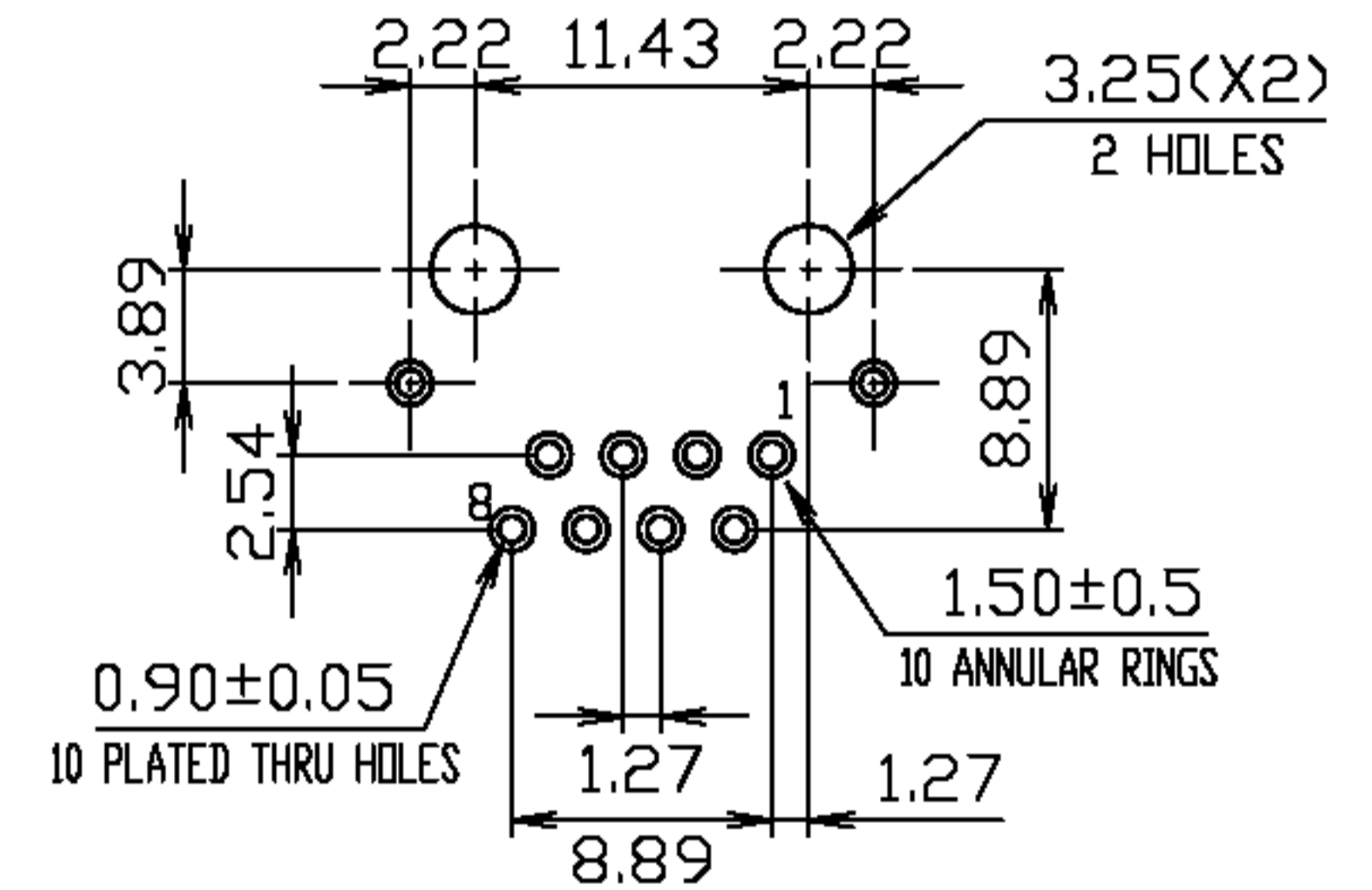
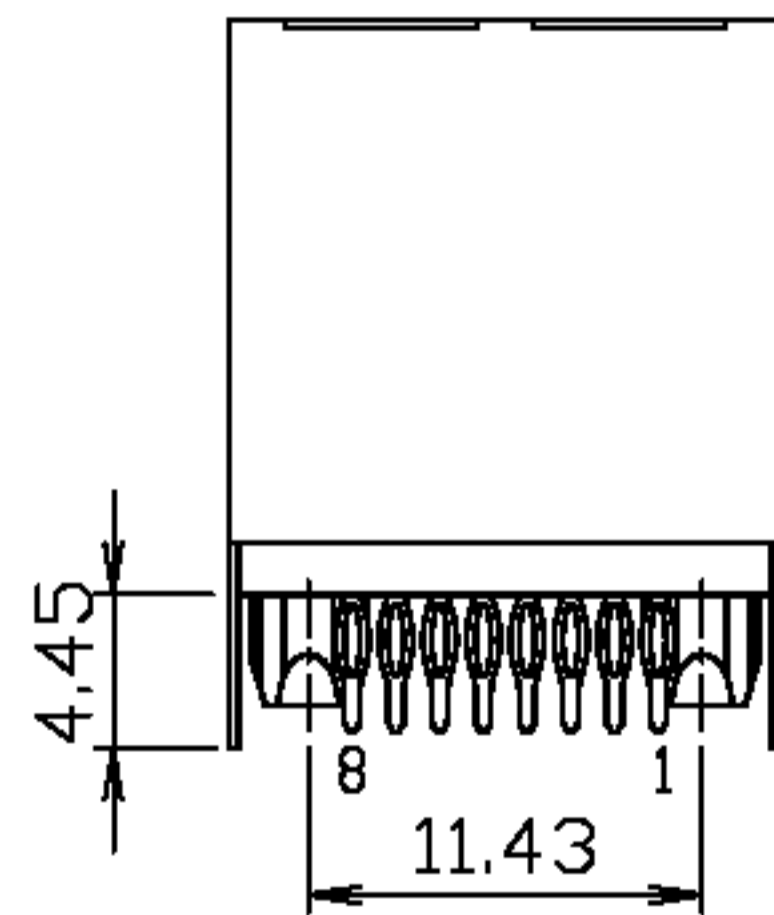
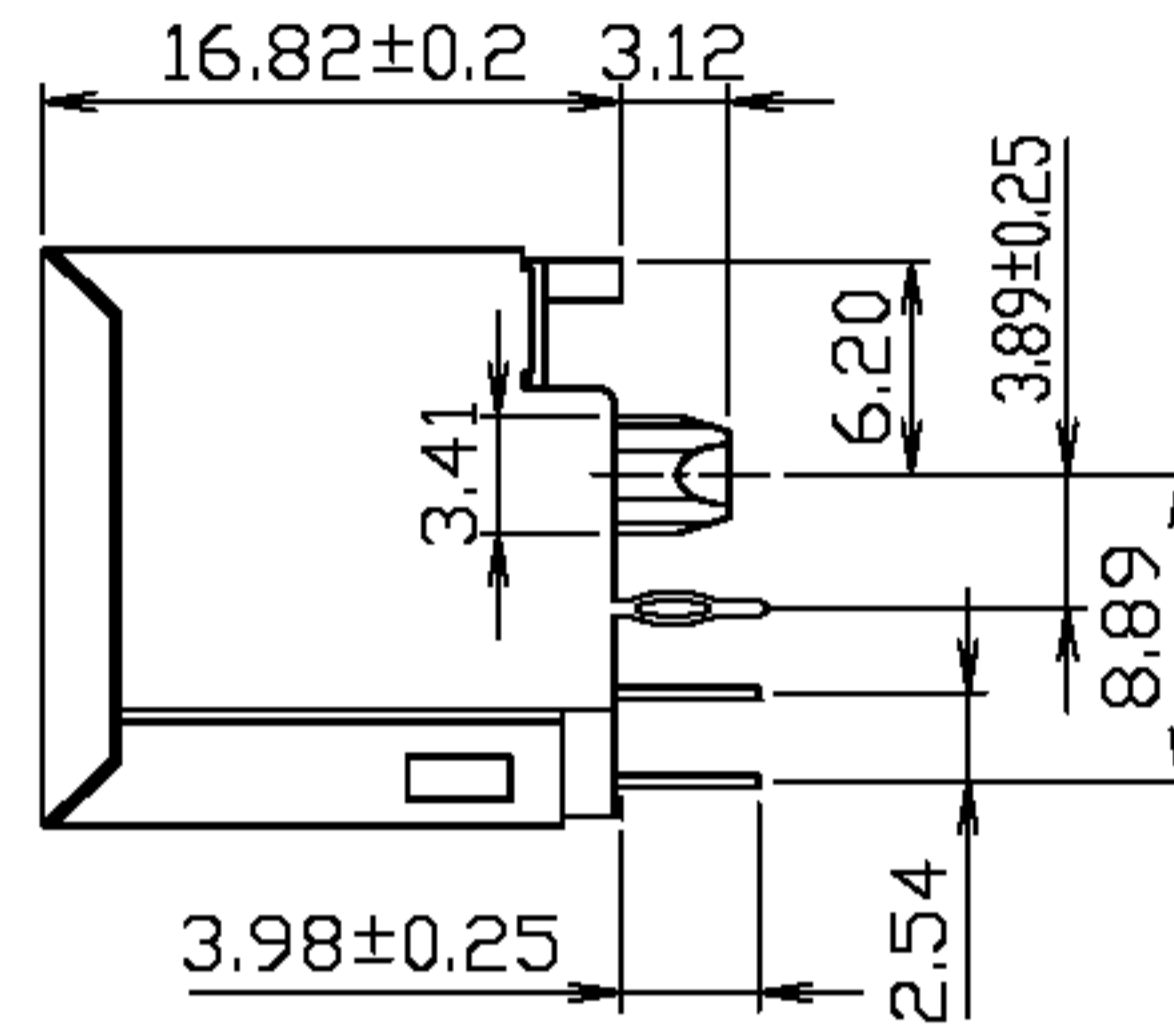
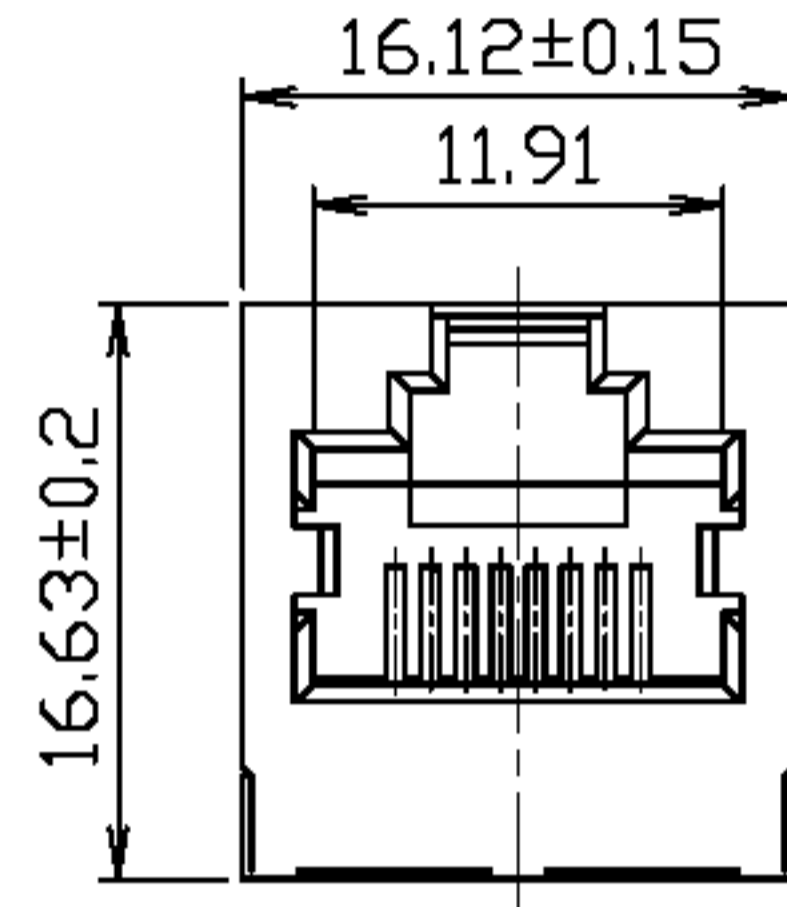


RoHS Compliance



PC Board Layout
REF.

淮洋有限公司 HUI YANG CO., LTD.
 TEL: 886-2-8261-8986 FAX: 886-2-8261-1885
 www.hy1688.com.tw 236新北市土城區中央路二段191號10樓之5

DO NOT SCALE DRAWING	TOLERANCES UNLESS OTHERWISE NOTED	INCH	MM	DR. <i>CIAN.CI.LUO</i>	DATE MAR-19 '08					
THIRD ANGLE PROJECTION	LINEAR	$00 \pm .01$ $000 \pm .005$ $0000 \pm .002$	0.0 ± 0.25 0.00 ± 0.13 0.000 ± 0.05	CK'D <i>M.CHANG</i>	MAR-19 '08	TITLE 8POSITION PRESS FIT SHIELDED TOP ENTRY PCB JACK				
MM INCH	ANGLE $\pm 0^\circ 30'$	RADII	$+ 0.40$ $- 0.15$	APP'D <i>W.J.YANG</i>	MAR-20 '08	SCALE	SIZE	DWG.NO. 964501	REV. 2	SHEET 1