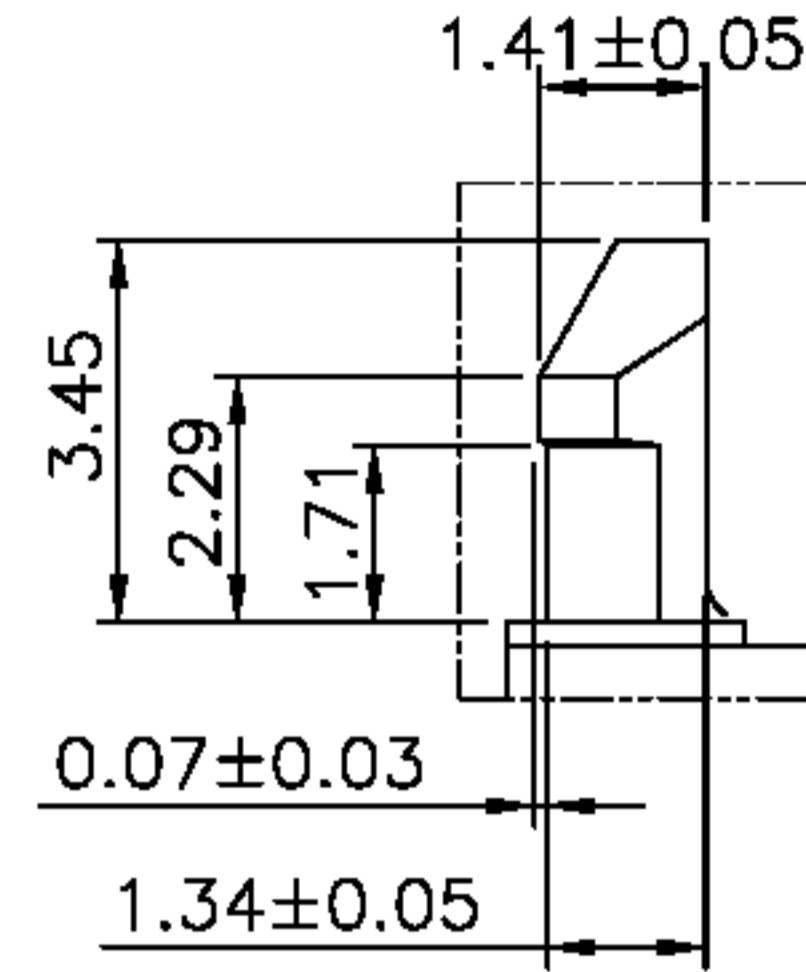
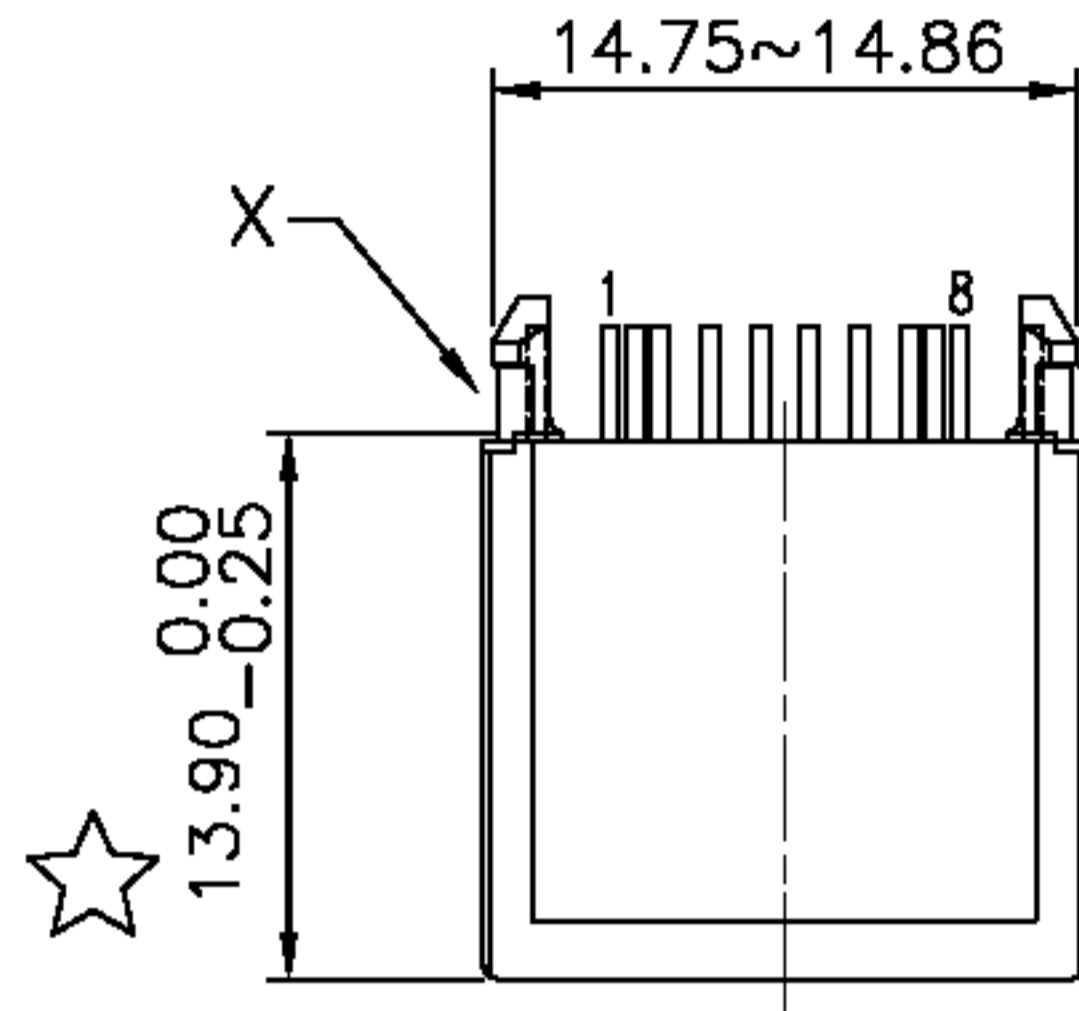
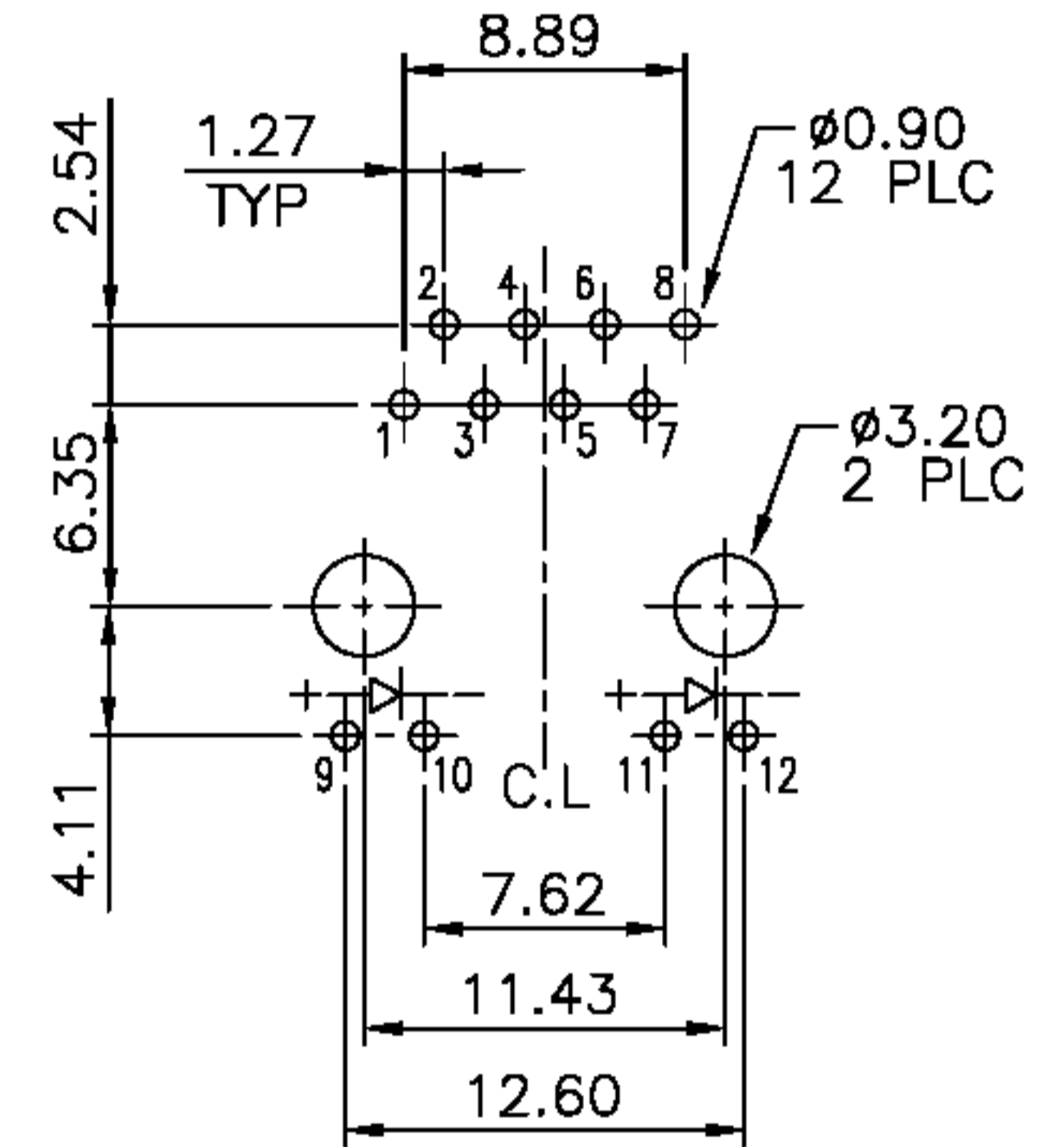
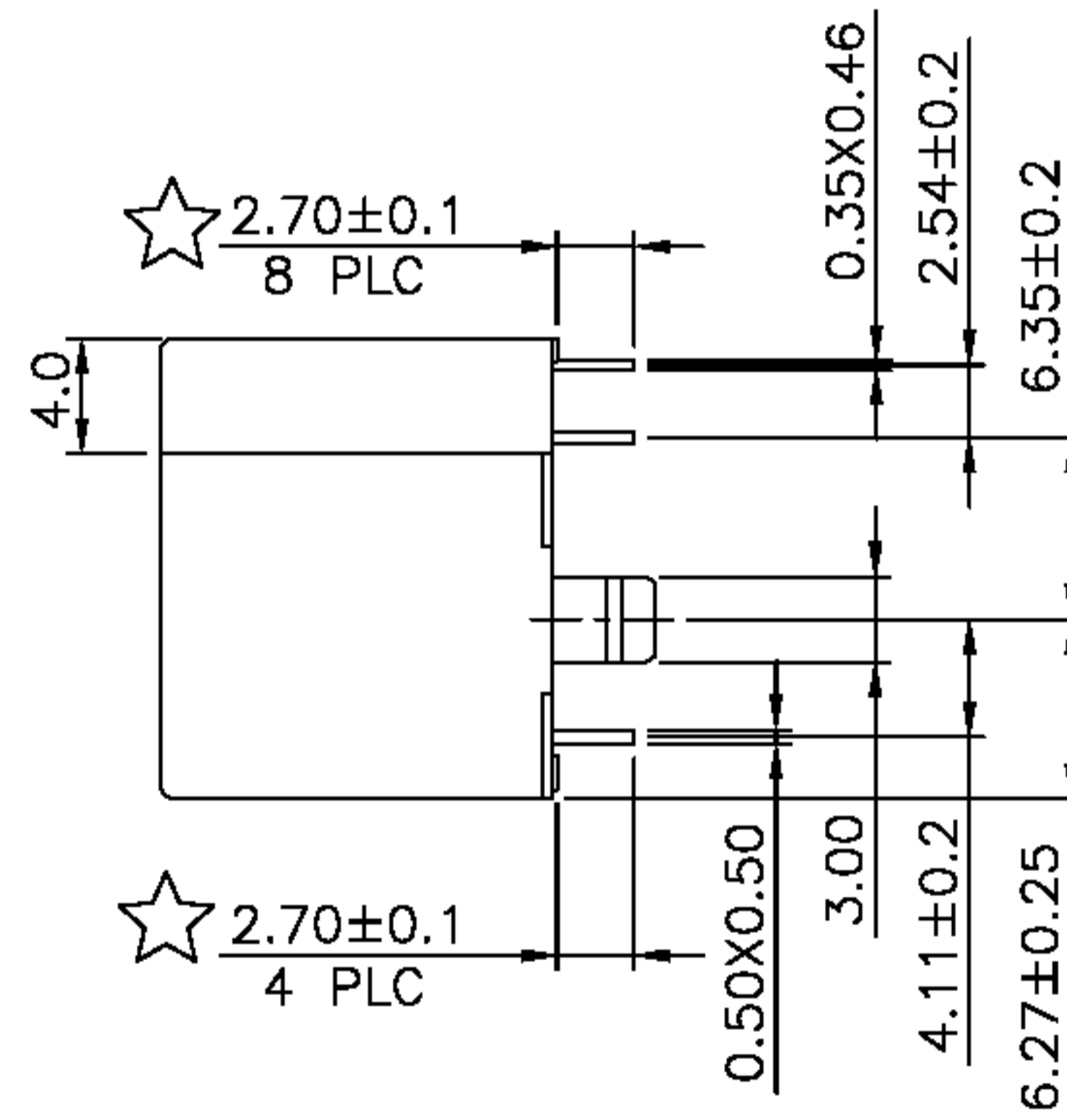
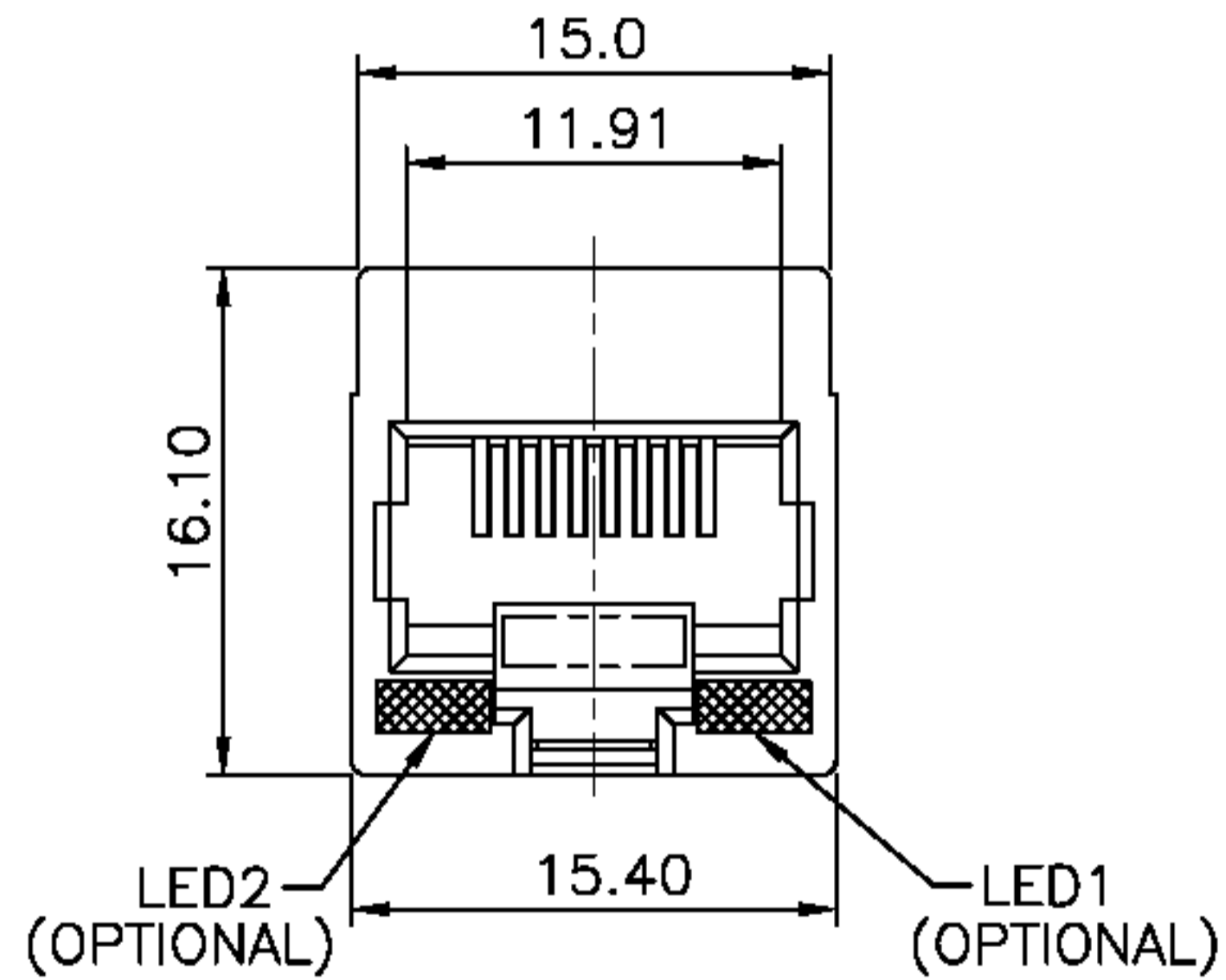


RoHS Compliance



DETAIL X



**PCB LAYOUT (TOP VIEW)
RECOMMENDED**

DO NOT SCALE DRAWING	TOLERANCES UNLESS OTHERWISE NOTED	INCH	MM	DR. <i>M.L.HUANG</i>	DATE APR-10 '08
THIRD ANGLE PROJECTION	LINEAR MM INCH	00 ± 000 ± 0000 ±	0.0 ± 0.25 0.00 ± 0.13 0.000 ± 0.05	CK'D <i>M.CHANG</i>	APR-10 '08
MM INCH	ANGLE ± 0° 30'	RADII	+ 0.40 - 0.15	APP'D <i>W.J.YANG</i>	APR-11 '08

淮洋有限公司 HUI YANG CO., LTD.
TEL : 886-2-8261-8986 FAX : 886-2-8261-1885
www.hy1688.com.tw 236新北市土城區中央路二段191號10樓之5

TITLE	RJ45, WITH LED'S, SHIELDLESS FLAT PIN, TOP ENTRY PCB JACK		
SCALE	SIZE	DWG.NO.	REV. SHEET
		964404	2 1