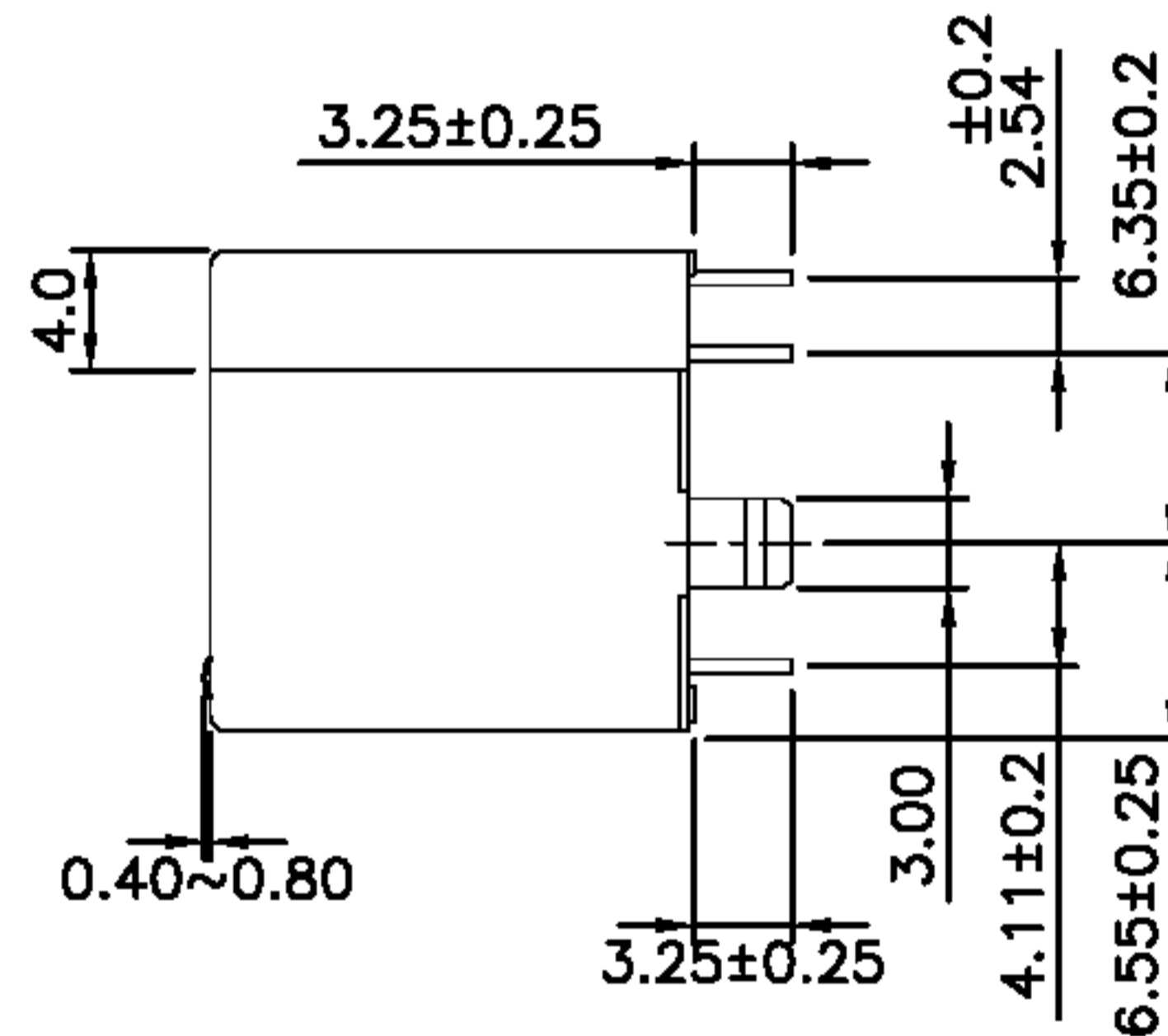
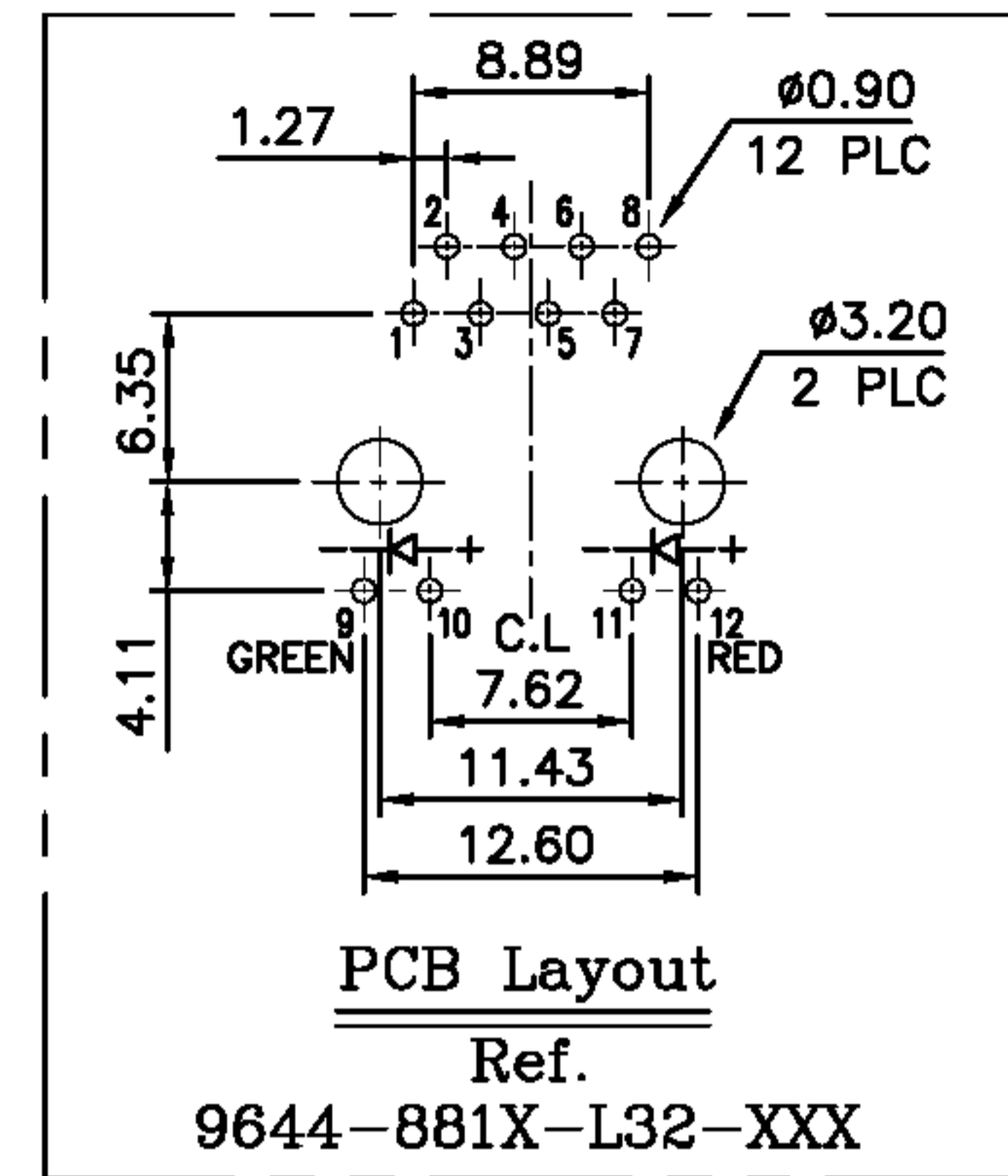
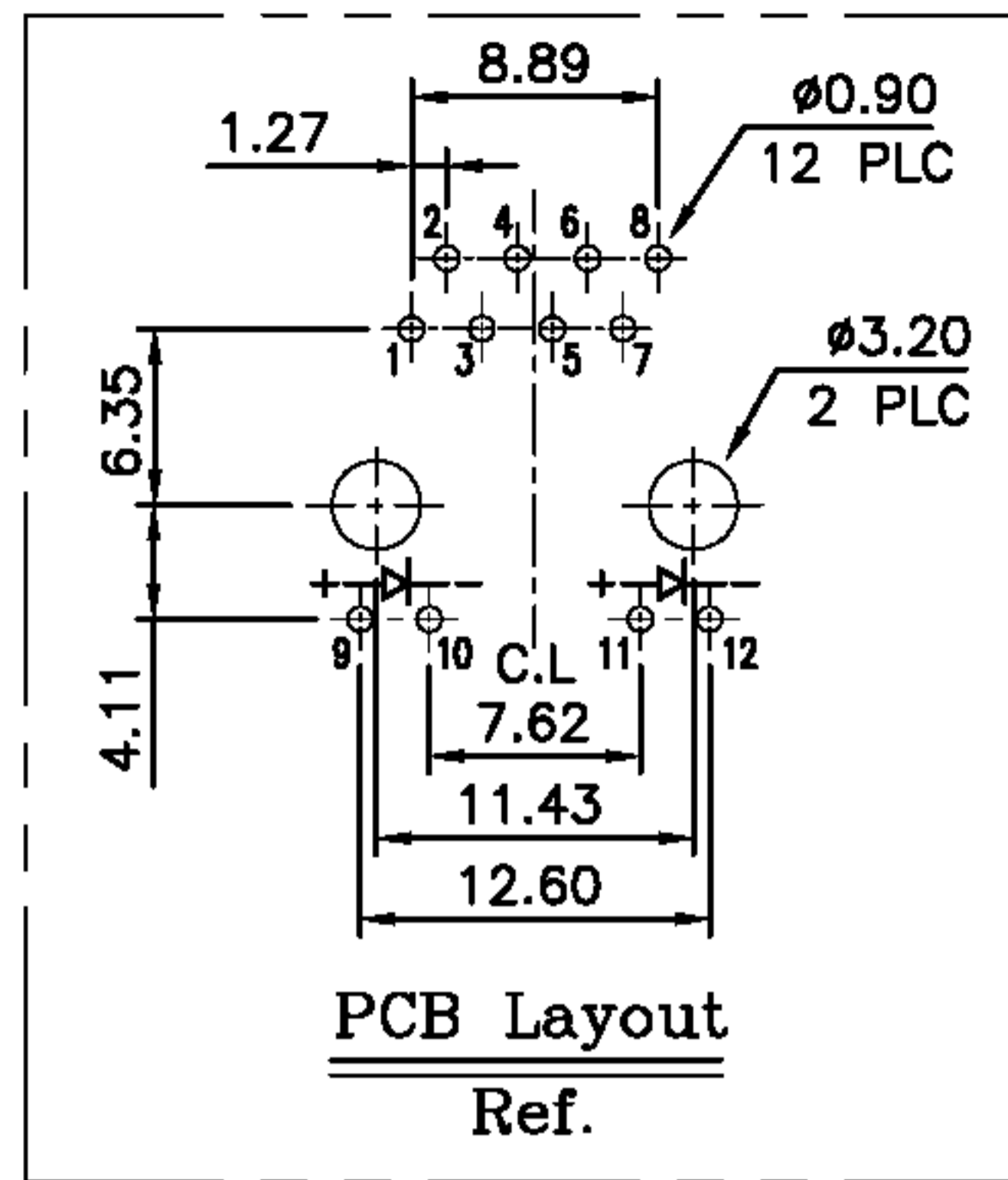
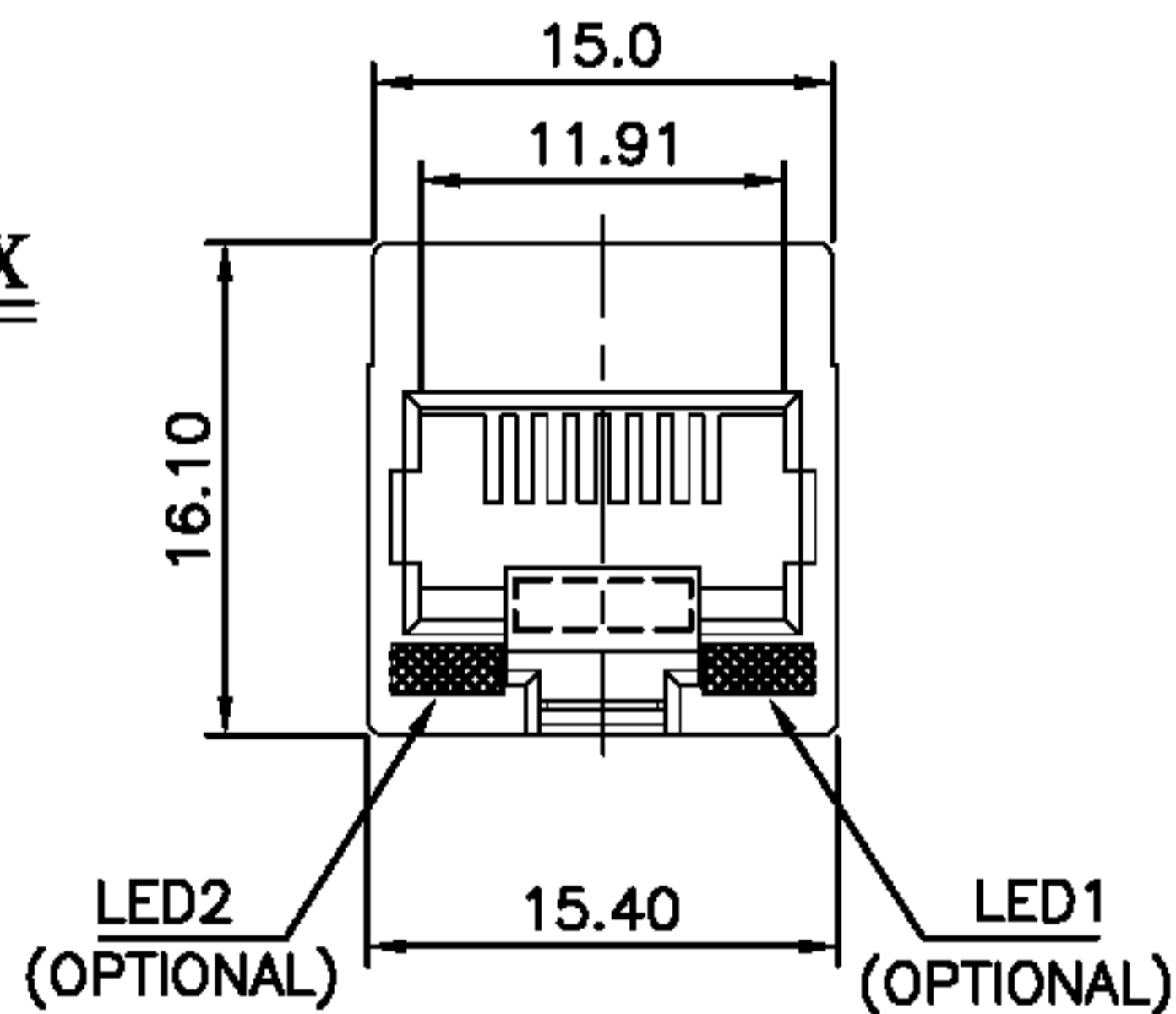
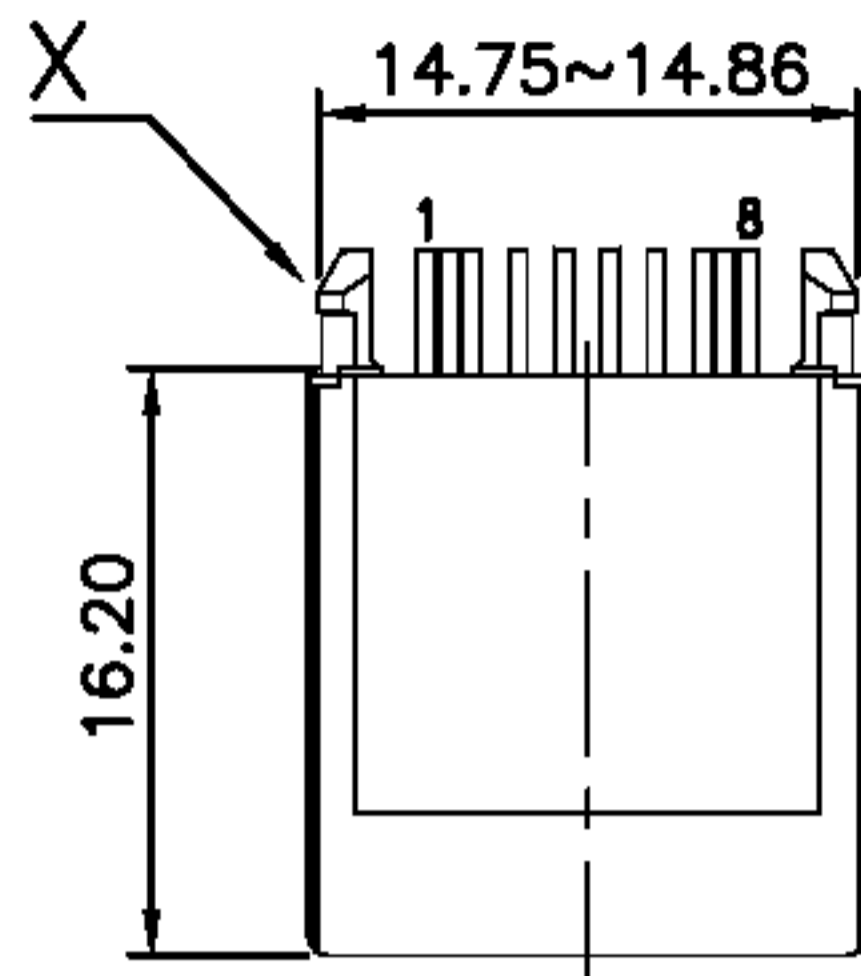


DETAIL X



淮洋有限公司 HUI YANG CO., LTD.

TEL : 886-2-8261-8986 FAX : 886-2-8261-1885
www.hy1688.com.tw 236新北市土城區中央路二段191號10樓之5

TITLE RJ45, WITH LED'S, SHIELDLESS
FLAT PIN, TOP ENTRY PCB JACK

SCALE SIZE DWG.NO. REV. SHEET
964402 7 1

DO NOT SCALE
DRAWING

TOLERANCES UNLESS
OTHERWISE NOTED

INCH

MM

DR.
CIAN.CI.LUO

DATE
JAN-03 '08

THIRD ANGLE PROJECTION

LINEAR $\frac{\text{MM}}{\text{INCH}}$

00 ± .01
000 ± .005
0000 ± .002

0.0 ± 0.25
0.00 ± 0.13
0.000 ± 0.05

CK'D
M.CHANG

JAN-03 '08

MM
INCH

ANGLE ± 0° 30'

RADII

+ 0.40
- 0.15

APP'D
W.J.YANG

JAN-05 '08

SCALE SIZE DWG.NO.

964402

REV.

7

SHEET

1