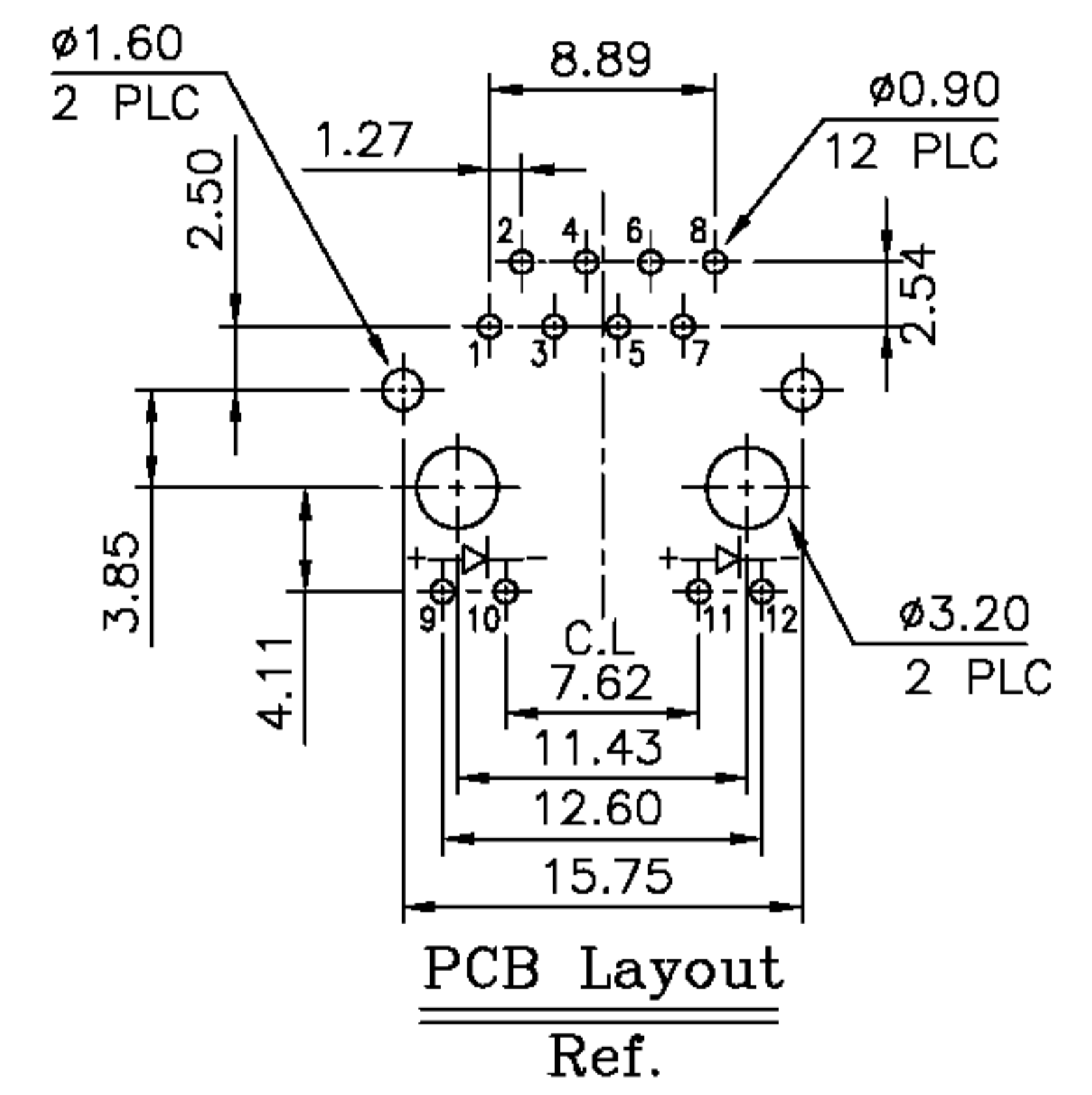
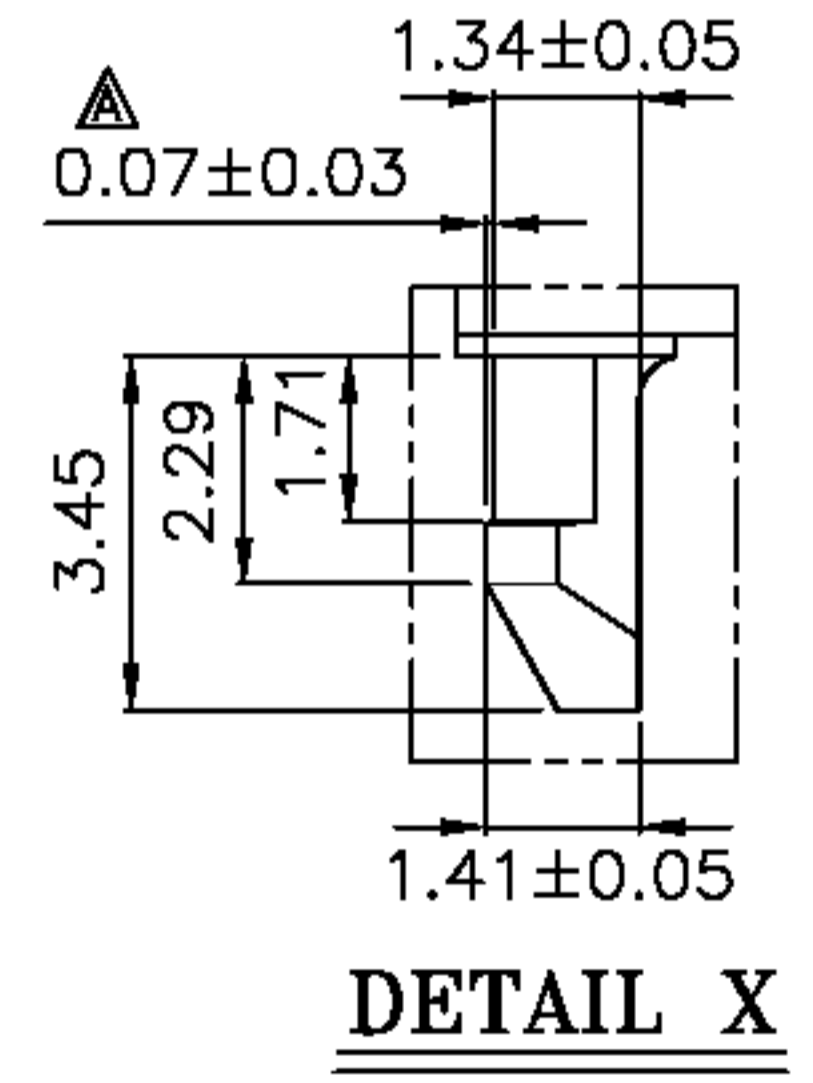
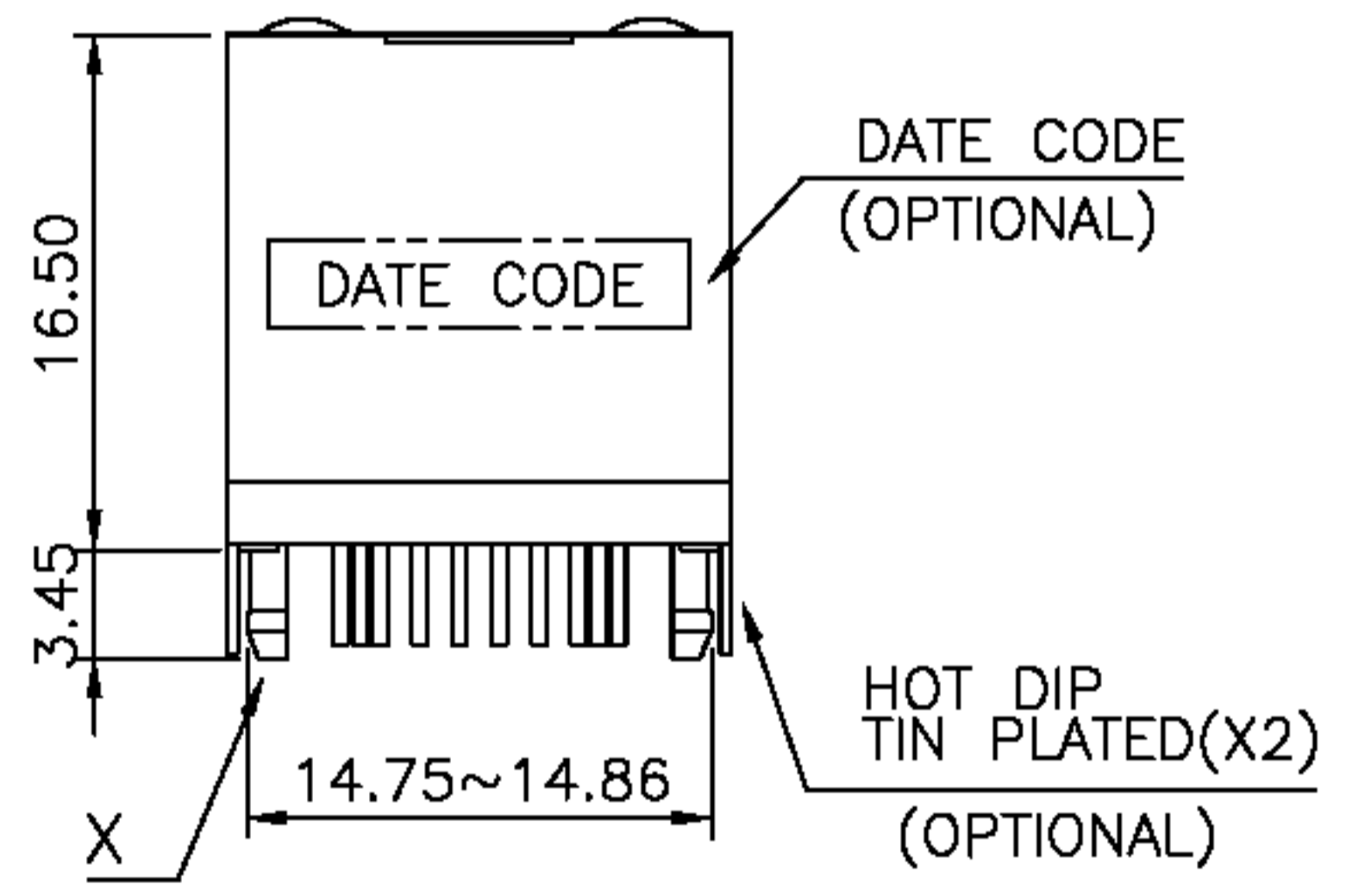


REVISIONS			
LTR	DESCRIPTION	DATE	APP
△	0.70±0.03	08/21/03	CHANG



DO NOT SCALE DRAWING		TOLERANCES UNLESS OTHERWISE NOTED		DR. DATE		淮洋有限公司 HUI YANG CO., LTD. TEL: 886-2-8261-8986 FAX: 886-2-8261-1885 www.hy1688.com.tw 236新北市土城區中央路二段191號10樓之5					
THIRD ANGLE PROJECTION		LINEAR MM INCH		CK'D <i>M. CHANG</i>		AUG-01 '06		TITLE RJ45, WITH LED'S, SHIELDED FLAT PIN, TOP ENTRY PCB JACK			
MM INCH		ANGLE ± 0° 30'		APP'D <i>W.J. YANG</i>		AUG-02 '06		SCALE SIZE DWG.NO. 964401		REV. 9	SHEET 1
		INCH MM		DR. DATE <i>M.L. HUANG</i> AUG-01 '06							
		00 ± .01 000 ± .005 0000 ± .002		0.0 ± 0.25 0.00 ± 0.13 0.000 ± 0.05							
		RADII		± 0.40 - 0.15							