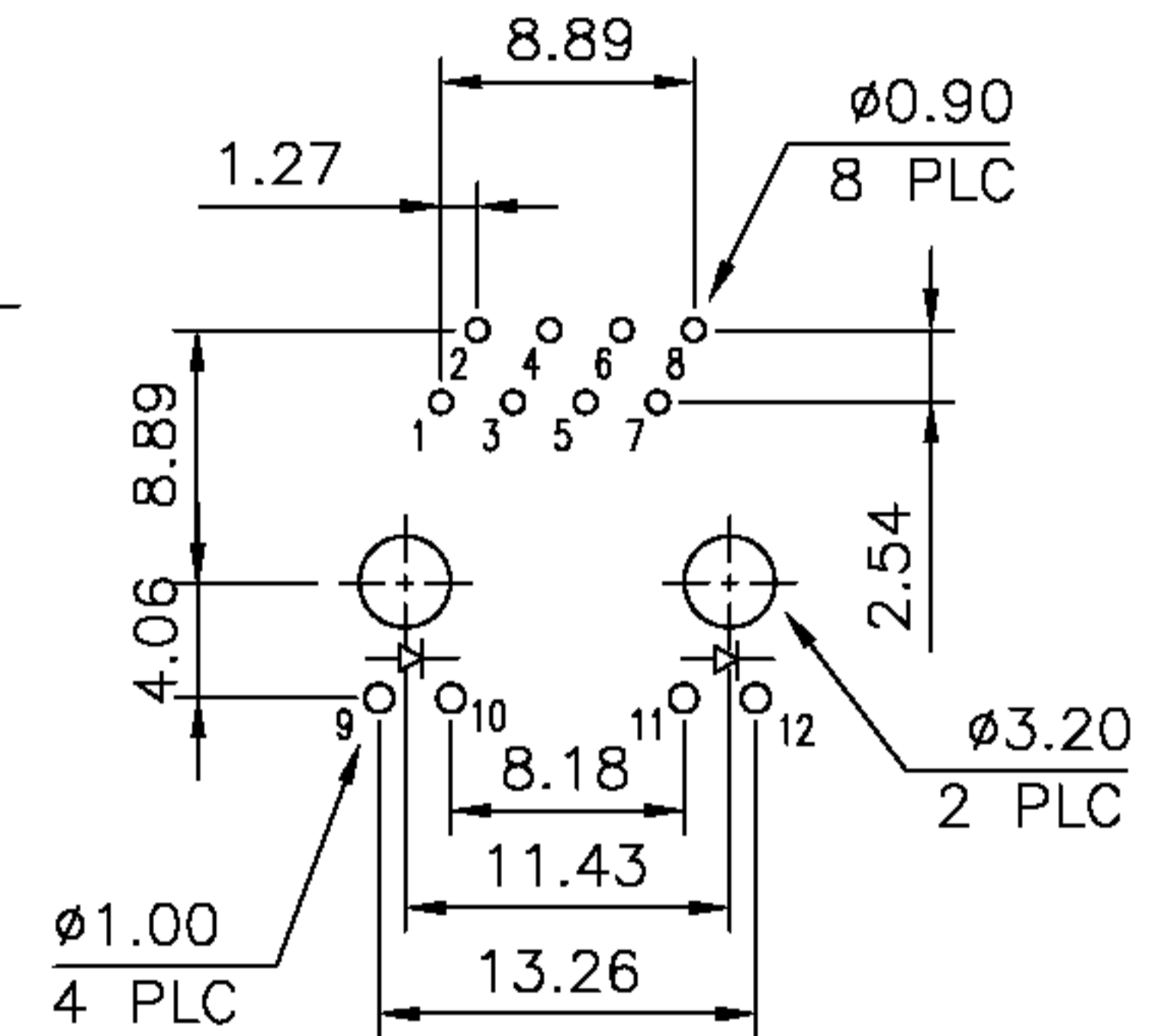
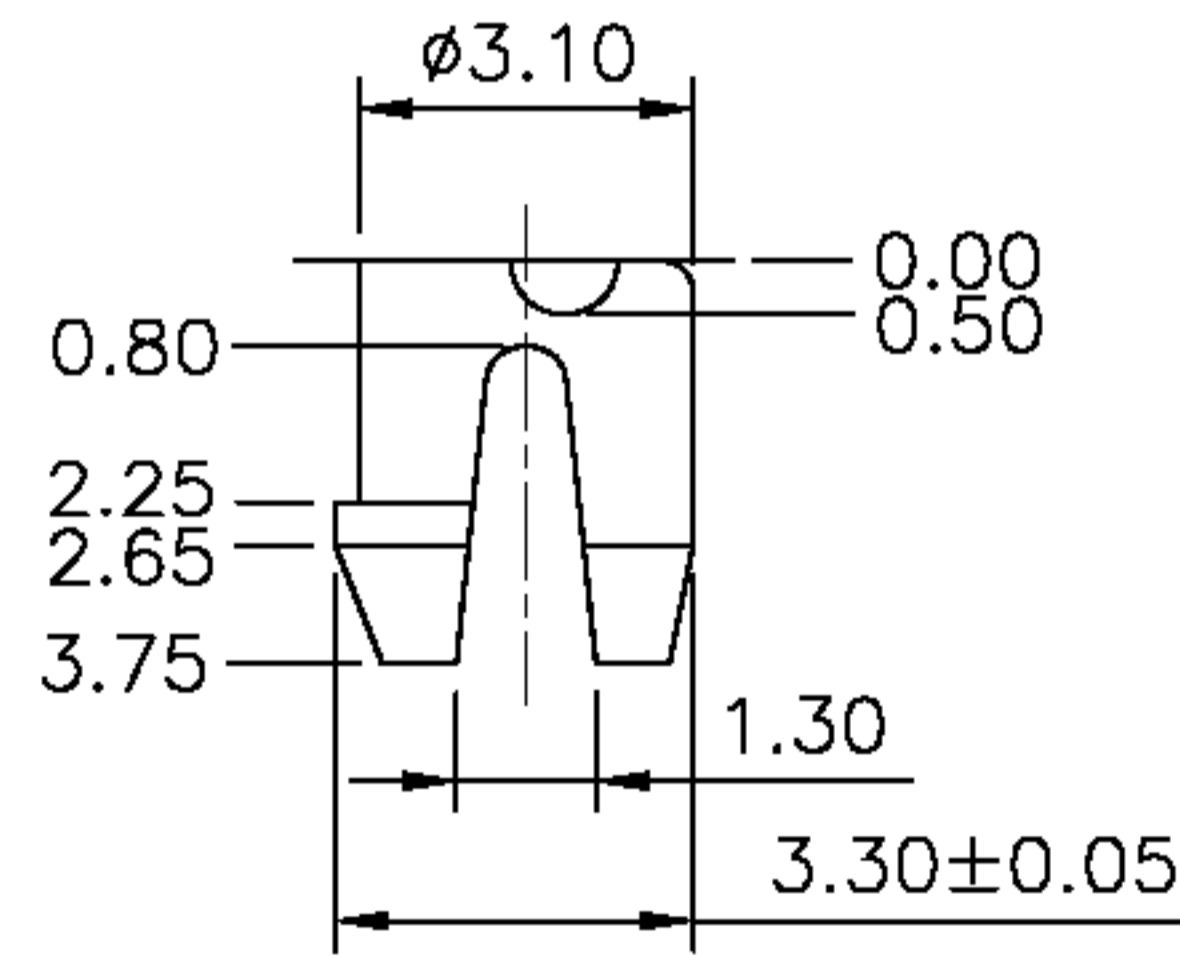
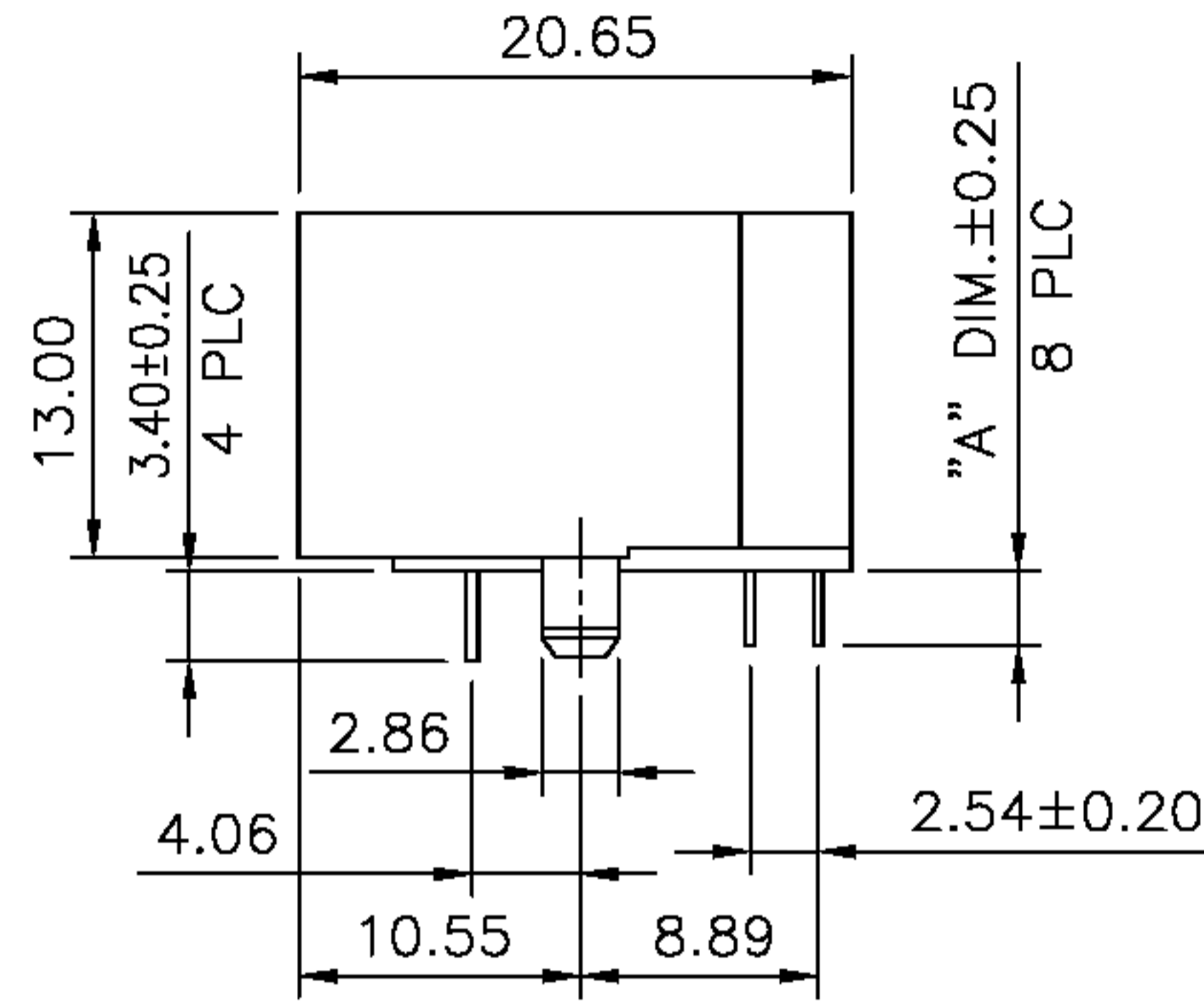
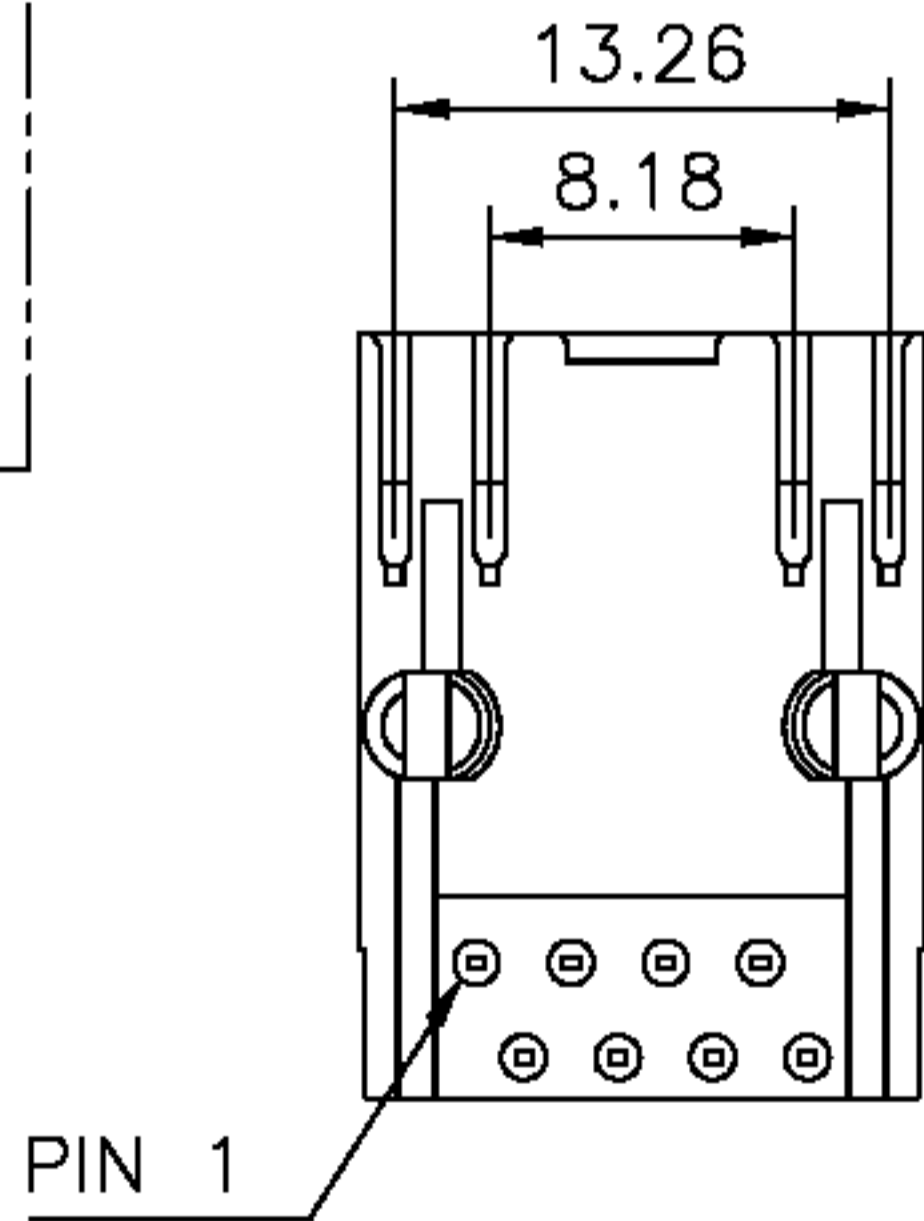
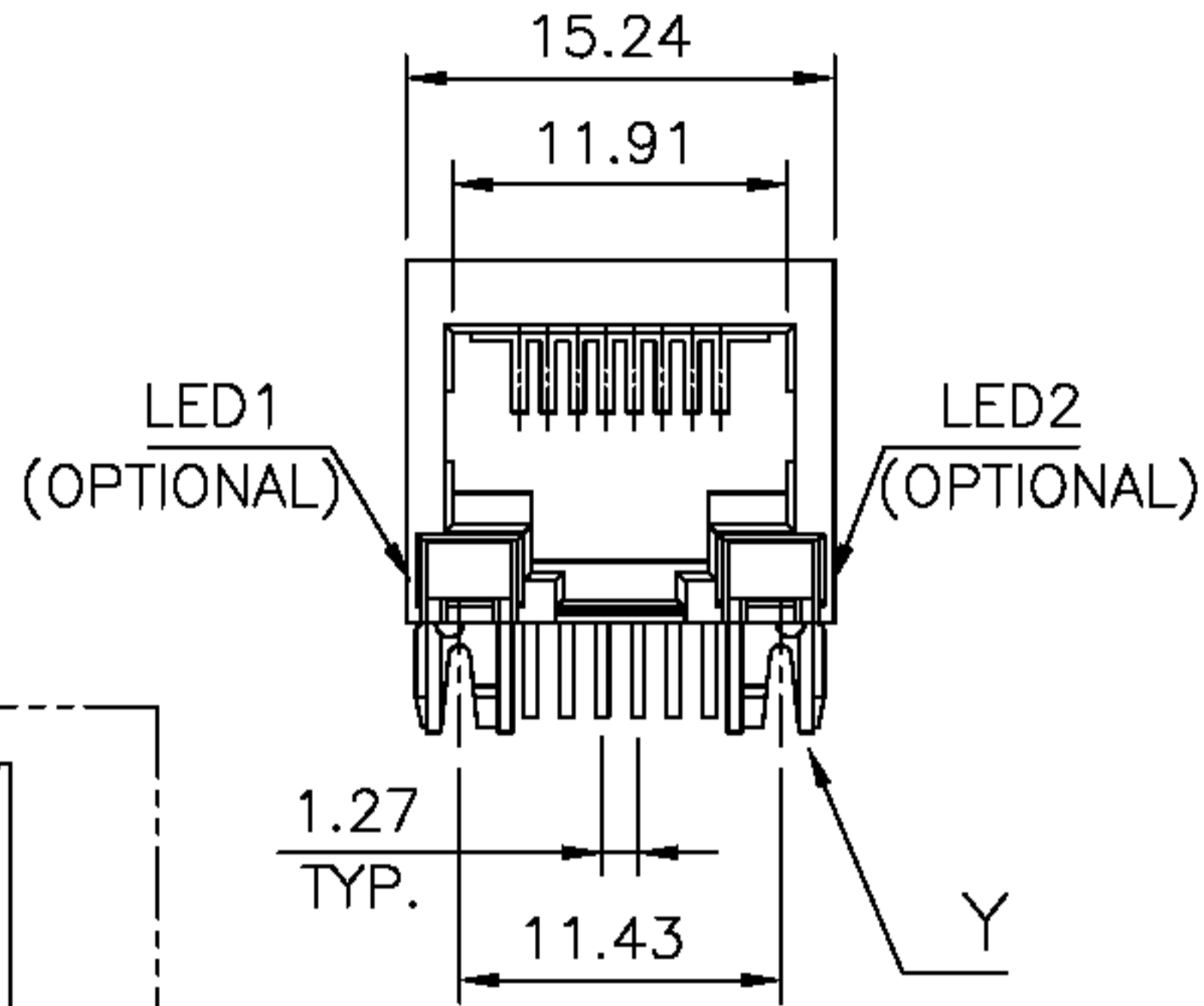
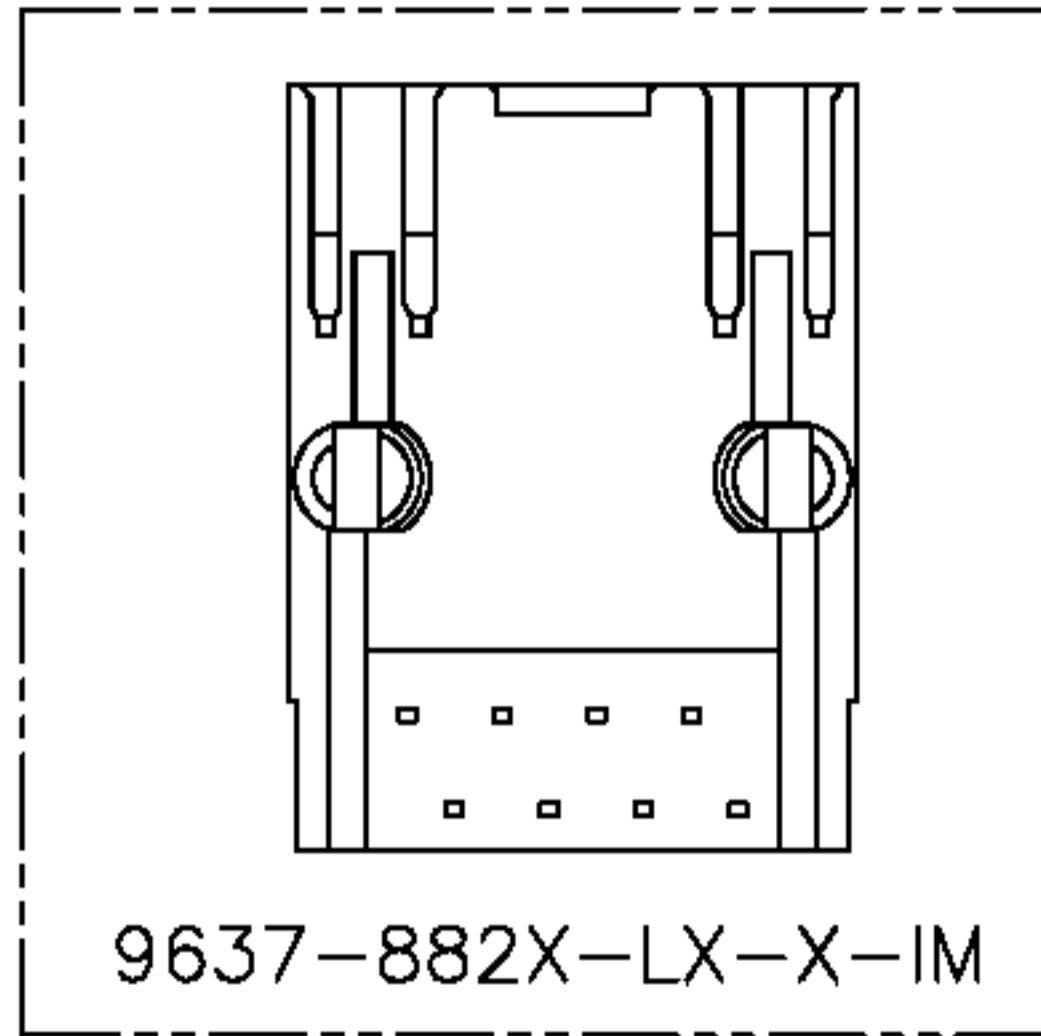


RoHS Compliance



DO NOT SCALE DRAWING	TOLERANCES UNLESS OTHERWISE NOTED	INCH	MM	DR. <i>M.L.HUANG</i>	DATE FEB-22 '10
THIRD ANGLE PROJECTION	LINEAR MM INCH	00± 000± 0000±	0.0±0.25 0.00±0.20 0.000±0.10	CK'D <i>M.CHANG</i>	FEB-22 '10
MM INCH	ANGLE ±0° 30'	RADII	+0.40 -0.15	APP'D <i>W.J.YANG</i>	FEB-23 '10

淮洋有限公司 HUI YANG CO., LTD. TEL : 886-2-8261-8986 FAX : 886-2-8261-1885 www.hy1688.com.tw 236新北市土城區中央路二段191號10樓之5			
TITLE SINGLE PORT, RJ45, SHIELDLESS, FLAT PIN, WITH LED'S, SIDE ENTRY PCB JACK			
SCALE	SIZE	DWG.NO.	REV. SHEET
		963704	7 1