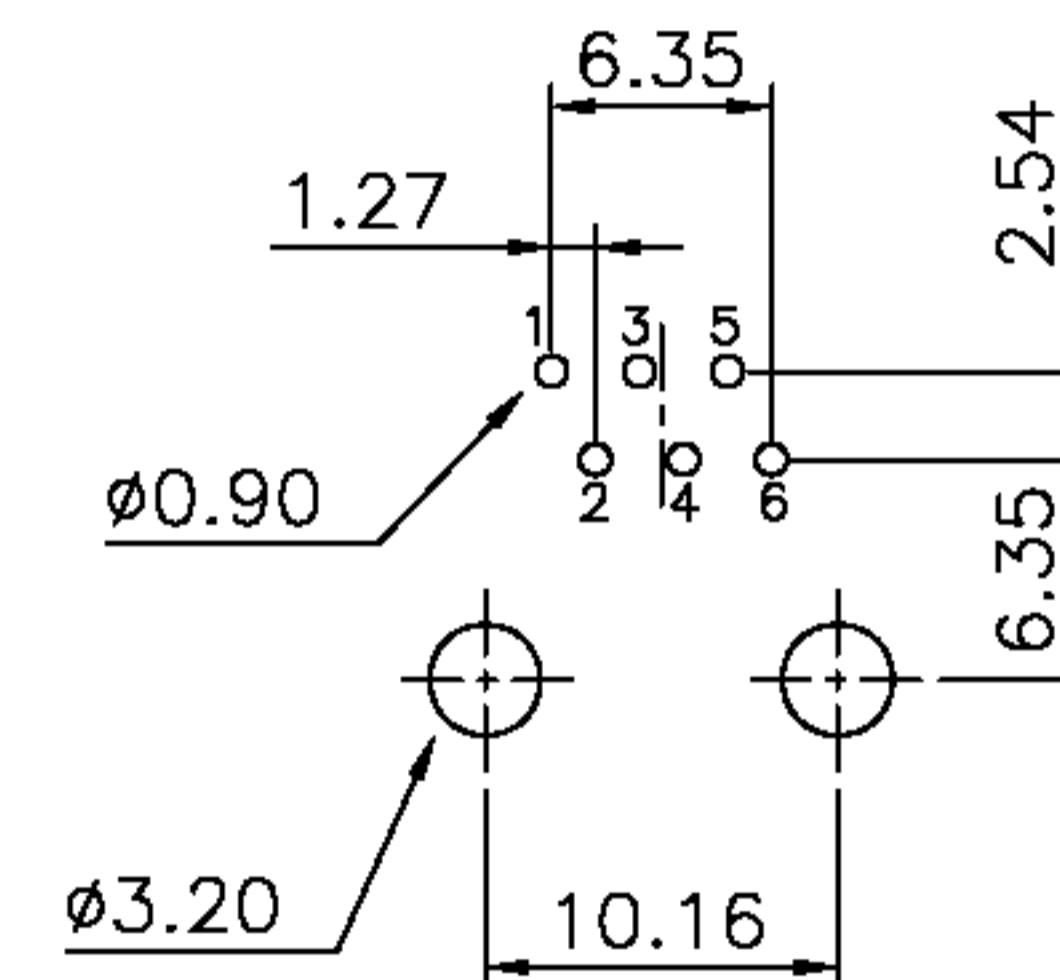
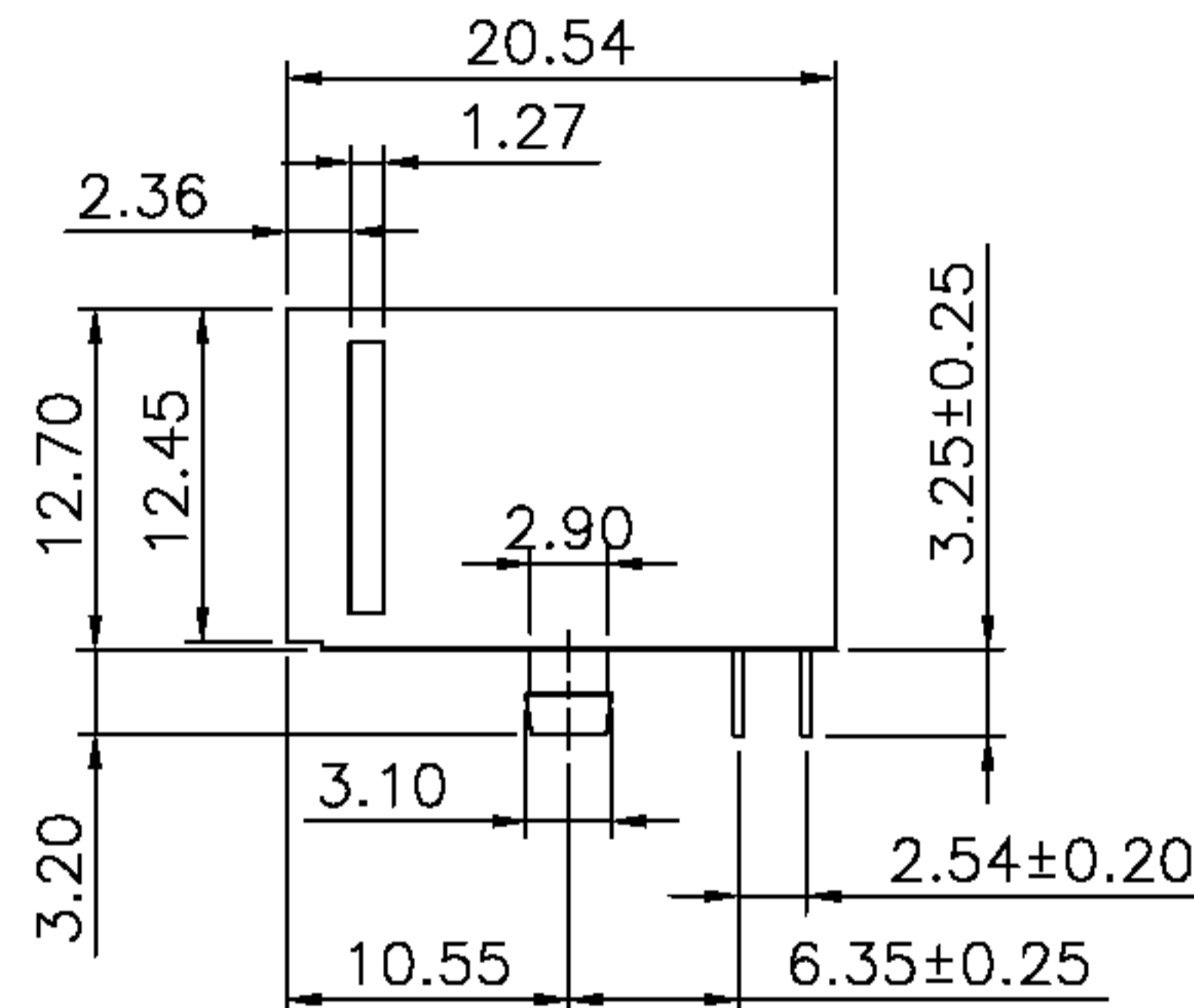
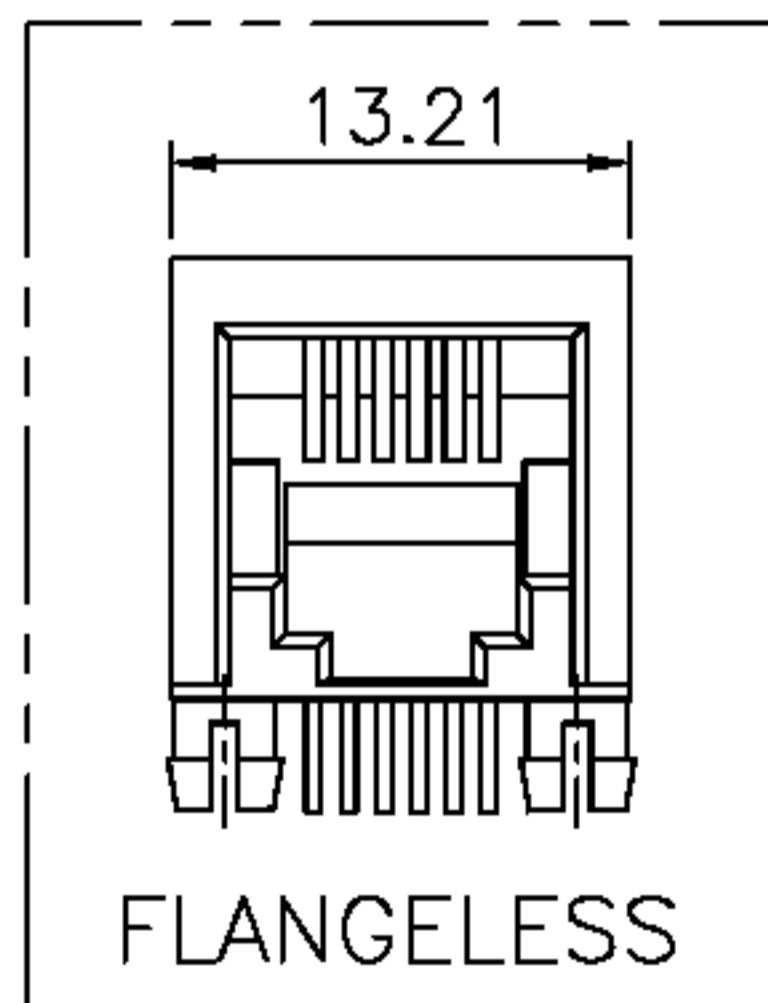
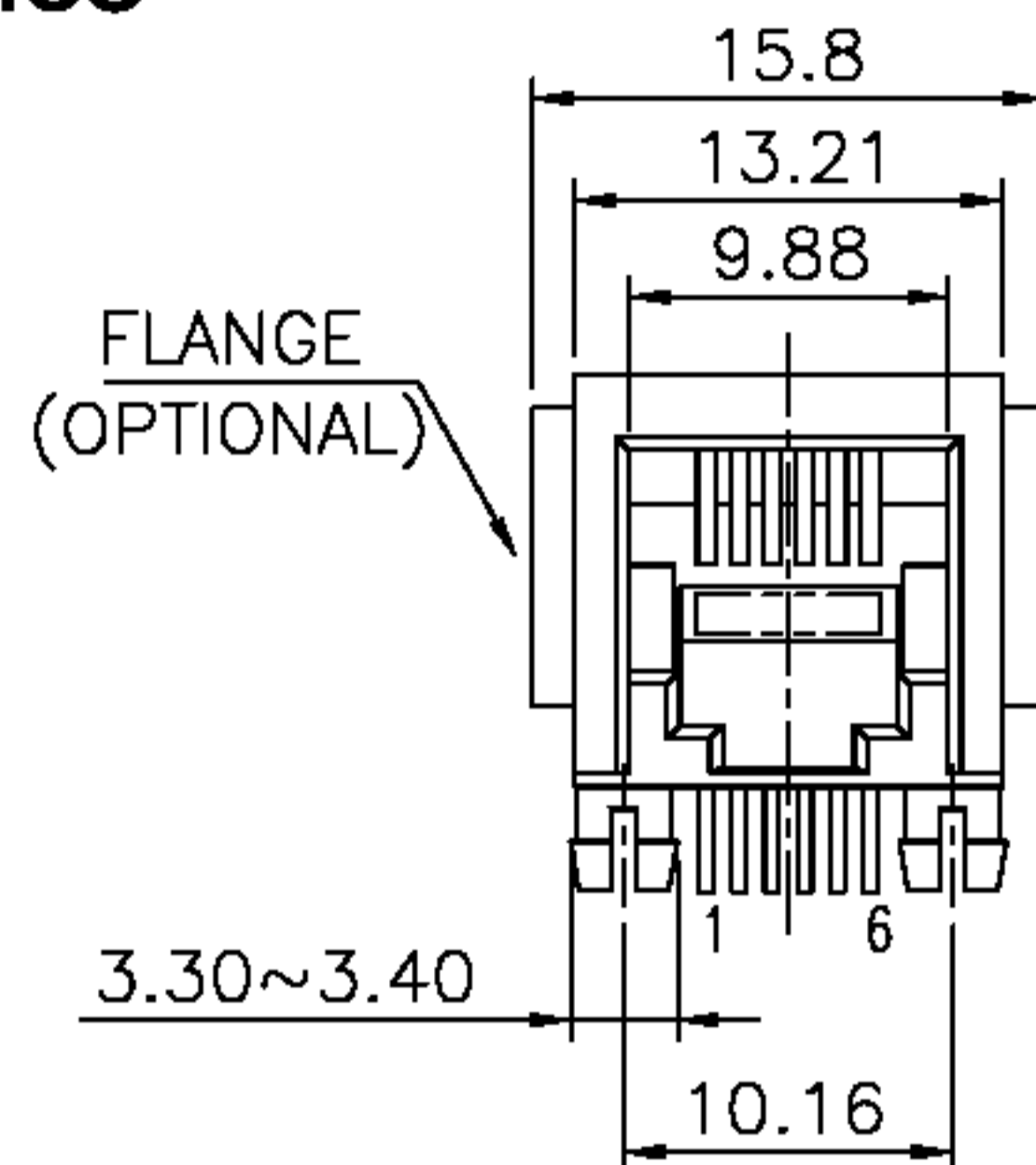
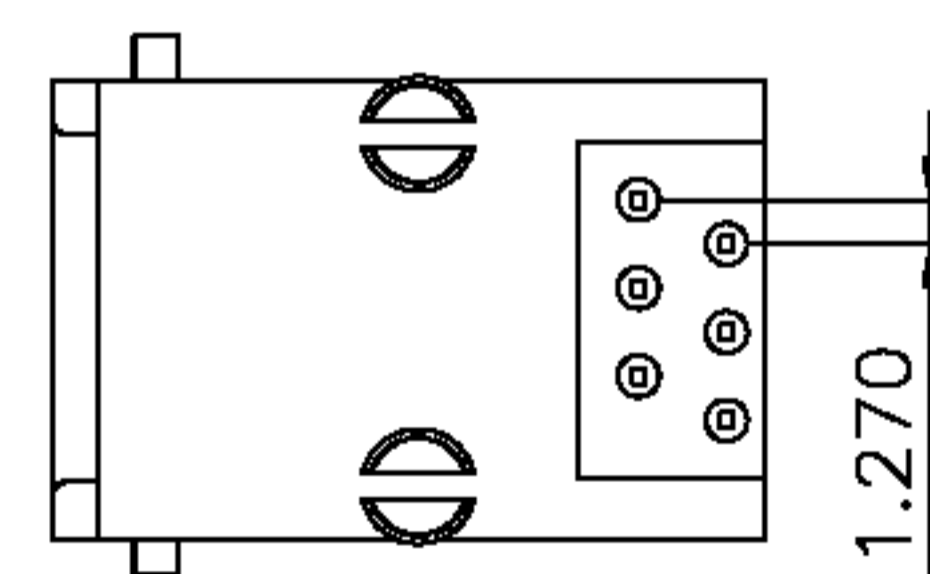


RoHS Compliance



PCB LAYOUT Ref.



淮洋有限公司 HUI YANG CO., LTD.
 TEL : 886-2-8261-8986 FAX : 886-2-8261-1885
 www.hy1688.com.tw 236新北市土城區中央路二段191號10樓之5

| | | | | | | | | | | |
|------------------------|-----------------------------------|---------------------------------------------|---------------------------------------------------|--------------------|--------------------|------------------------------------------------|------|-------------------|-----------|------------|
| DO NOT SCALE DRAWING | TOLERANCES UNLESS OTHERWISE NOTED | INCH | MM | DR. CIAN.CI.LUO | DATE JAN-07 '10 | TITLE RJ11, FLAT PIN SIDE ENTRY PCB JACK | | | | |
| THIRD ANGLE PROJECTION | LINEAR | MM 00 ± .01 000 ± .005 0000 ± .002 | INCH 0.0 ± 0.25 0.00 ± 0.13 0.000 ± 0.05 | CK'D M.CHANG | JAN-07 '10 | SCALE | SIZE | DWG.NO. 963702 | REV. 5 | SHEET 1 |
| MM INCH | ANGLE ± 0° 30' | RADII | + 0.40 - 0.15 | APP'D W.J.YANG | JAN-08 '10 | | | | | |