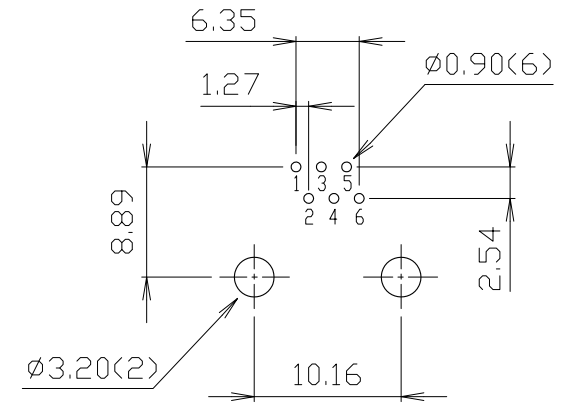
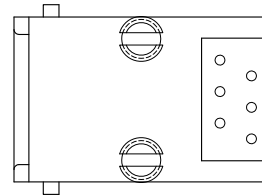
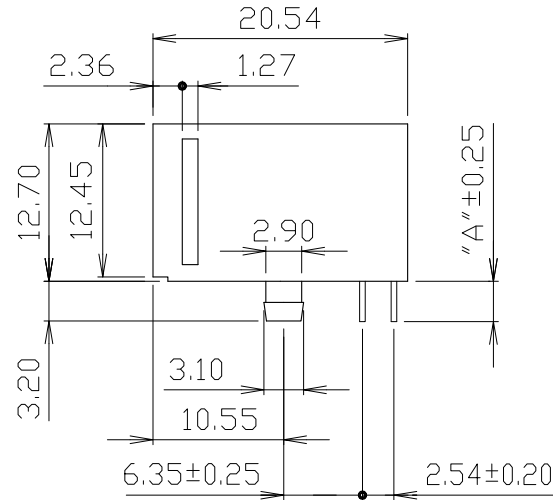
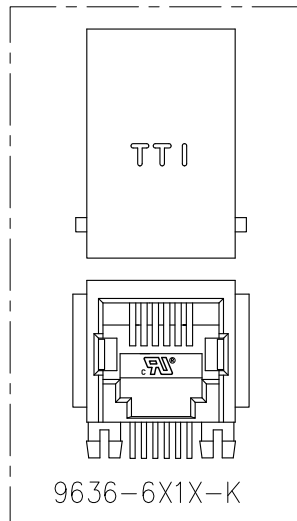
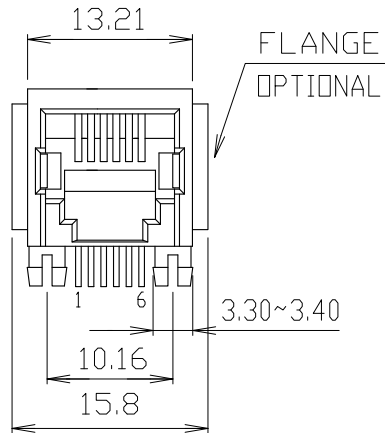
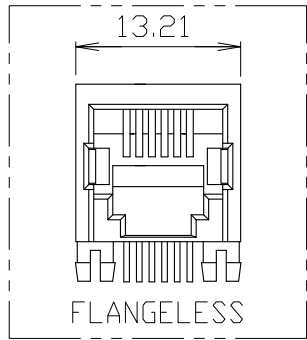


RoHS Compliance



PC Board Layout Ref.

DO NOT SCALE
DRAWING

TOLERANCES UNLESS
OTHERWISE NOTED

INCH

MM

DR.
CIAN.CI.LUO

DATE
JUN-23 '10

淮洋有限公司 HUI YANG CO.,LTD.

TEL : 886-2-8261-8986 FAX : 886-2-8261-1885

www.hy1688.com.tw 236新北市土城區中央路二段191號10樓之5

THIRD ANGLE PROJECTION

LINEAR $\frac{\text{MM}}{\text{INCH}}$

$00 \pm .01$
 $000 \pm .005$
 $0000 \pm .002$

0.0 ± 0.25
 0.00 ± 0.13
 0.000 ± 0.05

CK'D
M.CHANG

DATE
JUN-23 '10

TITLE
RJ11, ROUND PIN,
SIDE ENTRY PCB JACK

MM
INCH

RADII

$+ 0.40$
 $- 0.15$

APP'D
W.J.YANG

DATE
JUN-24 '10

SCALE SIZE DWG.NO.
963602

REV. SHEET
5 1